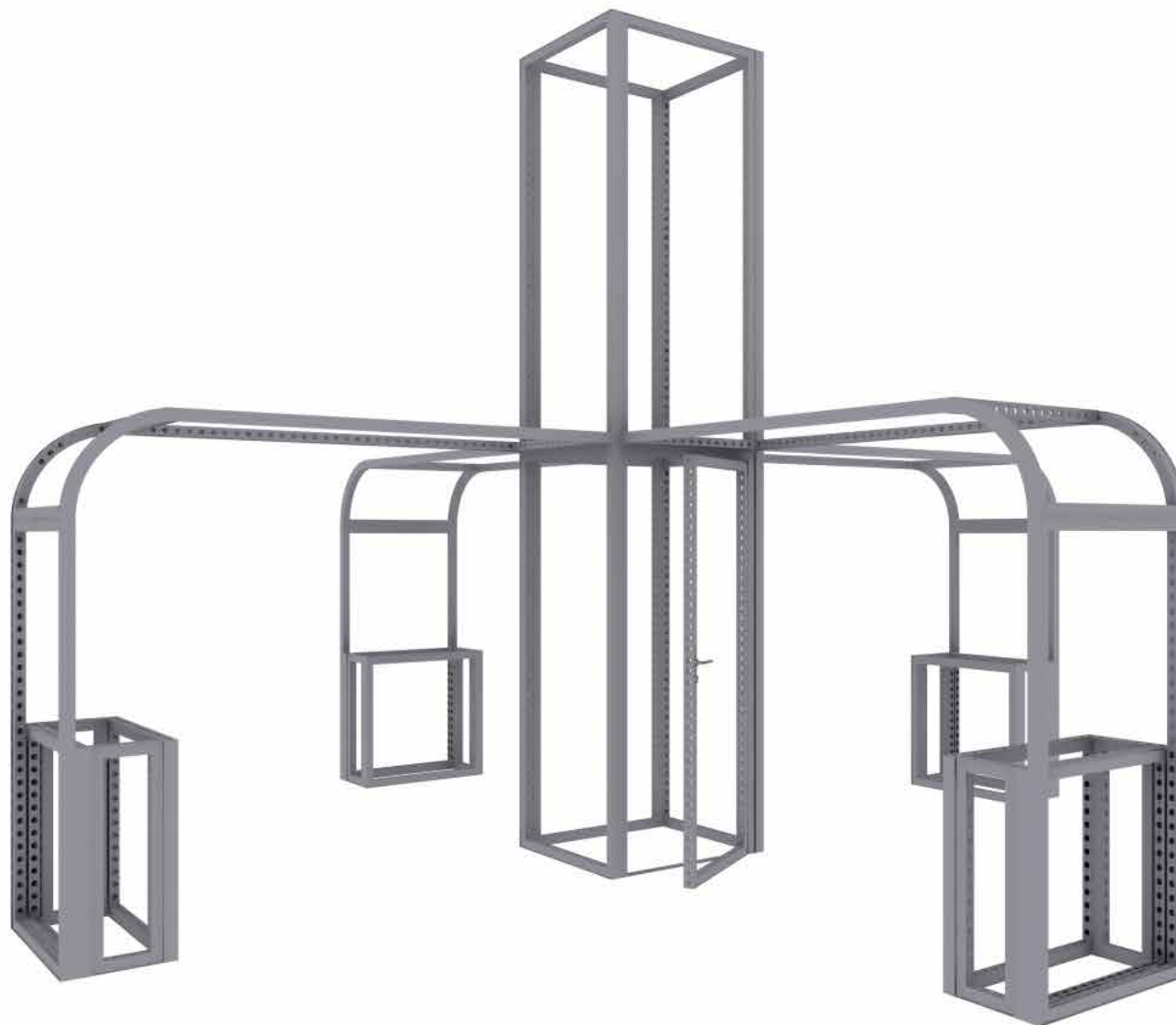
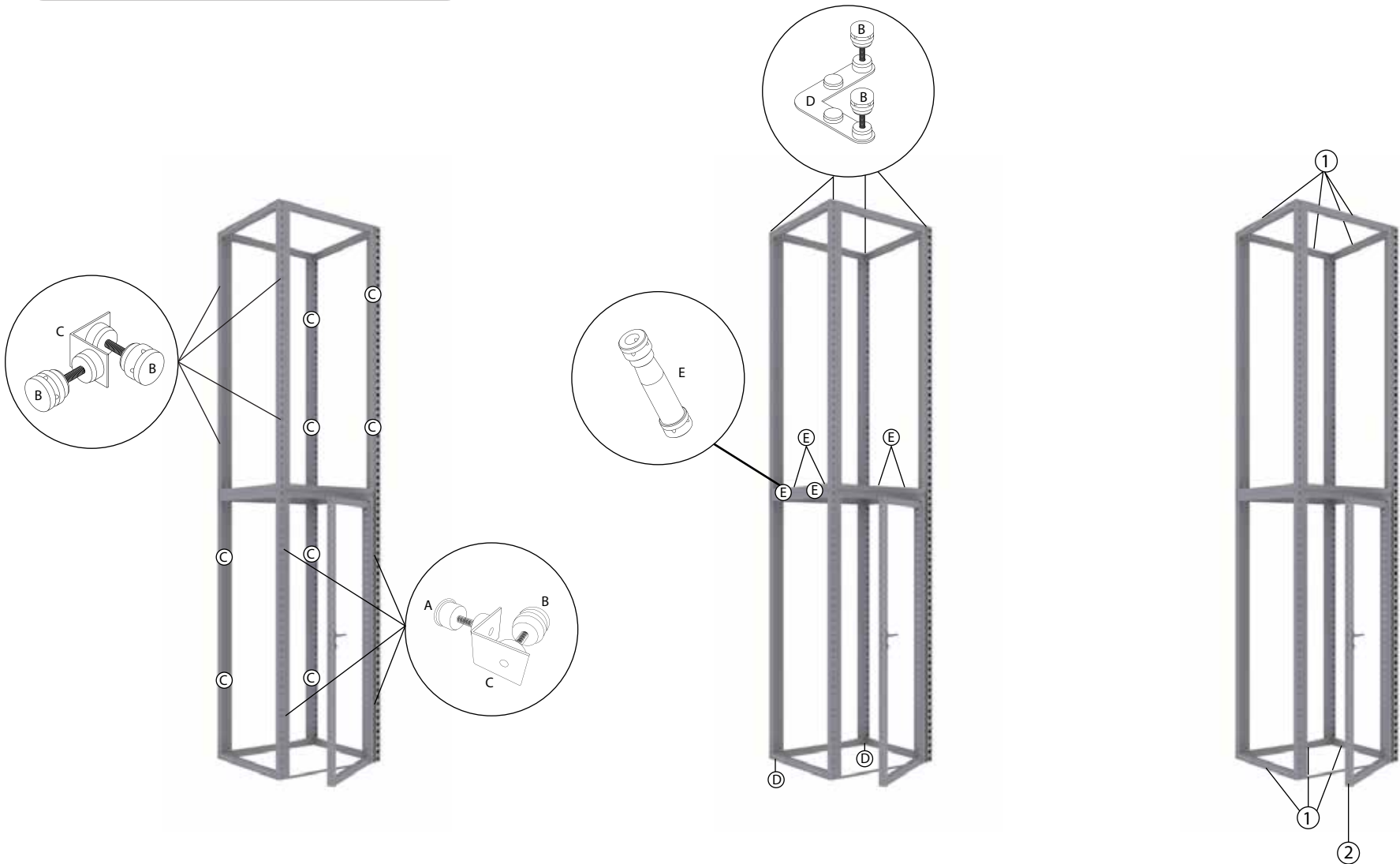


MODCO 5 - 30x30



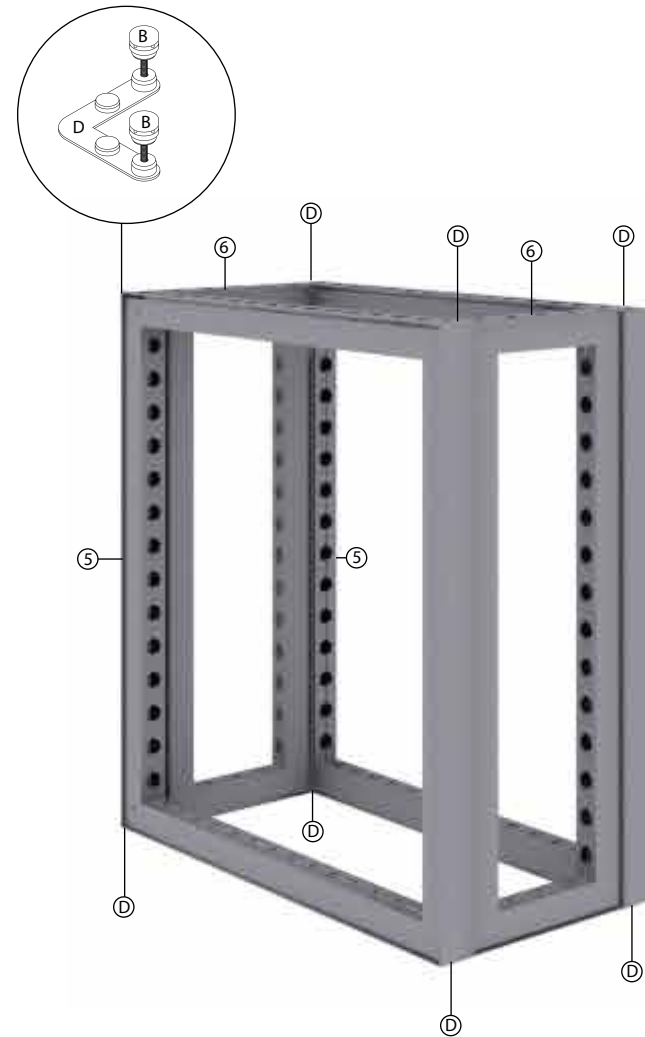
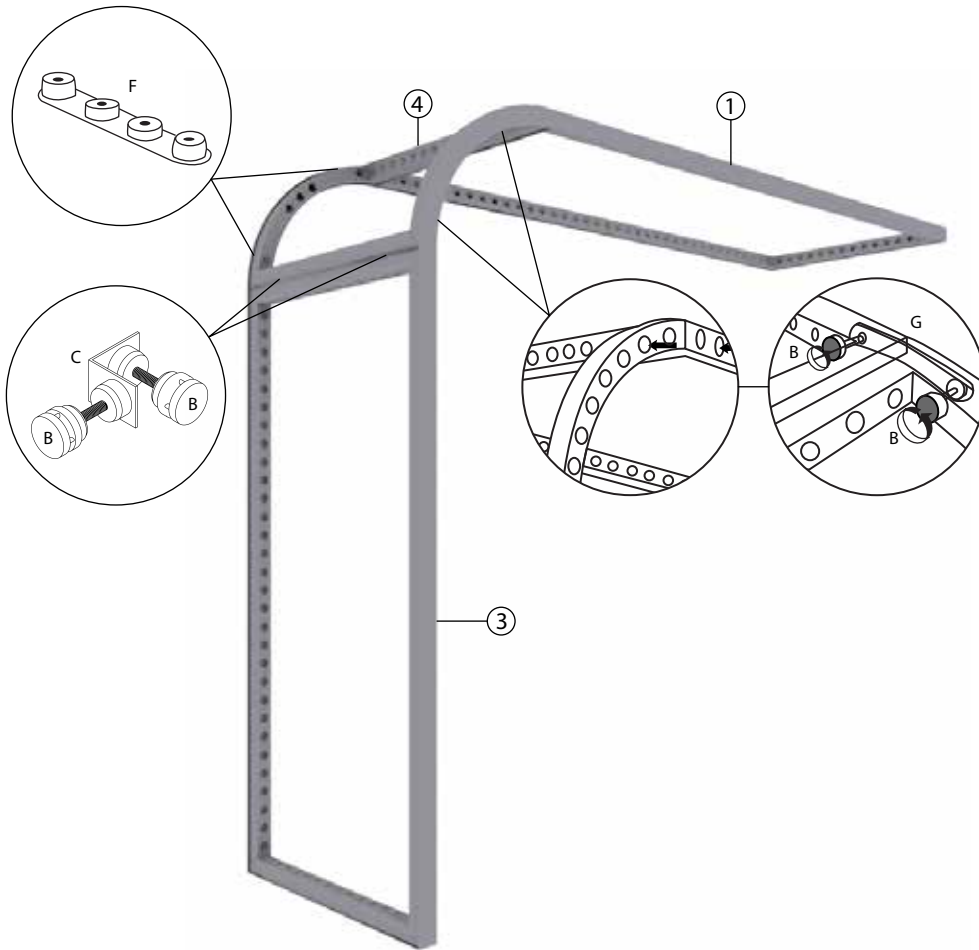
MODCO 5 - 30x30



PARTS LIST (TOWER)

REF	QTY	PART NO.	DESCRIPTION
A	4	MOD-PCWP-A	Pin Connector for Door Jamb
B	44	MOD-PC	Pin Connector
1	7	MOD-FRM-992x2418	Straight Frame, Corner Screw Connect 992mm x 2418mm
2	1	MOD-DSWL-992x2418	Door Set w/ Lock 992mm x 2418mm
C	16	MOD-90D-CON	90° Connector
D	8	MOD-SM90D-CON	Small 90° Connector
E	8	MOD-CLA-CON	Clamp Connector

MODCO 5 - 30x30



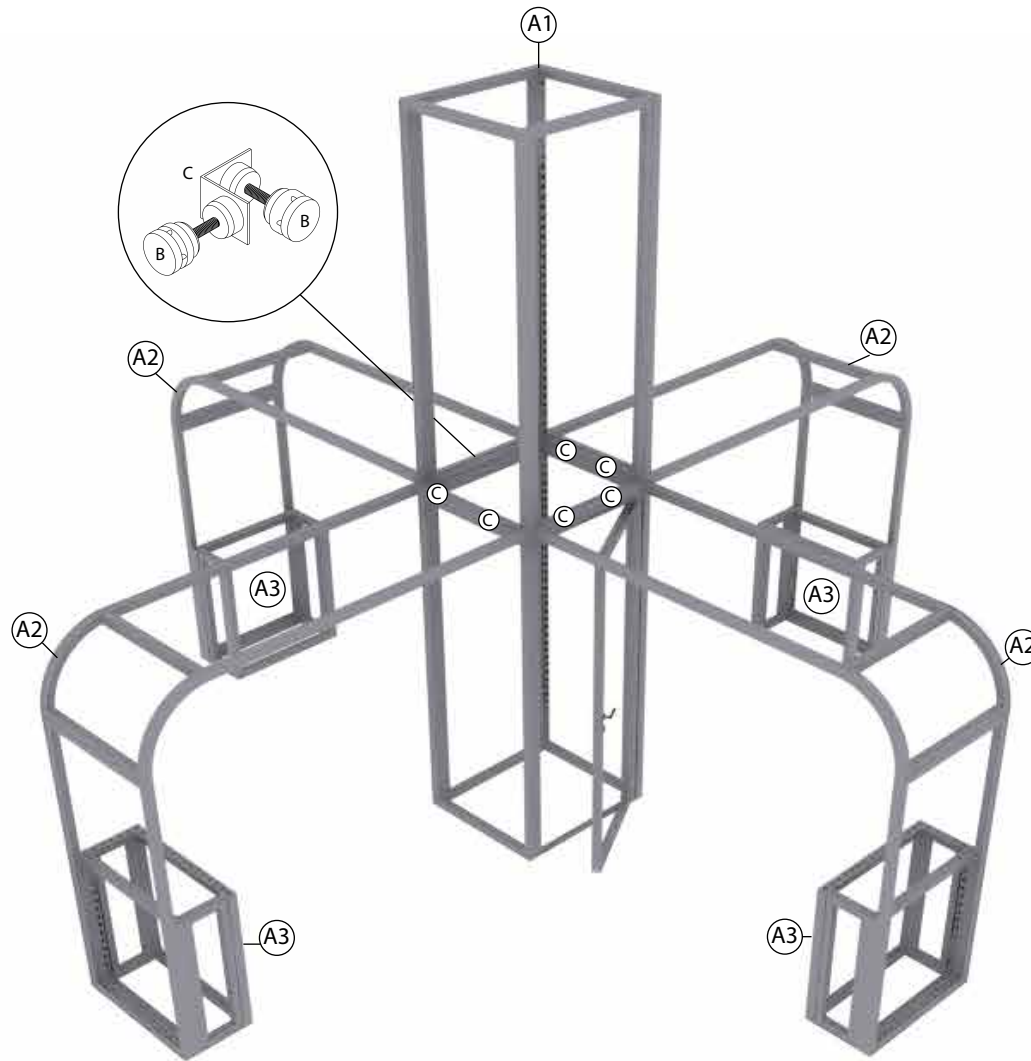
PARTS LIST (ARCH / Qty.4 TOTAL)

REF	QTY	PART NO.	DESCRIPTION
1	4	MOD-FRM-992x2418	Straight Frame, Corner Screw Connect 992mm x 2418mm
3	4	MOD-FRM-992x1984	Straight Frame, Corner Screw Connect 992mm x 1984mm
4	4	MOD-CRVFRM-774x992	1/4 Curved Frame, Welded 774mm x 992mm
B	64	MOD-PC	Pin Connector
C	16	MOD-90D-CON	90° Connector
F	8	MOD-CRV-180DCL	Curve 180 Degree Connector (Left)
G	8	MOD-CRV-180DCR	Curve 180 Degree Connector (Right)

PARTS LIST (COUNTER / Qty.4 TOTAL)

REF	QTY	PART NO.	DESCRIPTION
5	8	MOD-FRM-992x992	Straight Frame, Corner Screw Connect 992mm x 992mm
6	8	MOD-FRM-310x992	Straight Frame, Corner Screw Connect 310mm x 992mm
D	8	MOD-SM90D-CON	Small 90° Connector
B	16	MOD-PC	Pin Connector

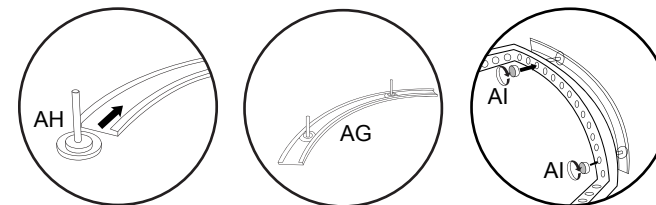
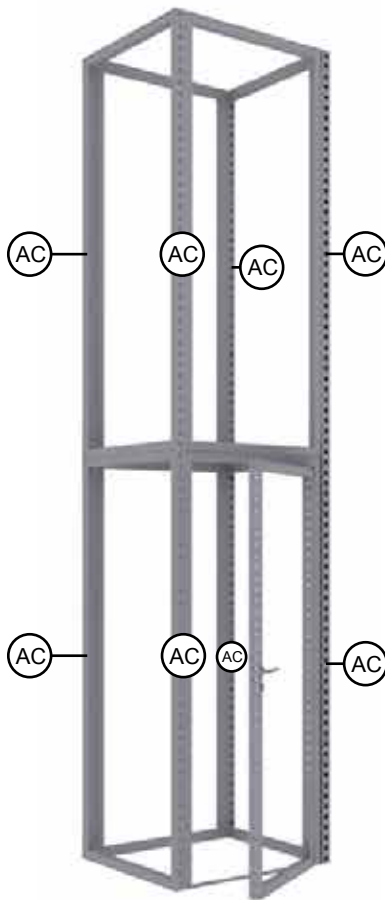
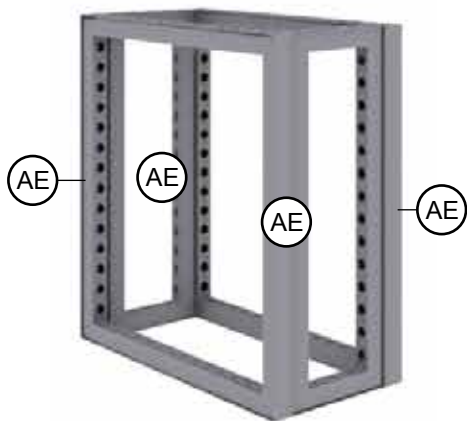
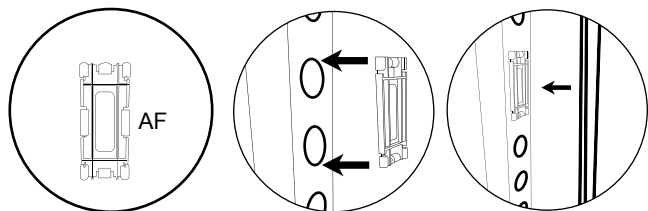
MODCO 5 - 30x30



COMPLETE BUILD

REF	QTY	PART NO.	DESCRIPTION
A1	1	N/A	TOWER
A2	4	N/A	ARCH
A3	4	N/A	COUNTER (DOES NOT CONNECT TO ARCH)
C	8	MOD-90D-CON	90° Connector
B	16	MOD-PC	Pin Connector

MODCO 5 - 30x30



COVER PROFILES			
REF	QTY	PART NO.	DESCRIPTION
AC	8	MOD-CP-992x2418	Cover Profile for Frame 992x2418. Flat Model. Anodized
AF	36	MOD-CC	Clip Connector Cover Connects Cover Profile
AE	4	MOD-CP-3100 (39")	39" Cover Profile, Bar Per 3100mm Cover Profile. Flat Model. Anodized
AE	2	MOD-CP-3100 (78")	78" Cover Profile, Bar Per 3100mm Cover Profile. Flat Model. Anodized
AG	8	MOD-CP-774	Curved Cover profile 774mm(R1/4)
AH	16	MOD-PCWP-B	Pin connector(use with profile cover)
AI	16	MOD-SN-28MM	28mm screw nut

GRAPHIC SIZES	PANEL	SIZE	QTY
	A	40.125"W x 79.125"H	8
	B1	40.125"W x 96.25"H	15
	G	40.125"W x 40.125"H	8
	O	35.25"W x 94.375"H	1
	M	13.25"W x 40.125"H	8
	Q1	39.625"W x 31"H	4
	Q2	39.625"W x 27.75"H	4
TOTAL PRINTS		48	

GRAPHIC MATERIAL

Stretch Fabric w/Integrated Block Out

GRAPHIC FINISHING

Silicone beading is sewn around the perimeter of the fabric graphic. Silicone beading is hidden from view once installed.

DISPLAY CONSTRUCTION

Aluminum frame and components

SHIPPING WEIGHTS & DIMENSIONS (FREIGHT ONLY)

Shipping Weight	999lbs (frame & graphics in crate)
Shipping Dimensions	104"L x 40"W x 44"H (crate size)

GRAPHIC TURN AROUND TIME

5 business days after proof approval

