

# MODify Pedestal 02

MODify™ is a one-of-a-kind Modular Merchandising System that is made up of interchangeable fixtures and accessories that can be easily assembled, disassembled, and rearranged to create a variety of different display configurations. The MODify system incorporates SEG push-fit fabric graphics that enable you to brand, promote and merchandise with ease.

The MODify Pedestal 02 is a free-standing retail display designed to highlight merchandise and incorporate branding on the SEG push-fit graphics, which can be changed out easily for messaging changes and promotions.



We are continually improving and modifying our product range and reserve the right to vary the specifications without prior notice. All dimensions and weights quoted are approximate and we accept no responsibility for variance. E&OE. See Graphic Templates for graphic bleed specifications

## features and benefits:

- 16"W x 25"H x 16"D
- Wood top comes in white, black, natural or gray wood grain
- Four SEG push-fit graphics
- Extrusion based frame

## dimensions:

### Hardware

Assembled unit:

16"W x 25"H x 16"D  
406.4mm(w) x 635mm(h) x 406.4mm(d)

Approximate Weight:  
21 lbs / 9.52544 kg

### Shipping

Packing case(s):  
1 Box

Shipping dimensions:  
(38" L x 6" H x 6" D)  
965.2mm(l) x 152.4mm(h) x 152.4mm(d)

Approximate shipping weight:  
29 lbs / 13.1542 kg

### Graphics

Graphic material: Dye-sublimated fabric

See graphic templates for graphic sizes.

Refer to related graphic templates for more information Visit:

<https://www.theexhibitorshandbook.com/downloads/download-graphic-templates>  
or click here

## additional information:

Powder coat color options:



Wood laminate color options:



# MODify Accessories

All Accessories available in white, black, or silver

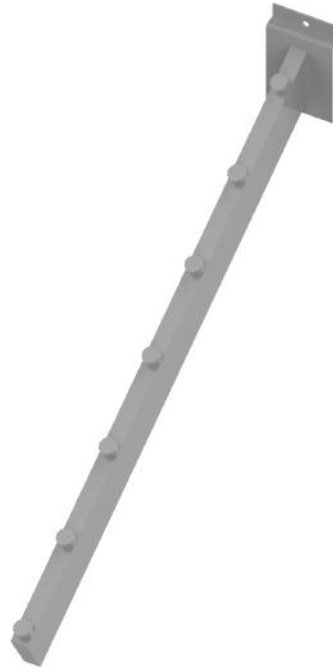
## Slotwall Accessories



MFY-SLT-HK  
4", 6", 8", 10" & 12"



MFY-SLT-FC  
6", 8", 10" & 12"



MFY-SLT-WTR-16-7

## U-Bar Accessories



MFY-TWL-FC  
6", 8" & 10"

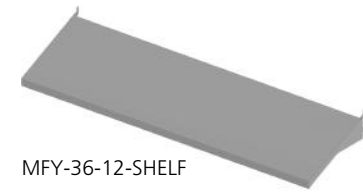


MFY-UBR-FC  
6", 8" & 10"

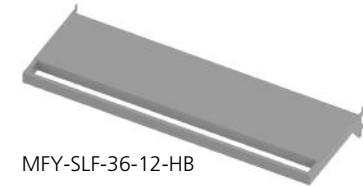


MFY-CSTR-4-PK

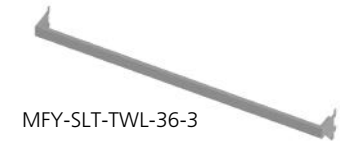
## Shelf and Hanger Bars



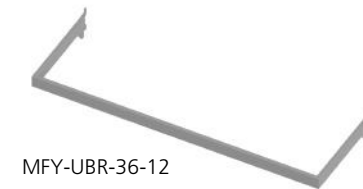
MFY-36-12-SHELF



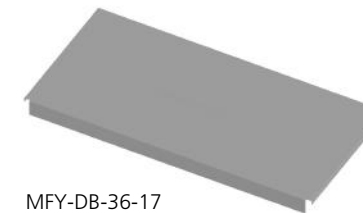
MFY-SLF-36-12-HB



MFY-SLT-TWL-36-3



MFY-UBR-36-12



MFY-DB-36-17

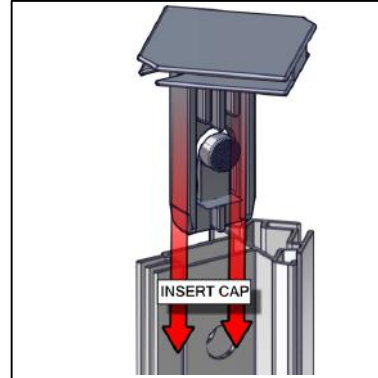
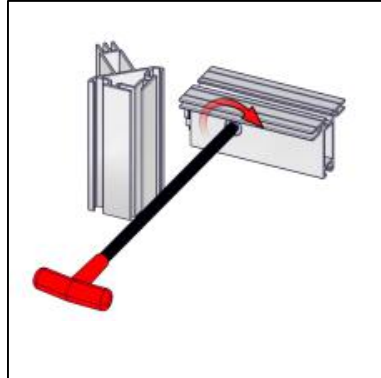
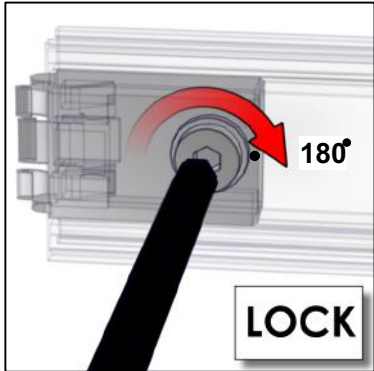
# Tools Required



MULTI HEX KEY

# SETUP INSTRUCTIONS

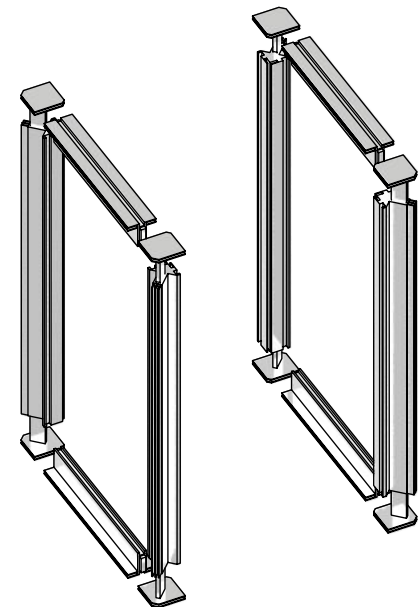
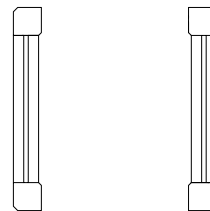
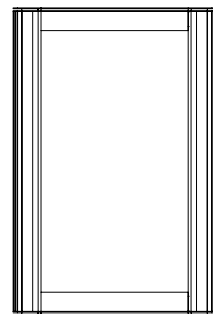
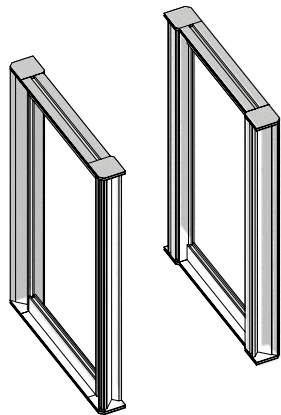
QTY	IMAGE	DESCRIPTION
8		INJECTION MOLDED PLASTIC END CAP FOR PMFC2-90
4		595MM LENGTH OF PMFC2-90 EXTRUSION-WITH IB2 LOCK HOLES BOTH ENDS
4		292MM LENGTH OF PHFC2 EXTRUSION-WITH CAM LOCKS BOTH ENDS




STEP 1

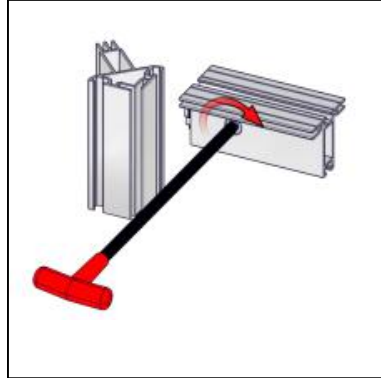
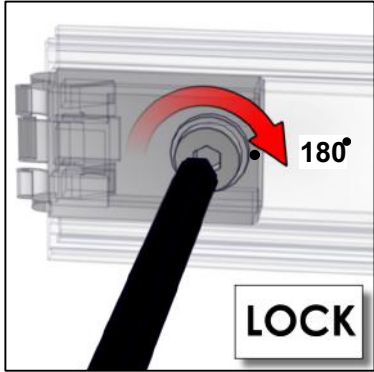
ASSEMBLE X2 FRAMES

IMPORTANT!  
MAKE A HALF TURN  
TO LOCK EXTRUSIONS



QTY	IMAGE	DESCRIPTION
4		292MM LENGTH OF PHFC2 EXTRUSION-WITH CAM LOCKS BOTH ENDS

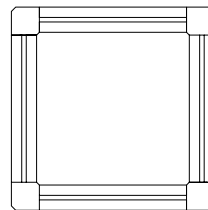
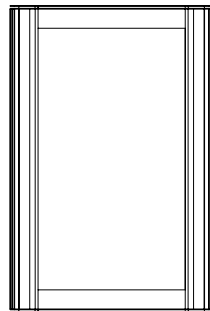
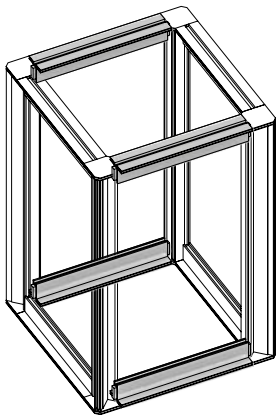
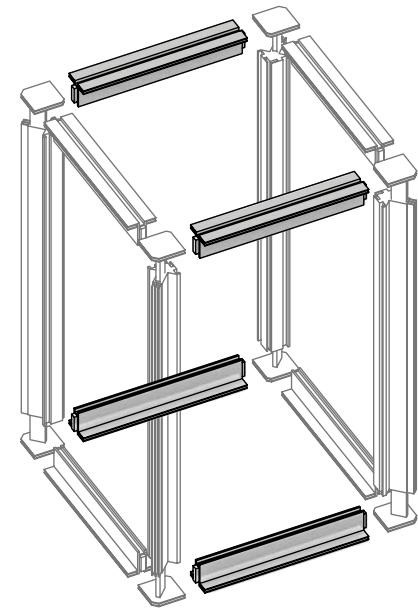
## SETUP INSTRUCTIONS




IMPORTANT!  
MAKE A HALF TURN  
TO LOCK EXTRUSIONS

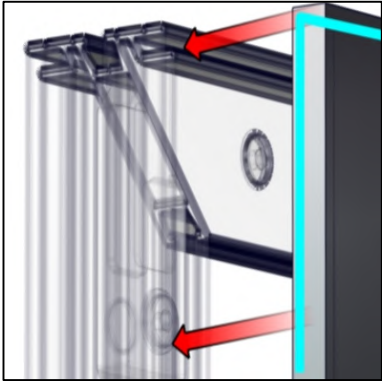
### STEP 1

LOCK FRAMES  
WITH HORIZONTAL  
CROSS BRACES

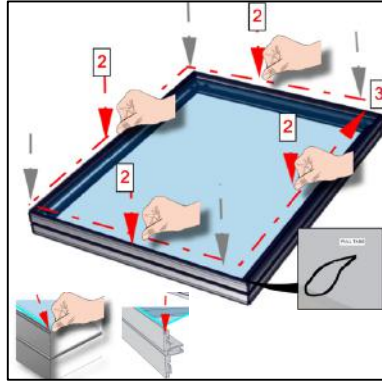


QTY	IMAGE	DESCRIPTION
4		(19.47 w X 27.86 h total size ) 15.47 w X 23.86 h finish size, Dye-sub print on Eclipse Blockout Stretch, single sided, sewn with FCE-2 silicone beading around perimeter & pull tab in bottom right corner

## SETUP INSTRUCTIONS



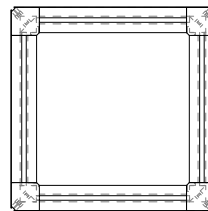
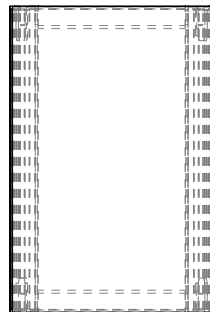
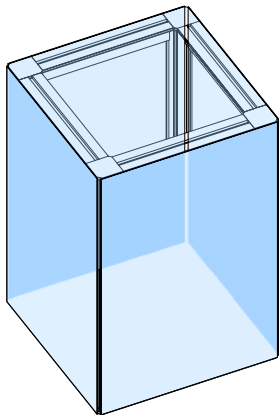
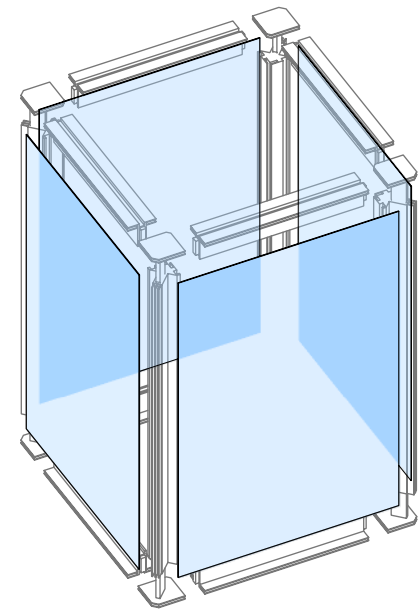
PRESS GRAPHIC INTO CORNERS



THEN PRESS ALONG THE PERIMETER EDGE

STEP 2

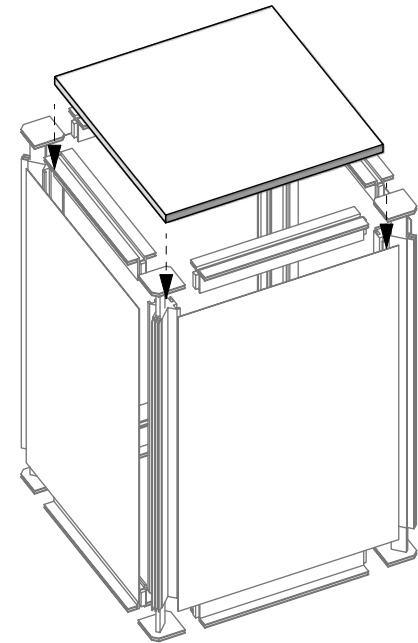
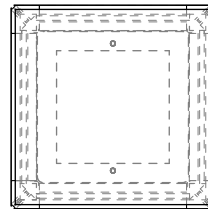
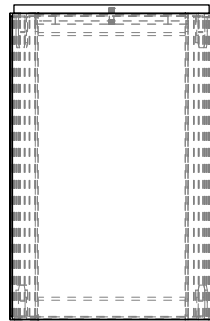
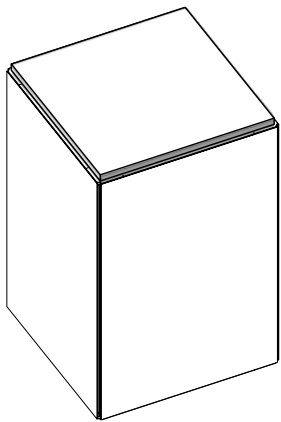
INSTALL GRAPHICS









## STEP 3

PEDESTAL TOP  
SITS ON TOP OF  
THE FRAME







# Kit Hardware BOM

ITEM	COMPONENTS	QTY	DESCRIPTION
	320-292-01-01	8	292MM LENGTH OF PHFC2 EXTRUSION-WITH CAM LOCKS BOTH ENDS
	321-595-02-02	4	595MM LENGTH OF PMFC2-90 EXTRUSION-WITH IB2 LOCK HOLES BOTH ENDS
	CT-MOD-PED	1	387MM X 387MM PEDESTAL TOP
	PMFC2-90-CAP	8	INJECTION MOLDED PLASTIC END CAP FOR PMFC2-90



# Kit Graphics BOM

	MFY-PED-01-A-G	1	(19.47 w X 27.86 h total size ) 15.47 w X 23.86 h finish size, Dye-sub print on Eclipse Blockout Stretch, single sided, sewn with FCE-2 silicone beading around perimeter & pull tab in bottom right corner
	MFY-PED-01-B-G	1	(19.47 w X 27.86 h total size ) 15.47 w X 23.86 h finish size, Dye-sub print on Eclipse Blockout Stretch, single sided, sewn with FCE-2 silicone beading around perimeter & pull tab in bottom right corner
	MFY-PED-01-C-G	1	(19.47 w X 27.86 h total size ) 15.47 w X 23.86 h finish size, Dye-sub print on Eclipse Blockout Stretch, single sided, sewn with FCE-2 silicone beading around perimeter & pull tab in bottom right corner
	MFY-PED-01-D-G	1	(19.47 w X 27.86 h total size ) 15.47 w X 23.86 h finish size, Dye-sub print on Eclipse Blockout Stretch, single sided, sewn with FCE-2 silicone beading around perimeter & pull tab in bottom right corner