

MODify 4-Sided Kit 03

MODify™ is a one-of-a-kind Modular Merchandising System that is made up of interchangeable fixtures and accessories that can be easily assembled, disassembled, and rearranged to create a variety of different display configurations. The MODify system incorporates SEG push-fit fabric graphics that enable you to brand, promote and merchandise with ease.

MODify 4-Sided Kit 03 creates a four-sided arch retail display. Incorporating panels of slatwall and SEG push-fit graphics, this display is ideal for not only merchandising and branding, but for accessible storage as well. MODify with optional fixtures such as shelves, hooks, hang bars, and waterfalls. The overhead graphic commands attention.



We are continually improving and modifying our product range and reserve the right to vary the specifications without prior notice. All dimensions and weights quoted are approximate and we accept no responsibility for variance. E&OE. See Graphic Templates for graphic bleed specifications

features and benefits:

Base Kit includes:

- Frame, slatwall, shelf and base colors in kit are all the same, your choice of all white, black, or silver
- Heavy-duty aluminum frame, steel base
- Steel, slotted uprights
- Two 36"W x 144"H towers on both sides hold slatwalls, fixtures and graphics
- Four 36"W x 96.5"H slatwall panels, two on each tower
- Overhead 140.5"W x 50"H SEG push-fit graphic front and back commands attention
- Display is easy to assemble and install
- Lifetime hardware warranty against manufacturer defects

Optional Accessories Include:

- Towel bars.
- Faceout bars
- Waterfalls
- U bars
- Slatwall hooks
- Shelves

dimensions:

Hardware

Assembled unit:

148"W x 144"H x 39"D
3759.2mm(w) x 3657.6mm(h) x 990.6mm(d)

Approximate Weight:
446 lbs / 202.302 kg

Shipping

Packing case(s):

1 Box

Shipping dimensions:

(96"L x 24"H x 42"D)
2438.4mm(l) x 609.6mm(h) x 1066.8mm(d)

Approximate shipping weight:

540 lbs / 244.94 kg

additional information:

Graphics

Graphic material: Dye-sublimated fabric

See graphic templates for graphic sizes.

Refer to related graphic templates for more information Visit:

<https://www.theexhibitorshandbook.com/downloads/download-graphic-templates>
or click here

Powder coat color options:



Wood laminate color options:



MODify Accessories

All Accessories available in white, black, or silver

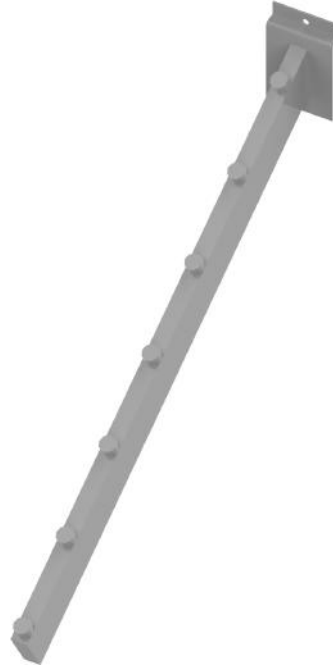
Slotwall Accessories



MFY-SLT-HK
4", 6", 8", 10" & 12"



MFY-SLT-FC
6", 8", 10" & 12"



MFY-SLT-WTR-16-7

U-Bar Accessories

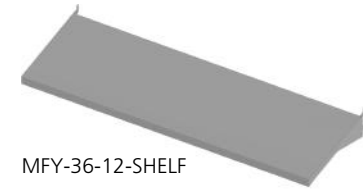


MFY-TWL-FC
6", 8" & 10"

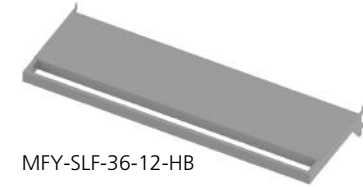


MFY-UBR-FC
6", 8" & 10"

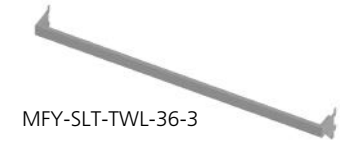
Shelf and Hanger Bars



MFY-36-12-SHELF



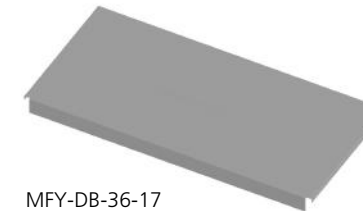
MFY-SLF-36-12-HB



MFY-SLT-TWL-36-3



MFY-UBR-36-12



MFY-DB-36-17

Tools Required



MULTI HEX KEY
(INCLUDED)

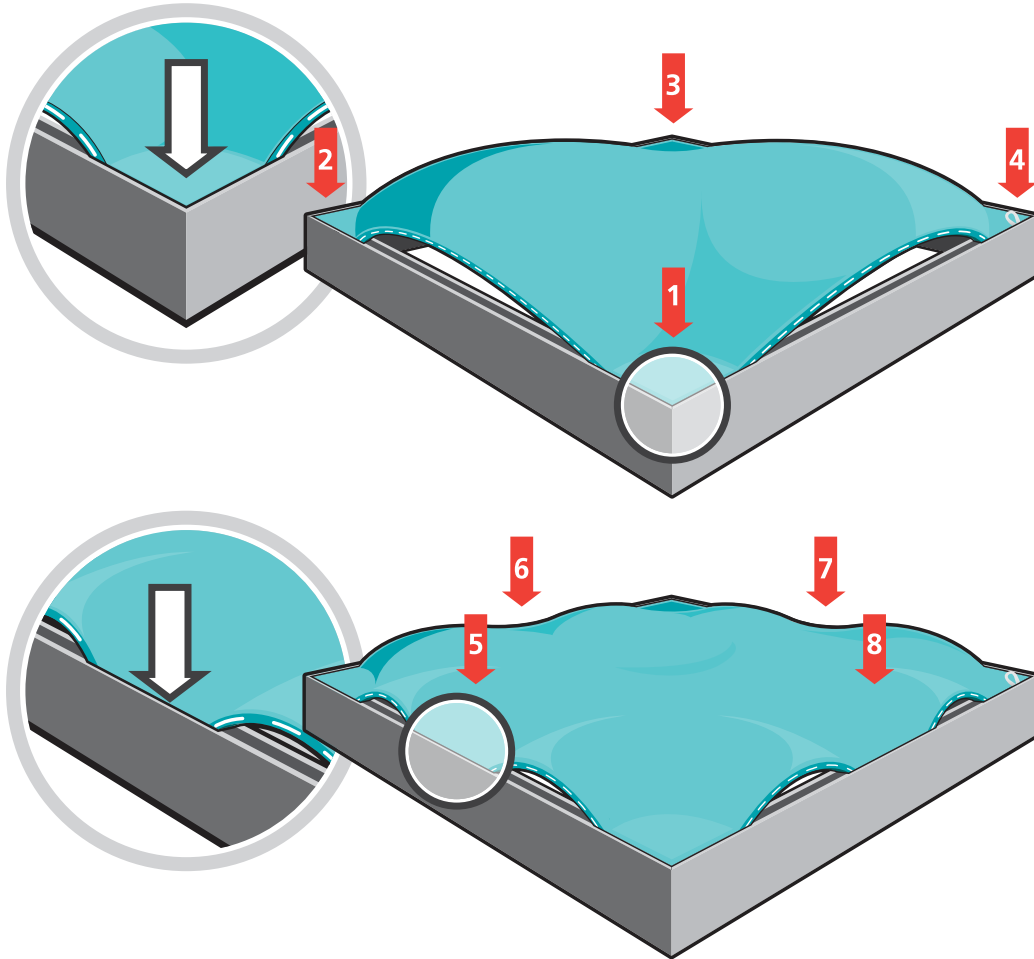


PHILLIPS SCREW DRIVER
(NOT INCLUDED)

How to Apply & Remove Graphics

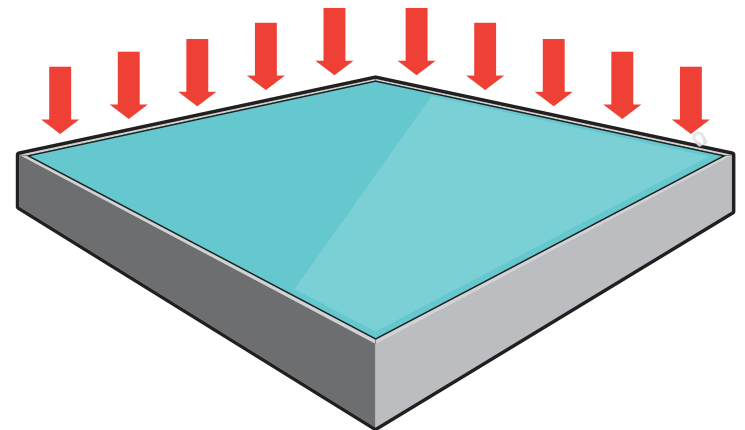
Installation and removal of SEG graphics is easy!

Installation: Push the SEG bead into each corner of the frame (1-4) with your thumb, then push the SEG bead into the middle of the run (5-8) and work your way around the perimeter of the frame until all beading is pushed in properly; if necessary, go around the perimeter again to ensure beading is secure in the extrusion profile.



Note: Keep the set up area clean by using a drop cloth, washing hands before set-up or by wearing gloves.







Removal: Use the pull tab located on the graphic and gently pull the graphic from the frame, going around the perimeter.

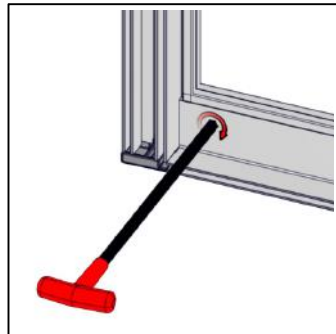
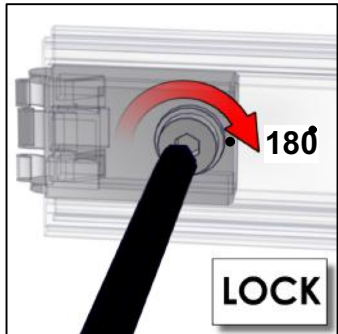


Graphics Storage & Care

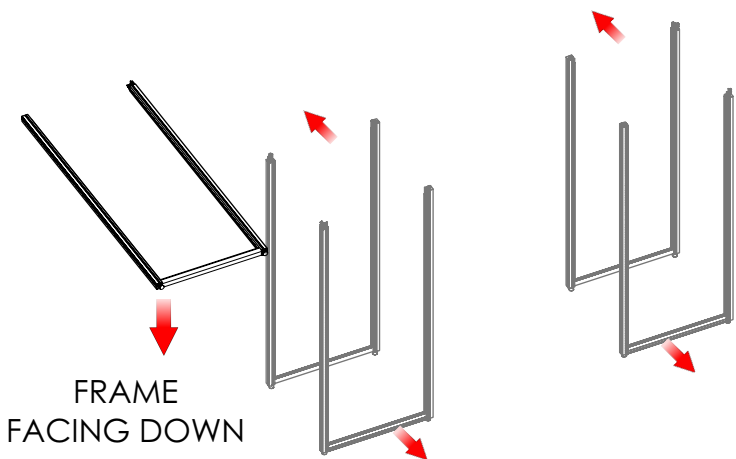
Graphics should be folded with the graphic facing inward and stored in a zip lock /sealable plastic bag. Spot clean by wiping with a damp white cloth. If washing is necessary, use a commercial size front-loading washing machine, gentle cycle with cool water. Line dry flat. Dry cleaning is NOT recommended to prevent shrinkage.

SETUP INSTRUCTIONS

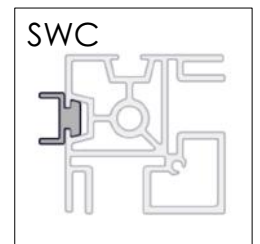
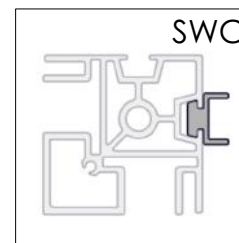
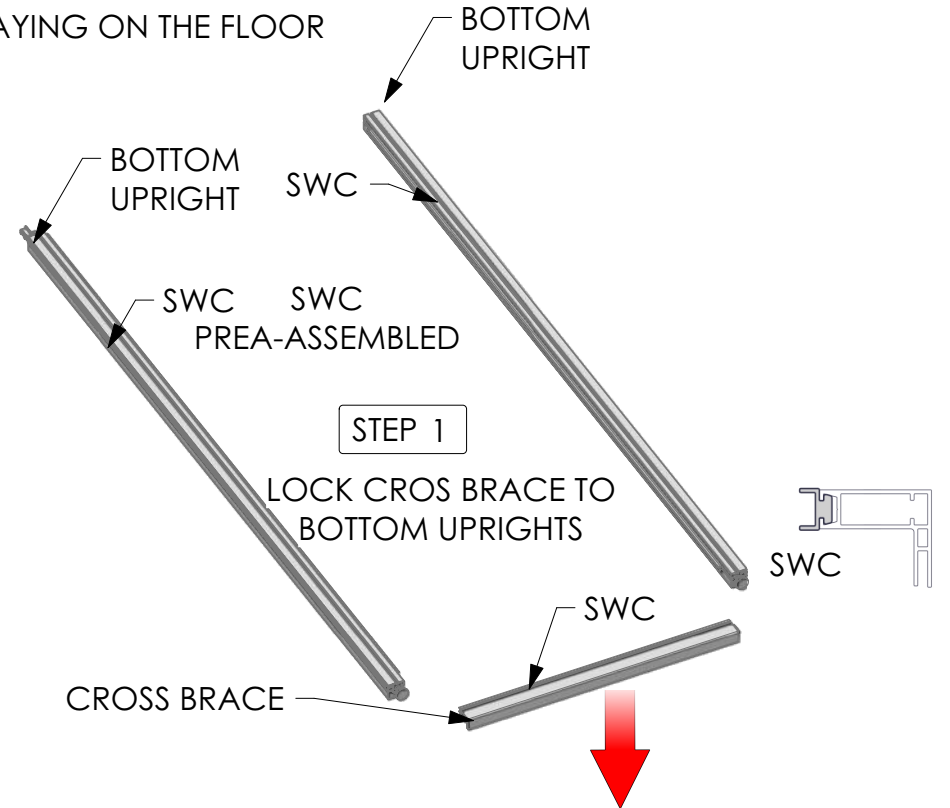
QTY	IMAGE	DESCRIPTION
4		2350MM (92.52in) BOTTOM MIDDLE UPRIGHT
1		MODify Tapered Extension Pin, 5/16-18 thread
4		2300MM (90.55in) BOTTOM UPRIGHT
8		2244MM (88.35in) OF SWC EXTRUSION
4		883MM (34.76in) OF SINGLE SIDED SEG EXTRUSION -WITH CAM LOCKS BOTH ENDS
4		883MM (34.76in) OF SWC EXTRUSION







IMPORTANT! MAKE A HALF TURN TO LOCK EXTRUSIONS



BUILD X4 FRAMES LAYING ON THE FLOOR



QTY	IMAGE	DESCRIPTION
4		883MM (34.7in) OF SWC EXTRUSION
4		883MM (34.7in) OF SINGLE SIDED SEG EXTRUSION -WITH CAM LOCKS BOTH ENDS
56		879MM (34.6in) LENGTH OF SLOTWALL EXTRUSION
8		879MM (34.6in) LENGTH OF SLOTWALL EXTRUSION -WITH 33.15MM BOTTOM CUT

SETUP INSTRUCTIONS

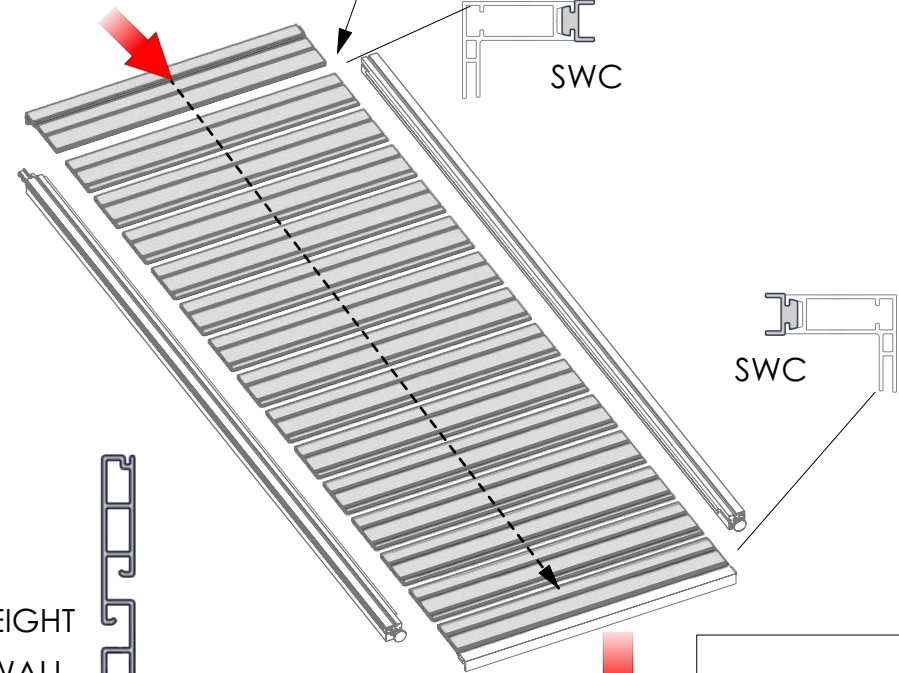
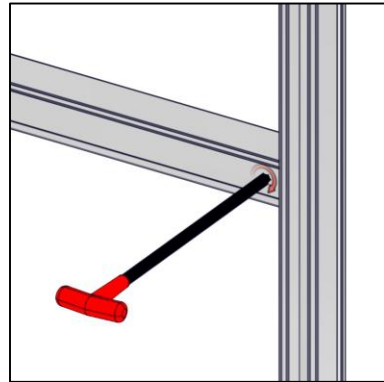
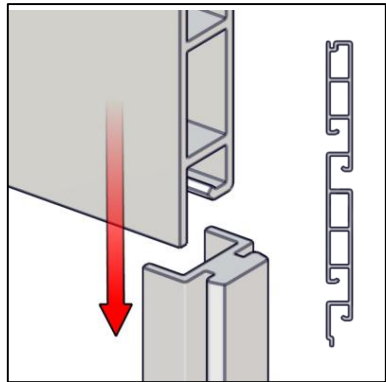
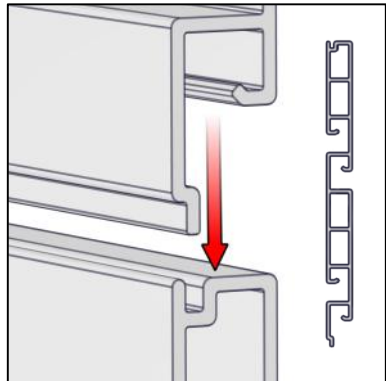
BUILD X4 FRAMES
LAYING ON THE FLOOR

STEP 2

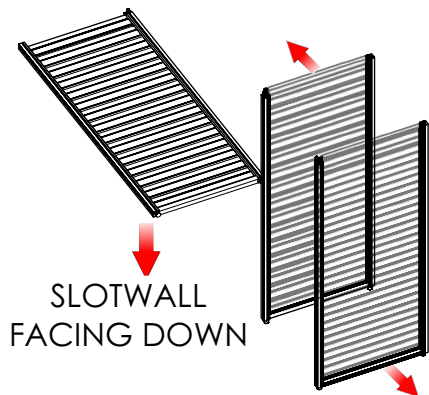
SLOTWALL EXTRUSION
STACK 005-879

STEP 3

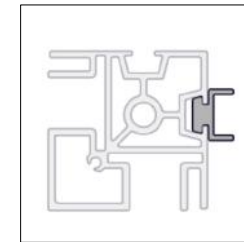
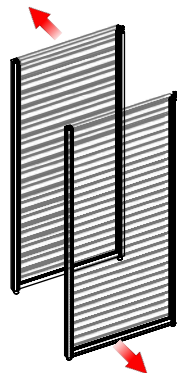
LOCK CROSS BRACE
TO UPRIGHTS



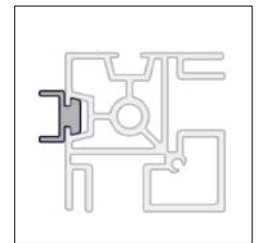
6.125" HEIGHT
SLOTWALL



SLOTWALL
FACING DOWN

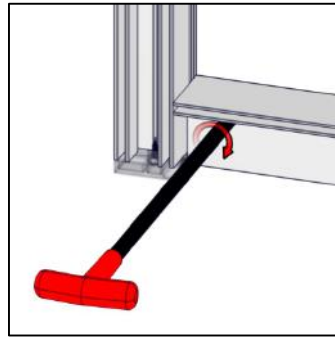
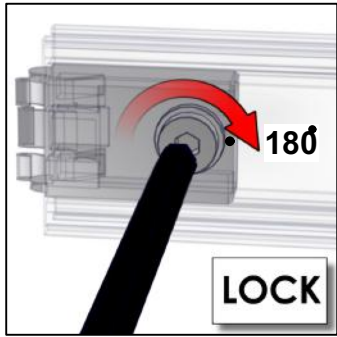


SLOTWALL
FACING DOWN

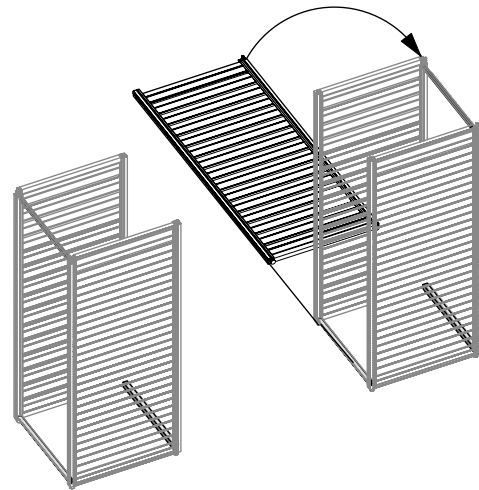
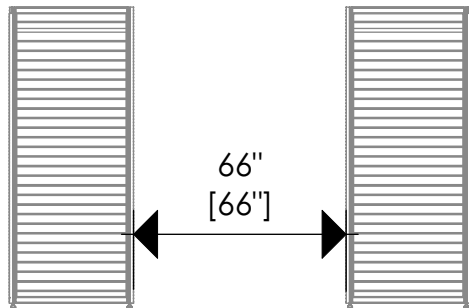


SETUP INSTRUCTIONS

QTY	IMAGE	DESCRIPTION
4		883MM (34.7in) OF SINGLE SIDED SEG EXTRUSION -WITH CAM LOCKS BOTH ENDS
2		883MM LENGTH OF PH1 EXTRUSION-WITH CAM LOCKS BOTH ENDS



IMPORTANT! MAKE A HALF TURN
TO LOCK EXTRUSIONS






LOCK FRAMES
TOGETHER

LOCK CROSS BRACE
TO UPRIGHTS



STEP 4

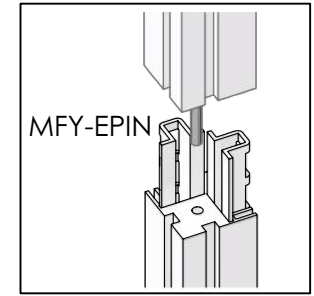
LOCK CROSS BRACE
TO UPRIGHTS

QTY	IMAGE	DESCRIPTION
2		MODify Tapered Extension Pin, 5/16-18 thread
4		1319MM (51.93in) TOP UPRIGHT
2		883MM (34.76in) OF SINGLE SIDED SEG EXTRUSION -WITH CAM LOCKS BOTH ENDS

SETUP INSTRUCTIONS

STEP 5

INSERT TOP UPRIGHTS
TO
BOTTOM UPRIGHTS



MFY-EPIN

EXTENSION PIN



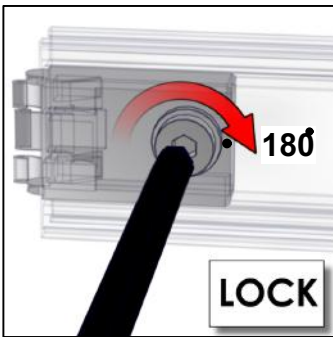
TOP UPRIGHT
EXTENSION PIN



BOTTOM UPRIGHT

STEP 6

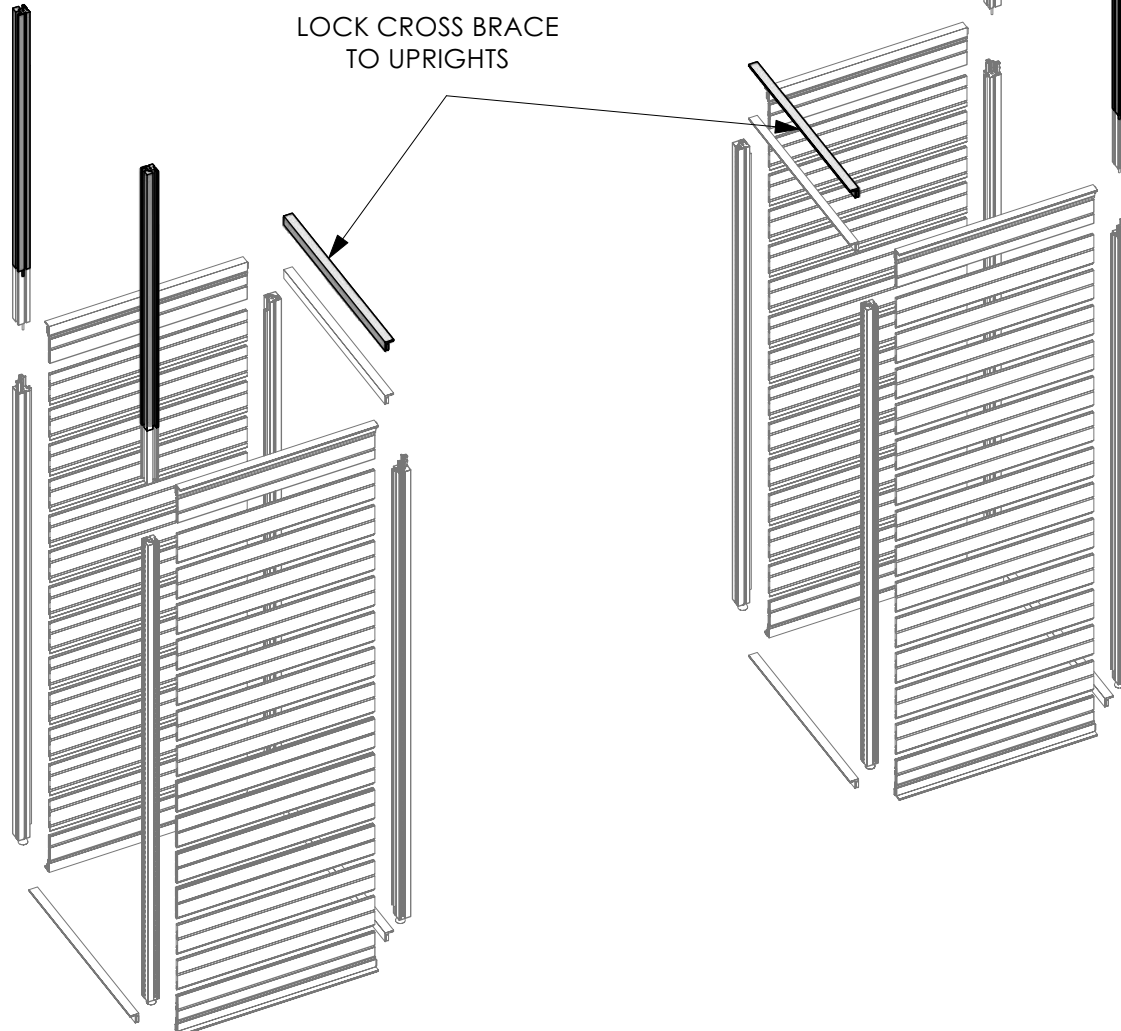
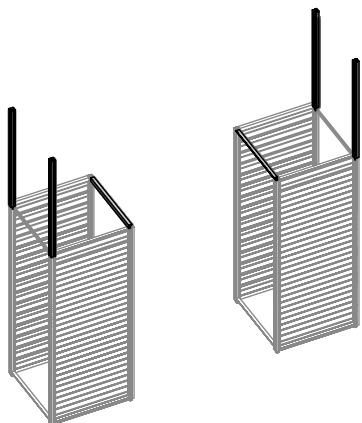
LOCK CROSS BRACE
TO UPRIGHTS



180°

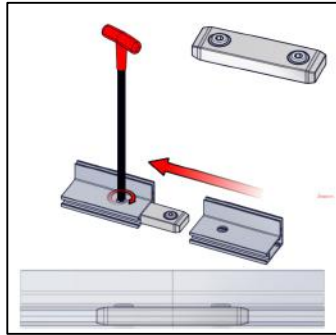
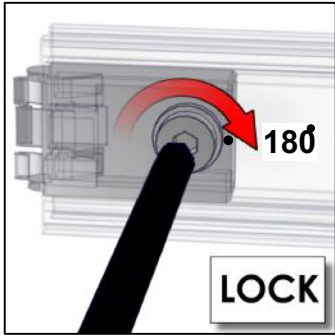
LOCK

IMPORTANT! MAKE A HALF TURN
TO LOCK EXTRUSIONS

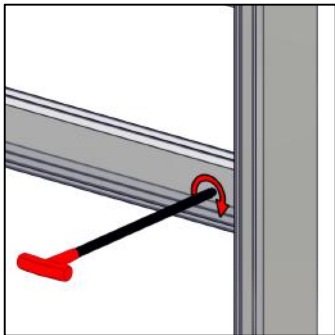


SETUP INSTRUCTIONS

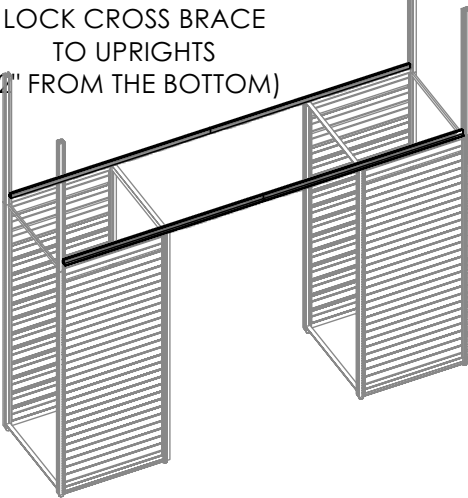
QTY	IMAGE	DESCRIPTION
4		1778MM (70.00in) OF SINGLE SIDED SEG EXTRUSION -WITH IB2 LOCK HOLES ONE END-CAM LOCK ONE END
2		JOINER BAR (OLD STYLE)



IMPORTANT! MAKE A HALF TURN TO LOCK EXTRUSIONS

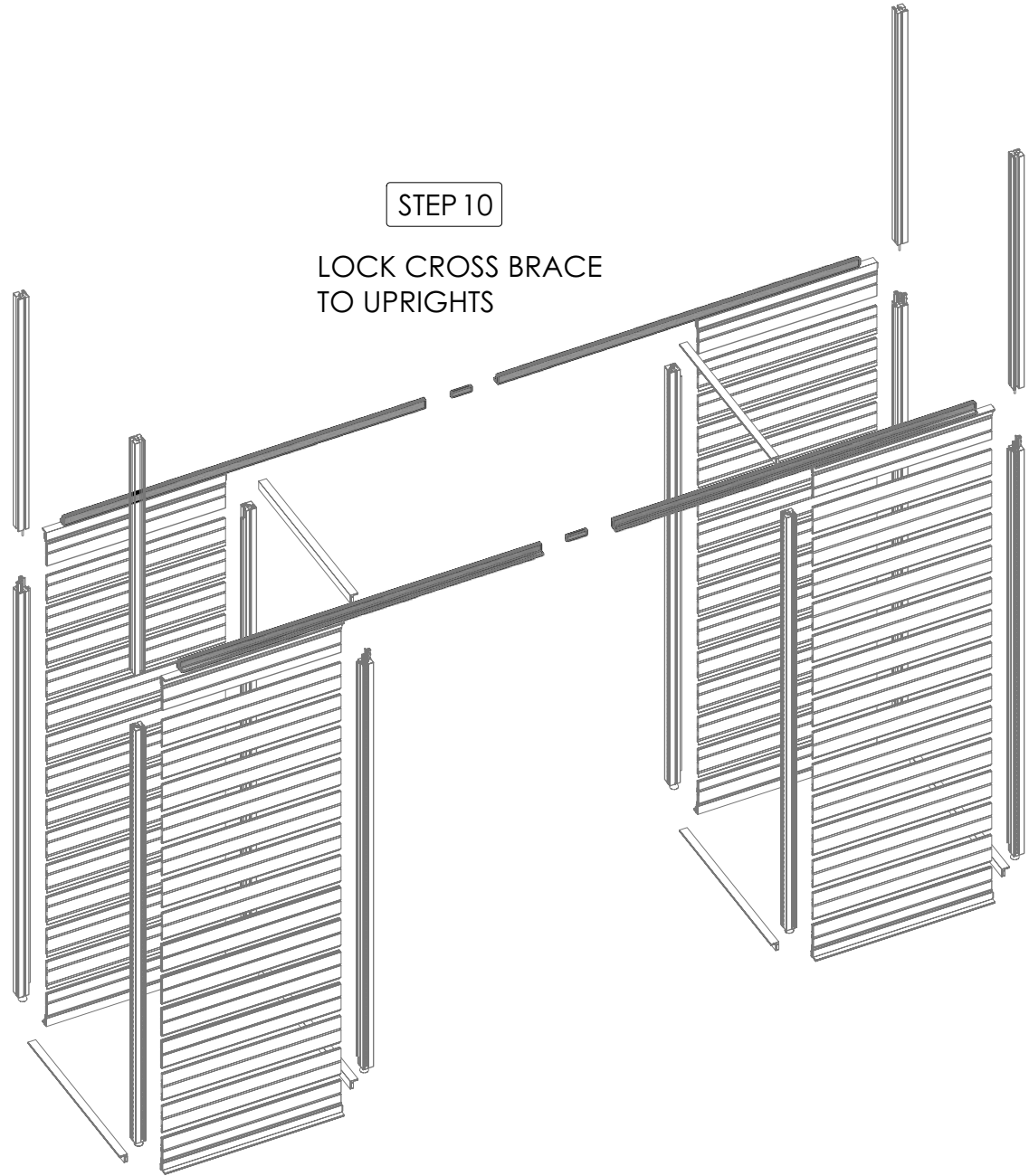


LOCK CROSS BRACE TO UPRIGHTS (2" FROM THE BOTTOM)



STEP 10

LOCK CROSS BRACE TO UPRIGHTS

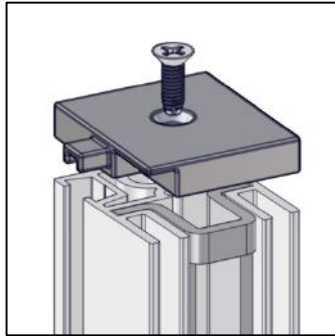
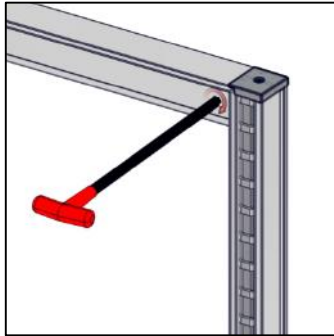
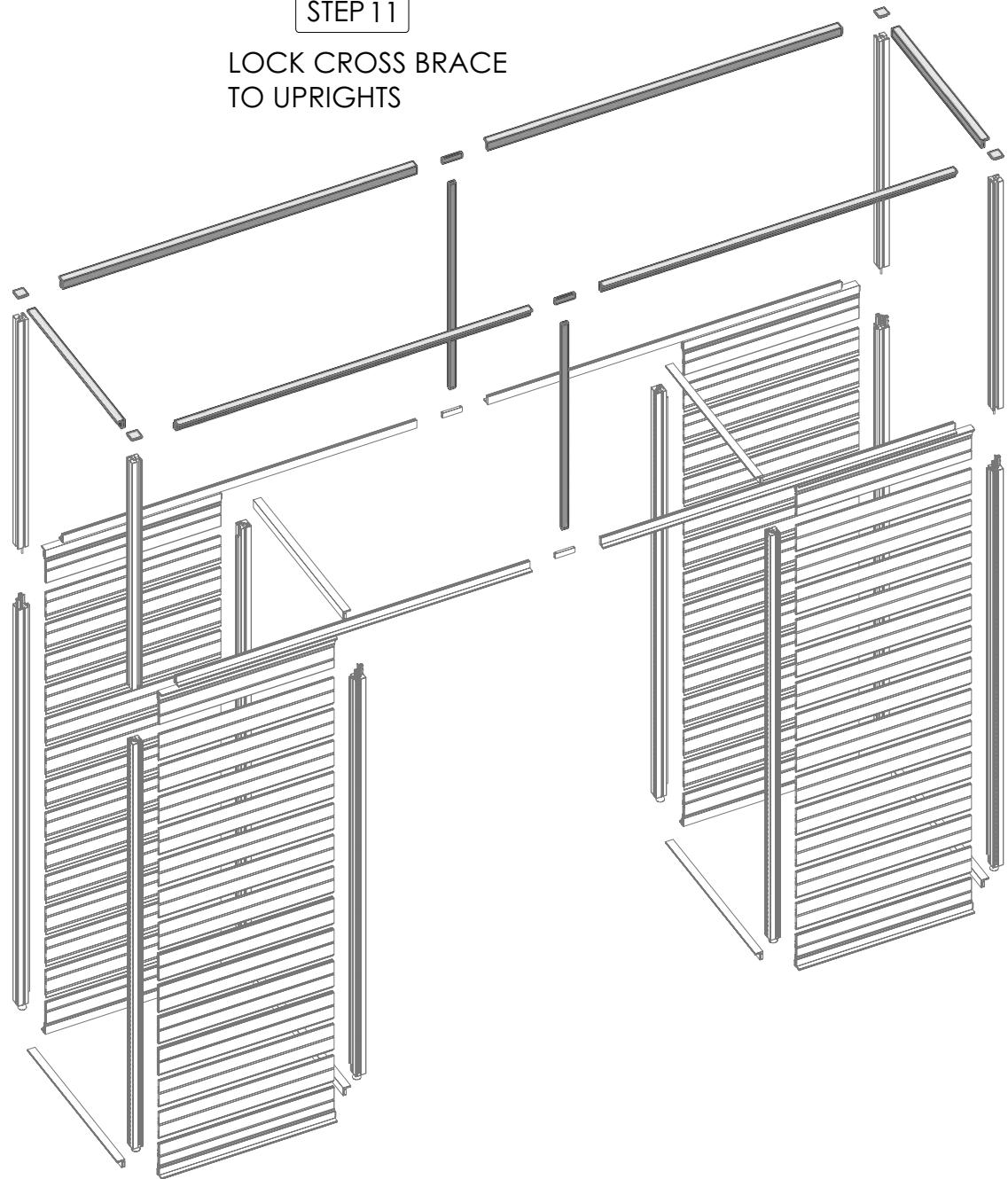


SETUP INSTRUCTIONS

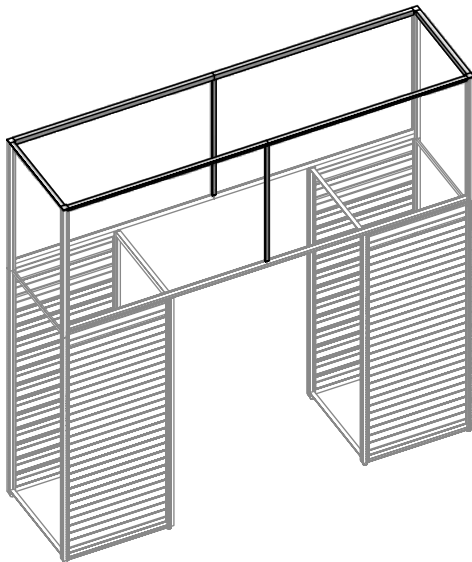
QTY	IMAGE	DESCRIPTION
2		883MM (34.7in) OF SINGLE SIDED SEG EXTRUSION -WITH CAM LOCKS BOTH ENDS
4		1778MM (70.00in) OF SINGLE SIDED SEG EXTRUSION -WITH IB2 LOCK HOLES ONE END-CAM LOCK ONE END
2		JOINER BAR (OLD STYLE)
2		1186MM LENGTH OF PH1 EXTRUSION-WITH CAM LOCKS BOTH ENDS
4		7MM SEG PLASTIC END CAP FOR 825 EXTRUSION




STEP 11

LOCK CROSS BRACE TO UPRIGHTS



LOOSEN END CAP TO ATTACH TOP CROSS BRACE

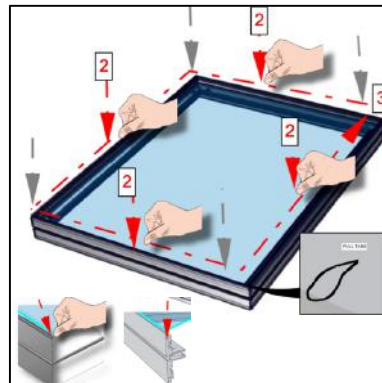
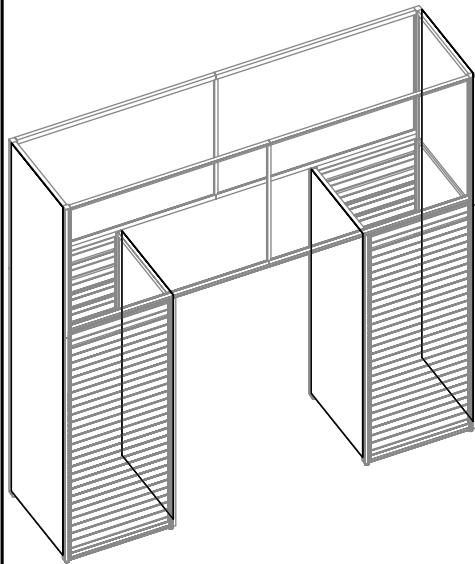
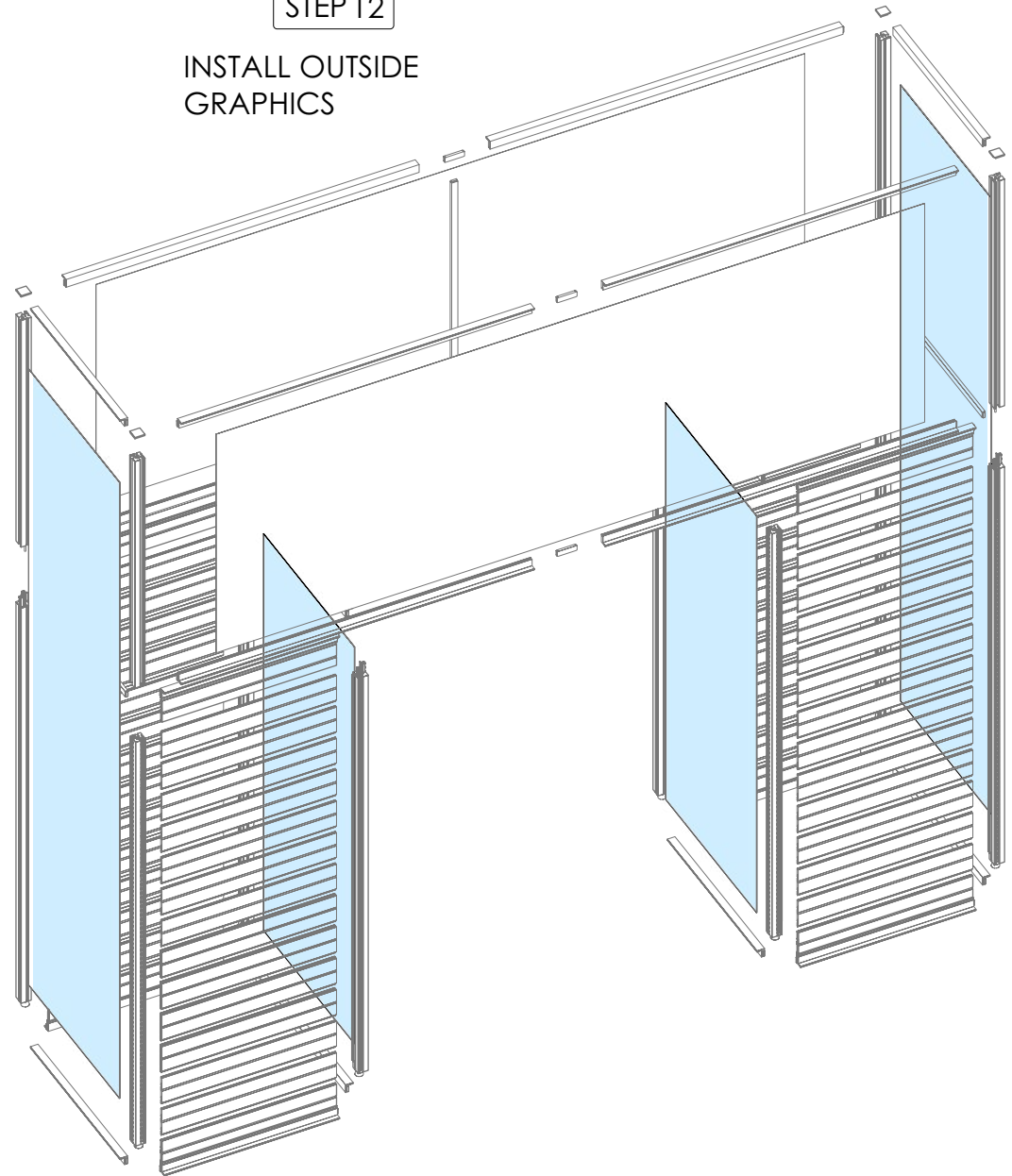


QTY	IMAGE	DESCRIPTION
1		(39.26 w X 94.91 h total size) 35.26 w X 90.91 h finish size, Dye-sub print on Eclipse Blockout Stretch, single sided, sewn with FCE-2 silicone beading around perimeter & pull tab in bottom right corner (WITH 1/4" NOTCH LEFT & RIGHT BOTTOM & TOP HORIZONTAL SIDE CORNERS)
2		(39.26 w X 145.13 h total size) 35.26 w X 141.13 h finish size, Dye-sub print on Eclipse Blockout Stretch, single sided, sewn with FCE-2 silicone beading around perimeter & pull tab in bottom right corner (WITH 1/4" NOTCH LEFT & RIGHT BOTTOM HORIZONTAL SIDE CORNERS)
1		(39.26 w X 94.91 h total size) 35.26 w X 90.91 h finish size, Dye-sub print on Eclipse Blockout Stretch, single sided, sewn with FCE-2 silicone beading around perimeter & pull tab in bottom right corner (WITH 1/4" NOTCH LEFT & RIGHT BOTTOM HORIZONTAL SIDE CORNERS)


SETUP INSTRUCTIONS

STEP 12

INSTALL OUTSIDE GRAPHICS



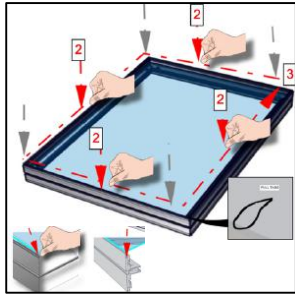
THEN PRESS ALONG THE PERIMETER EDGE

QTY	IMAGE	DESCRIPTION
2		(144.49 w X 54.10 h total size) 140.49 w X 50.10 h finish size, Dye-sub print on Eclipse Blockout Stretch, single sided, sewn with FCE-2 silicone beading around perimeter & pull tab in bottom right corner (WITH 1/4" NOTCH LEFT & RIGHT BOTTOM HORIZONTAL SIDE CORNERS)

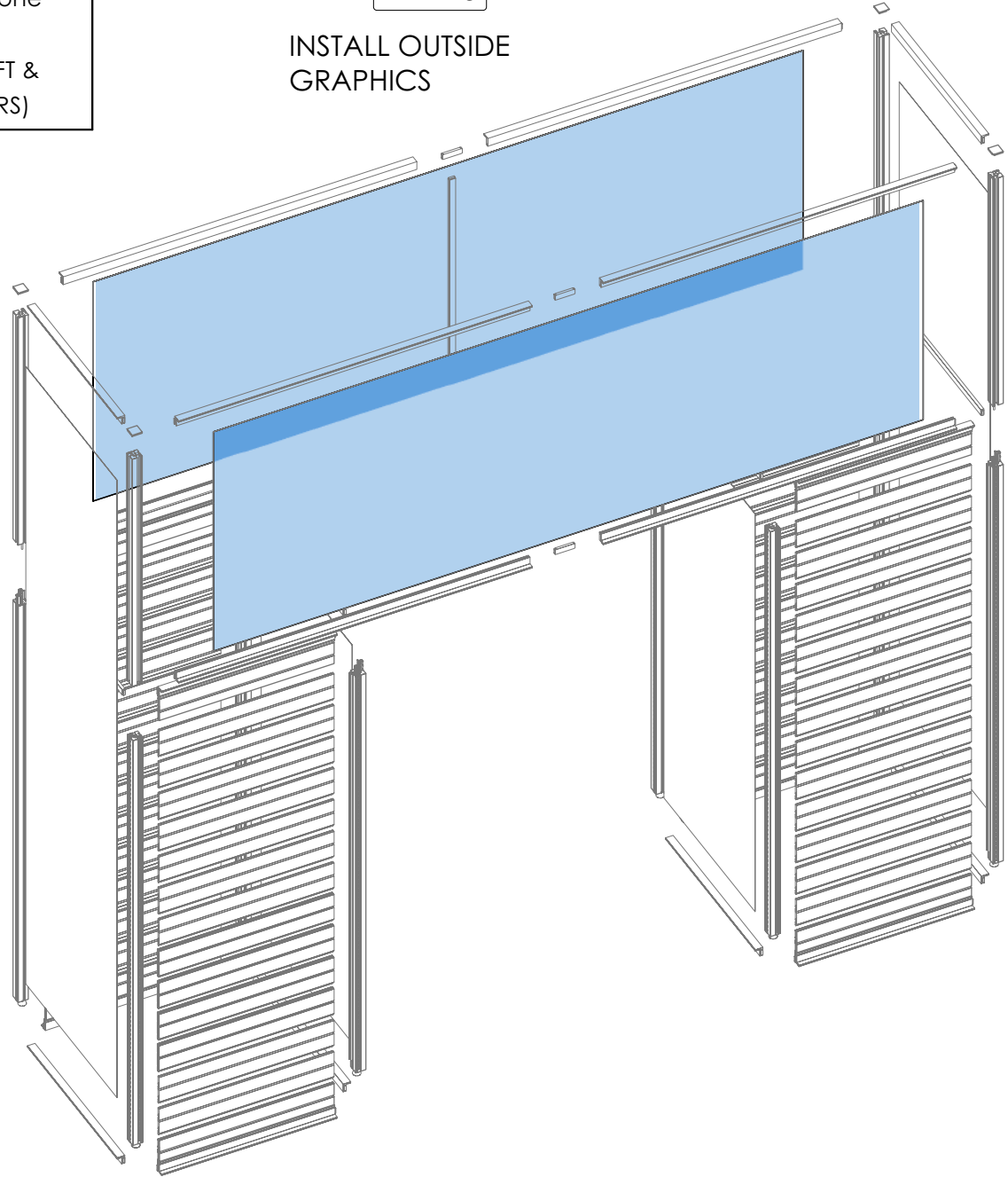
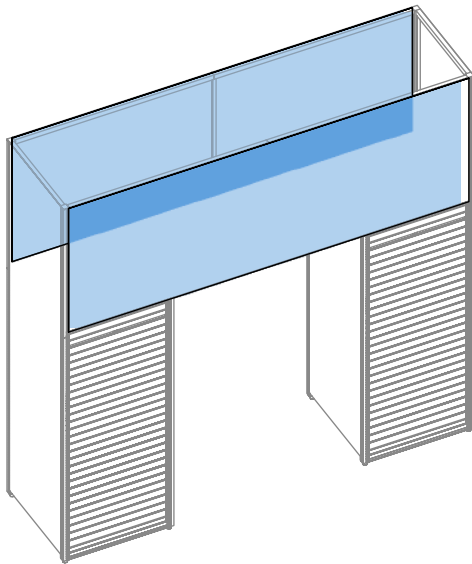
SETUP INSTRUCTIONS

STEP 13

INSTALL OUTSIDE GRAPHICS









THEN PRESS ALONG THE PERIMETER EDGE



Kit Hardware BOM

ITEM	COMPONENTS	QTY	DESCRIPTION
	005-879	56	879MM (34.61in) LENGTH OF SLOTWALL EXTRUSION
	005-879	8	879MM (34.61in) LENGTH OF SLOTWALL EXTRUSION -WITH 33.15MM BOTTOM CUT
	101-883-01-01	2	883MM LENGTH OF PH1 EXTRUSION-WITH CAM LOCKS BOTH ENDS
	101-1186-01-01	2	1186MM LENGTH OF PH1 EXTRUSION-WITH CAM LOCKS BOTH ENDS
	810-883-01-01	16	883MM (34.76in) OF SINGLE SIDED SEG EXTRUSION -WITH CAM LOCKS BOTH ENDS
	810-1778-01-02	8	END-CAM LOCK ONE END
	825-1319	4	1319MM (51.93in) TOP UPRIGHT
	825-2300	4	2300MM (90.55in) BOTTOM UPRIGHT
	825-2350	4	2350MM (92.52in) BOTTOM MIDDLE UPRIGHT
	825-EC	4	7MM SEG PLASTIC END CAP FOR 825 EXTRUSION
	890-883	8	883MM (34.76in) OF SWC EXTRUSION
	890-2244	8	2244MM (88.35in) OF SWC EXTRUSION
	IB2-O	4	JOINER BAR (OLD STYLE)
	MFY-EPIN	2	MODify Tapered Extension Pin, 5/16-18 thread
	MOD-3/8-PIN	2	MODify Tapered Extension Pin, 5/16-18 thread

Kit Graphics BOM

	MFY-4S-03-A-G	1	(144.49 w X 54.10 h total size) 140.49 w X 50.10 h finish size, Dye-sub print on Eclipse Blockout Stretch, single sided, sewn with FCE-2 silicone beading around perimeter & pull tab in bottom right corner (WITH 1/4" NOTCH LEFT & RIGHT BOTTOM HORIZONTAL SIDE CORNERS)
	MFY-4S-03-B-G	1	(39.26 w X 145.13 h total size) 35.26 w X 141.13 h finish size, Dye-sub print on Eclipse Blockout Stretch, single sided, sewn with FCE-2 silicone beading around perimeter & pull tab in bottom right corner (WITH 1/4" NOTCH LEFT & RIGHT BOTTOM HORIZONTAL SIDE CORNERS)
	MFY-4S-03-C-G	1	(144.49 w X 54.10 h total size) 140.49 w X 50.10 h finish size, Dye-sub print on Eclipse Blockout Stretch, single sided, sewn with FCE-2 silicone beading around perimeter & pull tab in bottom right corner (WITH 1/4" NOTCH LEFT & RIGHT BOTTOM HORIZONTAL SIDE CORNERS)
	MFY-4S-03-D-G	1	(39.26 w X 145.13 h total size) 35.26 w X 141.13 h finish size, Dye-sub print on Eclipse Blockout Stretch, single sided, sewn with FCE-2 silicone beading around perimeter & pull tab in bottom right corner (WITH 1/4" NOTCH LEFT & RIGHT BOTTOM HORIZONTAL SIDE CORNERS)
	MFY-4S-03-E-G	1	(39.26 w X 94.91 h total size) 35.26 w X 90.91 h finish size, Dye-sub print on Eclipse Blockout Stretch, single sided, sewn with FCE-2 silicone beading around perimeter & pull tab in bottom right corner (WITH 1/4" NOTCH LEFT & RIGHT BOTTOM & TOP HORIZONTAL SIDE CORNERS)
	MFY-4S-03-F-G	1	(39.26 w X 94.91 h total size) 35.26 w X 90.91 h finish size, Dye-sub print on Eclipse Blockout Stretch, single sided, sewn with FCE-2 silicone beading around perimeter & pull tab in bottom right corner (WITH 1/4" NOTCH LEFT & RIGHT BOTTOM HORIZONTAL SIDE CORNERS)