

Embrace 2.5' Backlit Push-Fit Tension Fabric Display

EMB-2-BL-1X1-S

The Embrace™ 2.5ft tabletop (1 Quad x 1 Quad) backlit push-fit fabric display is a sleek illuminated collapsible display. The Backlit Embrace makes it simple to make a big impact in minutes with easy-to-attach patent-pending LED lighting and a push-fit backlit graphic that attaches to channel bars around the perimeter of the frame. Simply attach lights to the collapsible frame and insert the graphic into the channel bars for an impactful illuminated display solution! Graphics available as single or double-sided with endcaps. No tools are required for assembly. Option available to purchase frame, LED lights and an optional upgradeable case only.



features and benefits:

- Lightweight 2.5ft wide (1 quad x 1 quad) straight white frame
- Perimeter channel bars connect to frame and hold push-fit backlit fabric graphics
- LED lights easily attach to collapsible frame
- Premium backlit fabric graphic with SEG beading offered as single or double sided
- Rear diffuser graphic panel for single-sided units
- LED lights* and power supply included
- Lifetime hardware warranty against manufacturer defects

dimensions:

Hardware

Assembled unit:
31.25" w x 31.25" h x 23.25" d
794mm(w) x 794mm(h) x 591mm(d)

Approximate weight:
15 lbs / 7 kg

Graphic

Refer to related graphic template for more information.

One year warranty.

Visit:
www.exhibitors-handbook.com/graphic-templates

Shipping

Packing case(s):
1 Box (can ship FedEx or UPS)

Shipping dimensions:
33" l x 15" h x 15" d
839mm(l) x 381m(h) x 381mm(d)

Approximate total shipping weight:
16 lbs / 8 kg

additional information:

When included in a larger kit, a different packaging solution will be listed to accommodate all contents of the kit. Individual packaging no longer provided.

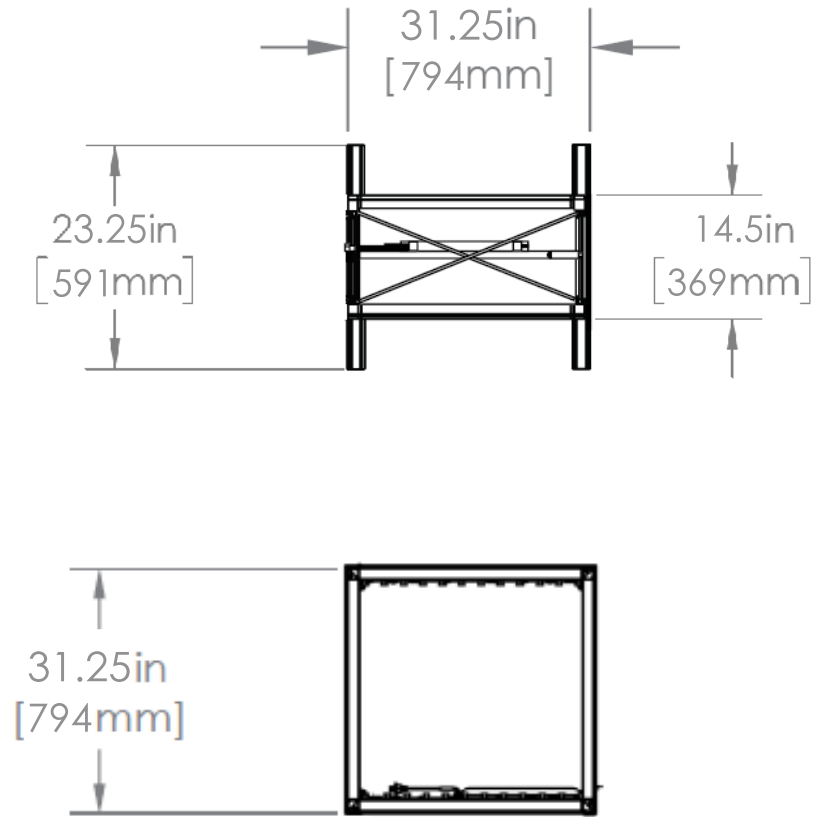
*Lights have a one year limited warranty.

Backlit kits cannot be used for stacking. Do not attempt to connect frames with stacking connectors.

We are continually improving and modifying our product range and reserve the right to vary the specifications without prior notice. All dimensions and weights quoted are approximate and we accept no responsibility for variance. E&OE. See Graphic Templates for graphic bleed specifications.

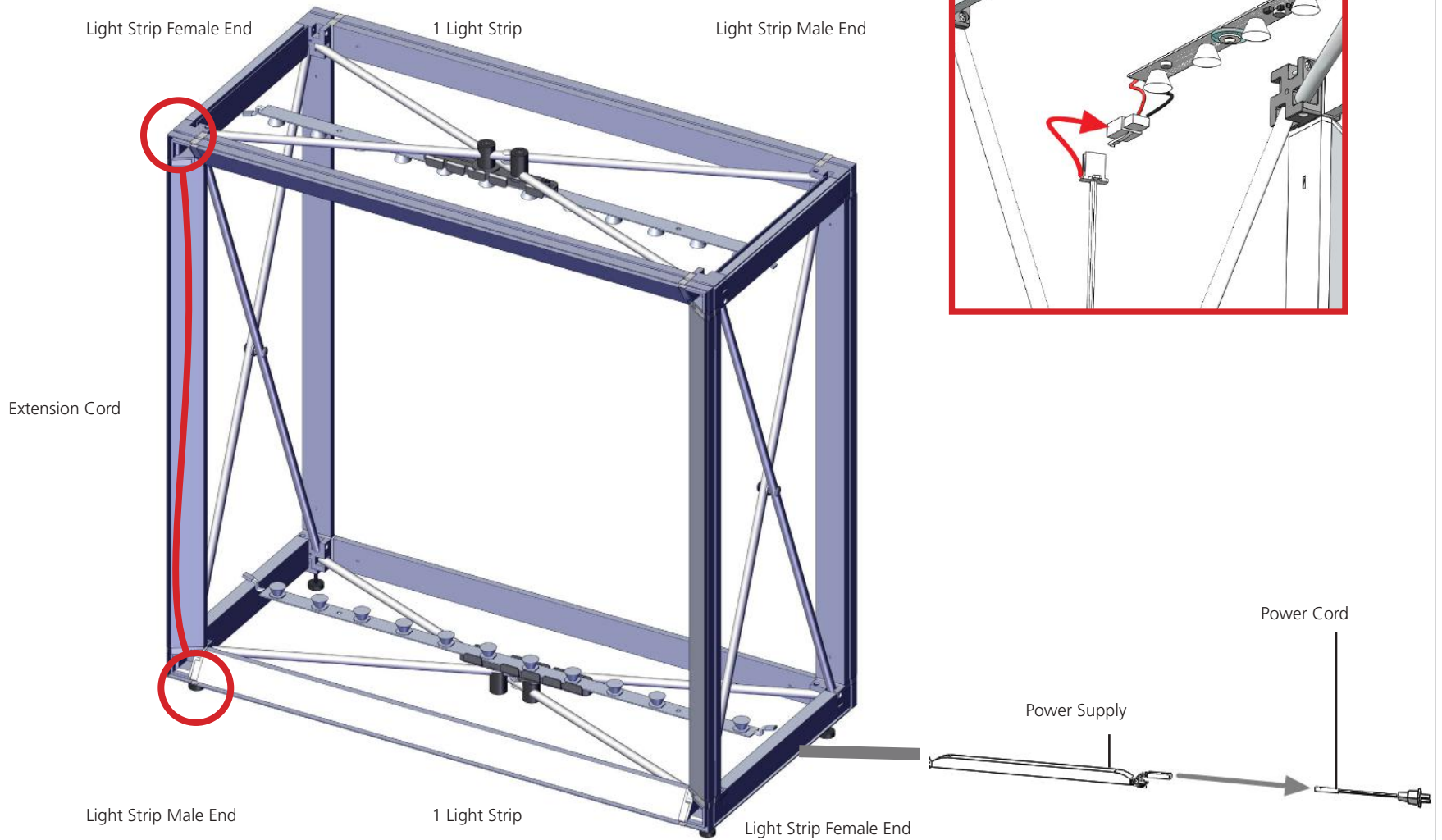
Dimensions

EMB-2-BL-1X1-S



Internal Lighting Diagram

EMB-2-BL-1X1-S



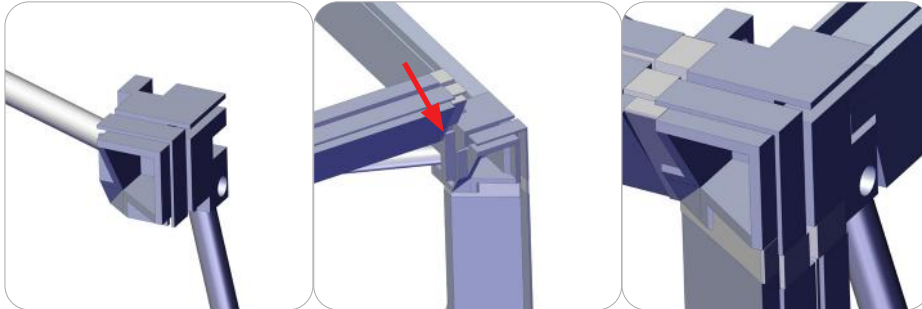
The power cord connects directly to the power supply.
No extension cords are necessary.

Connection Methods & Notes

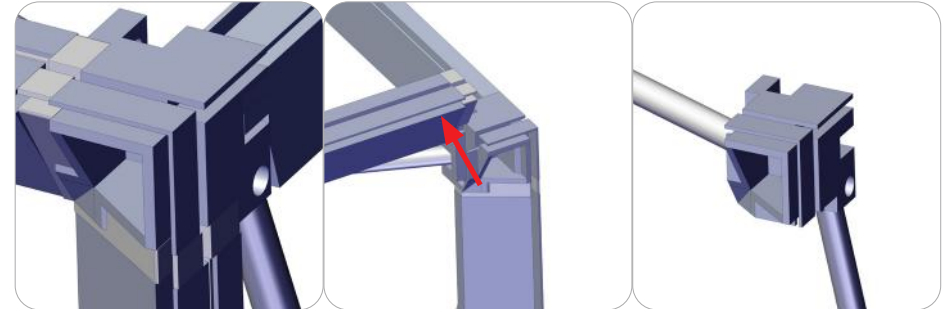
Use this instruction if you are converting your frame from Backlit to Standard.

Connection Method 1: Corner Hub & End Cap

Channel Bar removal from the Corner Hubs

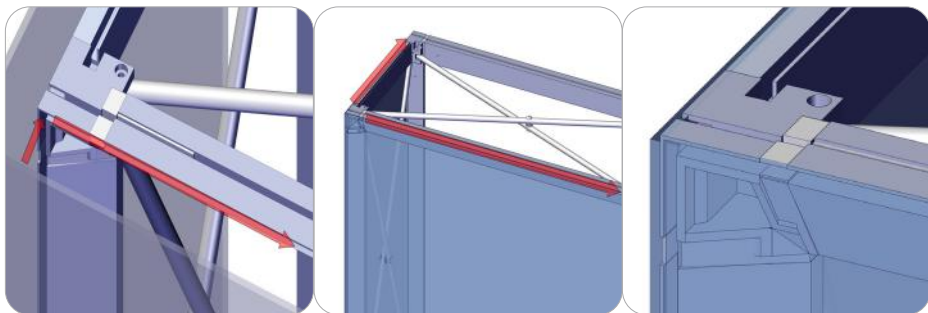


The scissor frames will have this corner hub installed on all four corners, front and back of the frame. This corner hub takes the end caps of the channel bars. The end caps of the channel bar will snap into place.

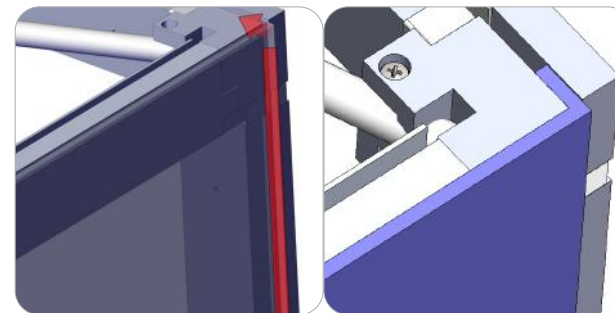


To remove the channel bars, start by pulling the end caps off the corner hubs.

Connection Method 2: Silicon Edge Graphics



To apply the silicone edge graphic, start by pressing the SEG into the top left corner hub of the frame. Continue to press the SEG into the extrusion bar fabric channel. Keep pressing the SEG into the bar fabric channel until you make down to the bottom right corner hub of the frame. This also works for the second printed graphic option on the back side of the frame when horizontal channel bars are installed.

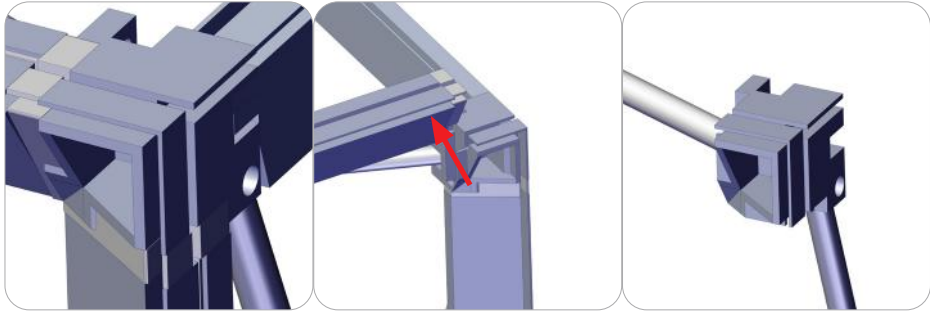


As an optional feature, the front printed graphic may have end cap graphics with silicone edge. Pull the end cap silicone edge to the top of the back corner hub. Start to press in the SEG into the hub and work your way down the side channel. Do the same for the opposite end cap.

Channel Bar Conversion

Use this instruction if you are converting your frame from Standard to Backlit.

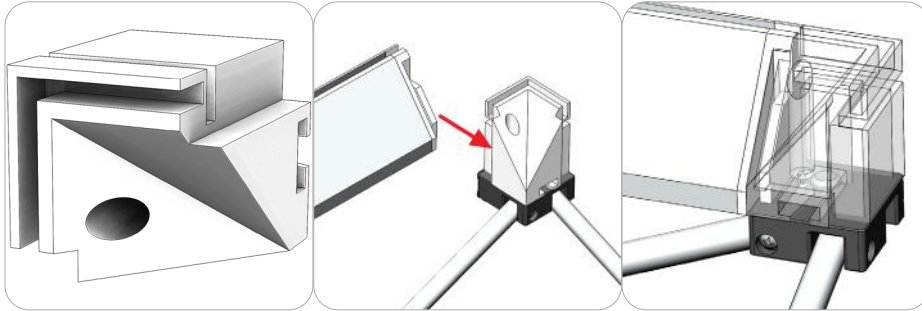
Channel Bar removal from the Corner Hubs



To remove the channel bars, start by pulling the end caps off the corner hubs.

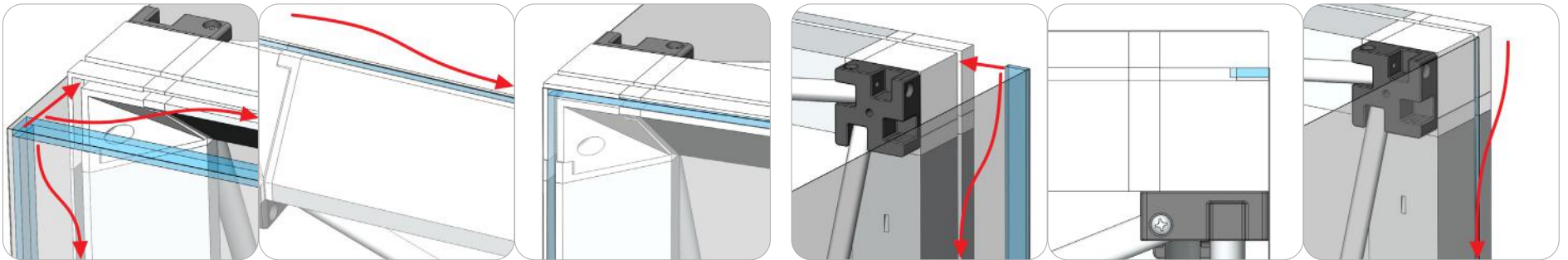
Connection Methods

Connection Method 1: Corner Hub & End Cap



The back-lit frames will have this corner hub installed on all four corners, front and back of the frame. This corner hub takes the end caps of the back-lit channel bars. The end caps of the channel bar will snap into place.

Connection Method 2: Silicon Edge Graphics



To apply the silicone edge graphic, start by pressing the SEG into the top left corner hub of the frame. Continue to press the SEG into the extrusion bar fabric channel. Keep pressing the SEG into the bar fabric channel until you make down to the bottom right corner hub of the frame. This also works for the opaque liner or the second printed graphic option on the back side of the frame.

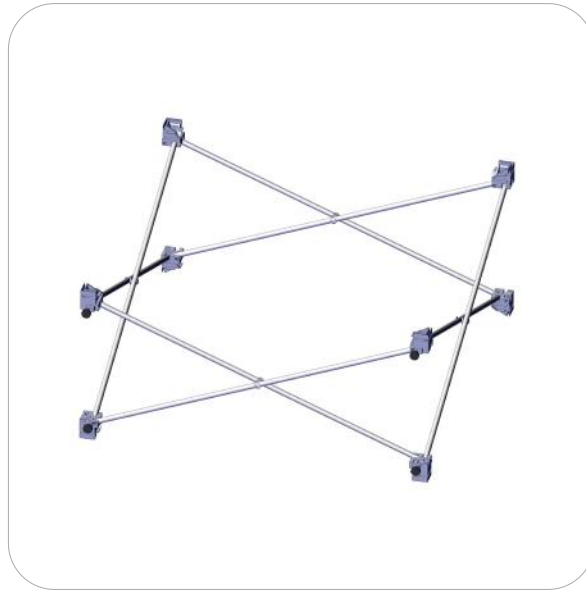
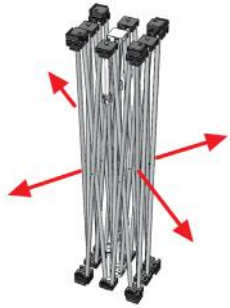
The front printed graphic will also have end cap graphics with silicone edge. Pull the end cap silicone edge to the top of the back corner hub. Start to press in the SEG into the hub and work your way down the side channel. Do the same for the opposite end cap.

Kit Assembly

Step by Step

Step 1.

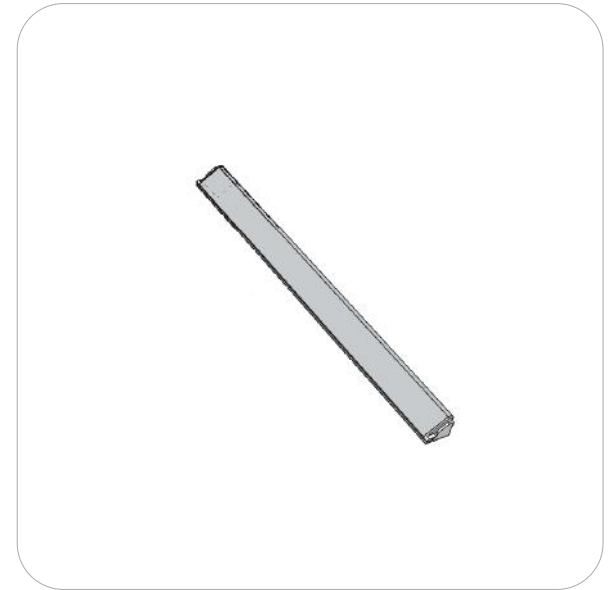
Begin with the back-lit scissor frame and expand it flat out on the floor.



Step 2.

Gather all the channel bars for Step 3.

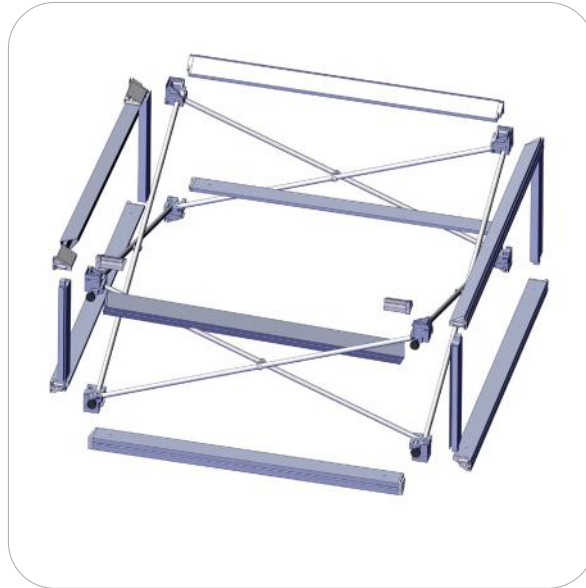
EMB-BL-CB-1



Step 3.

With the frame laid out flat on the floor, carefully attach the channel bars onto the front and back side of the frame. You can stand the frame upright without the stabilizing bases if your frame is 2 quads high or less.

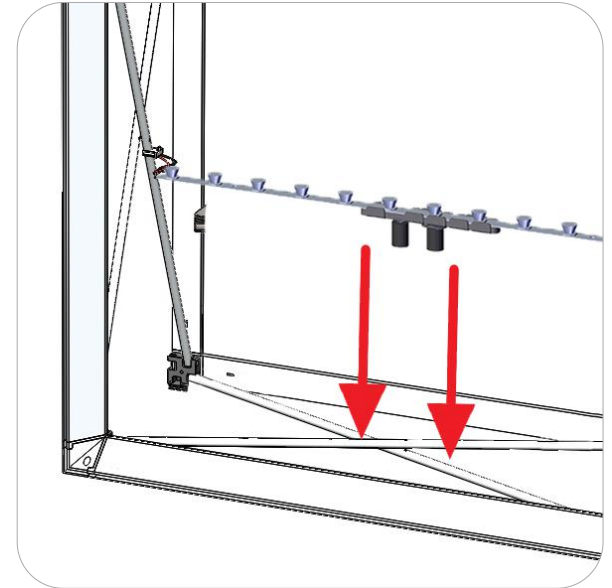
Reference Connection Method 1 for more details.



Step 4.

Gather all the lighting strips and align so they are over each "X" of the frame, then pull the spring-loaded clip apart to fit onto the "X". Make sure the orientation of the male and female connectors allows for linking them together.

Refer to the Internal Lighting Diagram for your frame size and more details.



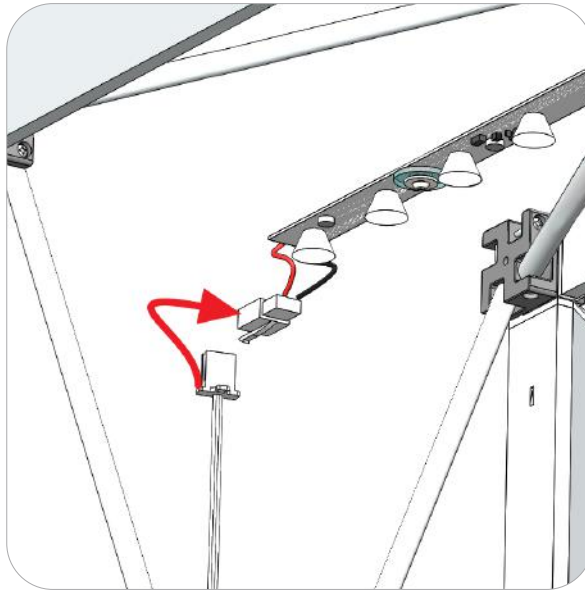
Kit Assembly

Step by Step

Step 5.

Connect the long extension cord to the female end of the top light strips in series. Run the long extension cord down the side.

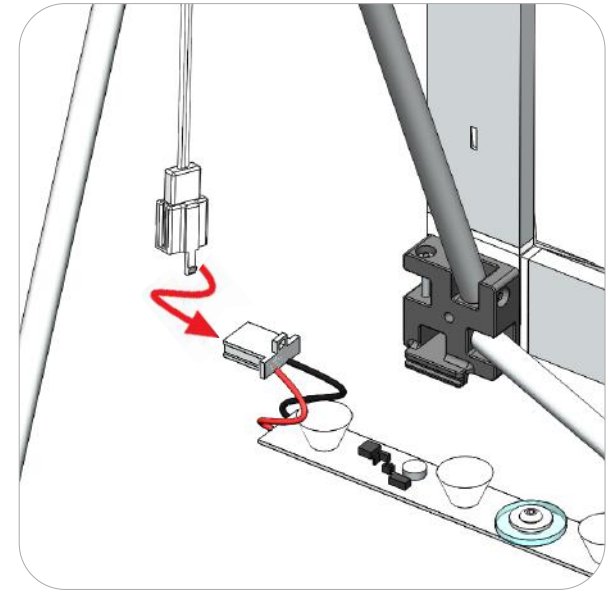
Refer to the Internal Lighting Diagram for your frame size and more details.



Step 6.

First, attach the extension cord from the top row of lights to bottom row of lights.

Refer to the Internal Lighting Diagram for your frame size and more details.

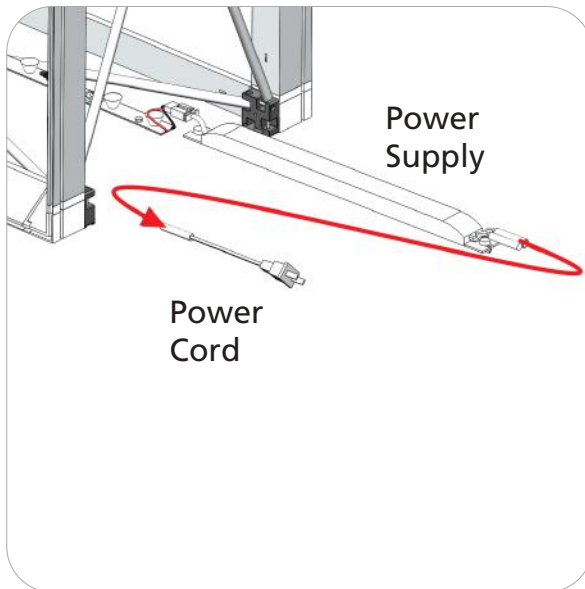


Step 7.

Attach the light strip to the power supply. Then, attach the power cord to the power supply.

Refer to the Internal Lighting Diagram for your frame size and more details.

Plug in the power cord for test lighting.



Step 8.

First, take the front graphic with end caps and attach it to the frame. Start at point 1 and work the silicon edge into the channel bars ending at point 2.

Then, take the end cap and fold it back towards the back channel starting at point 3. Work the silicon edge down to point 4. Do the same for the opposite end cap.

Reference Connection Method(s) 2 for more details.



Kit Assembly

Step by Step

Step 9.

Take the back opaque liner or graphic and attach it to the frame. Start at point 1 and work the silicon edge into the channel bars ending at point 2.

You can leave the power supplies inside the unit. The power cable can be pulled out from the under side.

Reference Connection Method 2 for more details.



Step 10.

Setup is complete.

