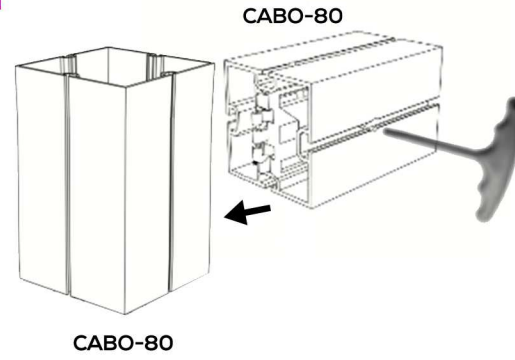
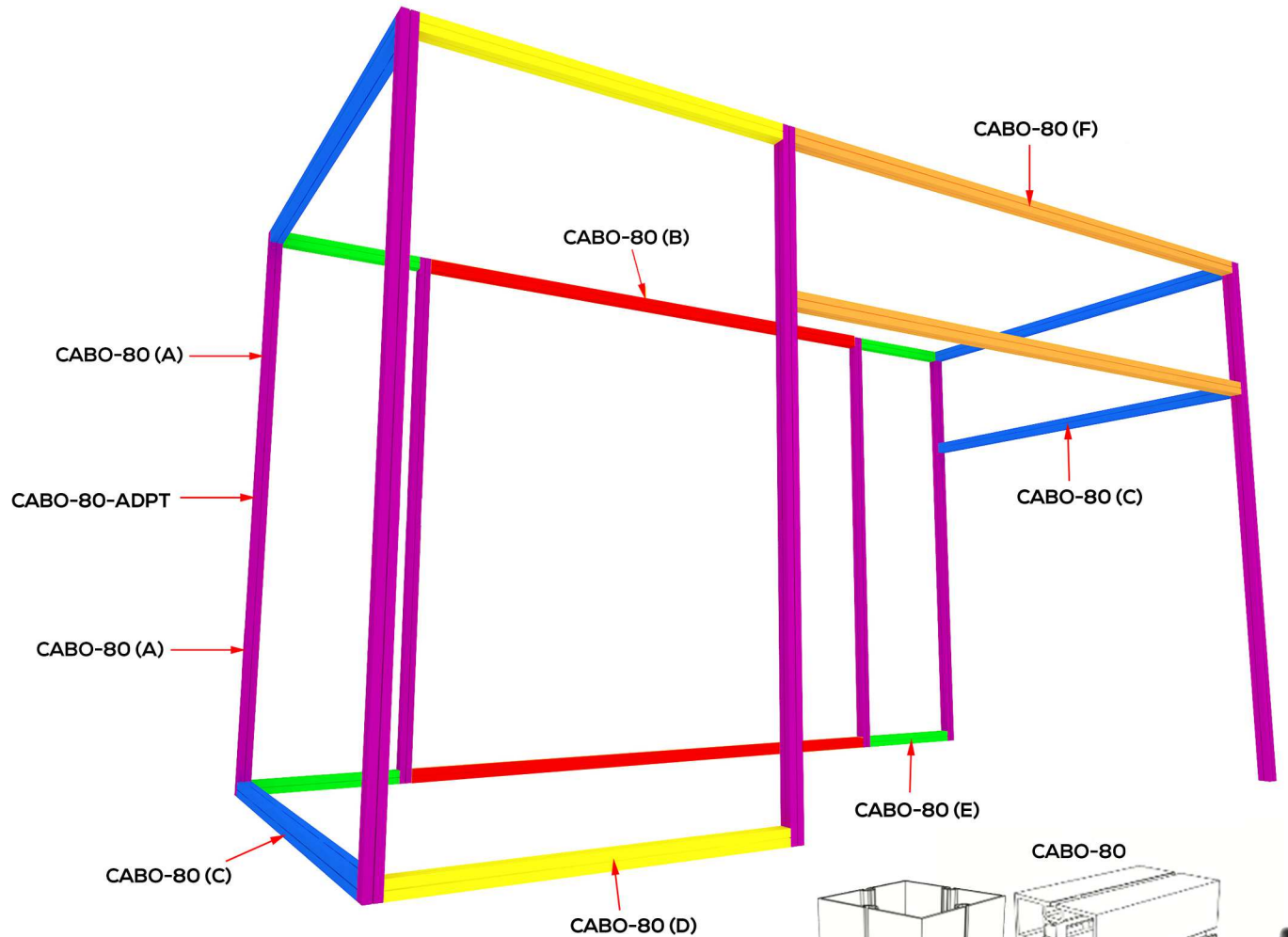
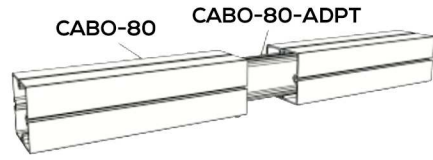


Frame Assembly



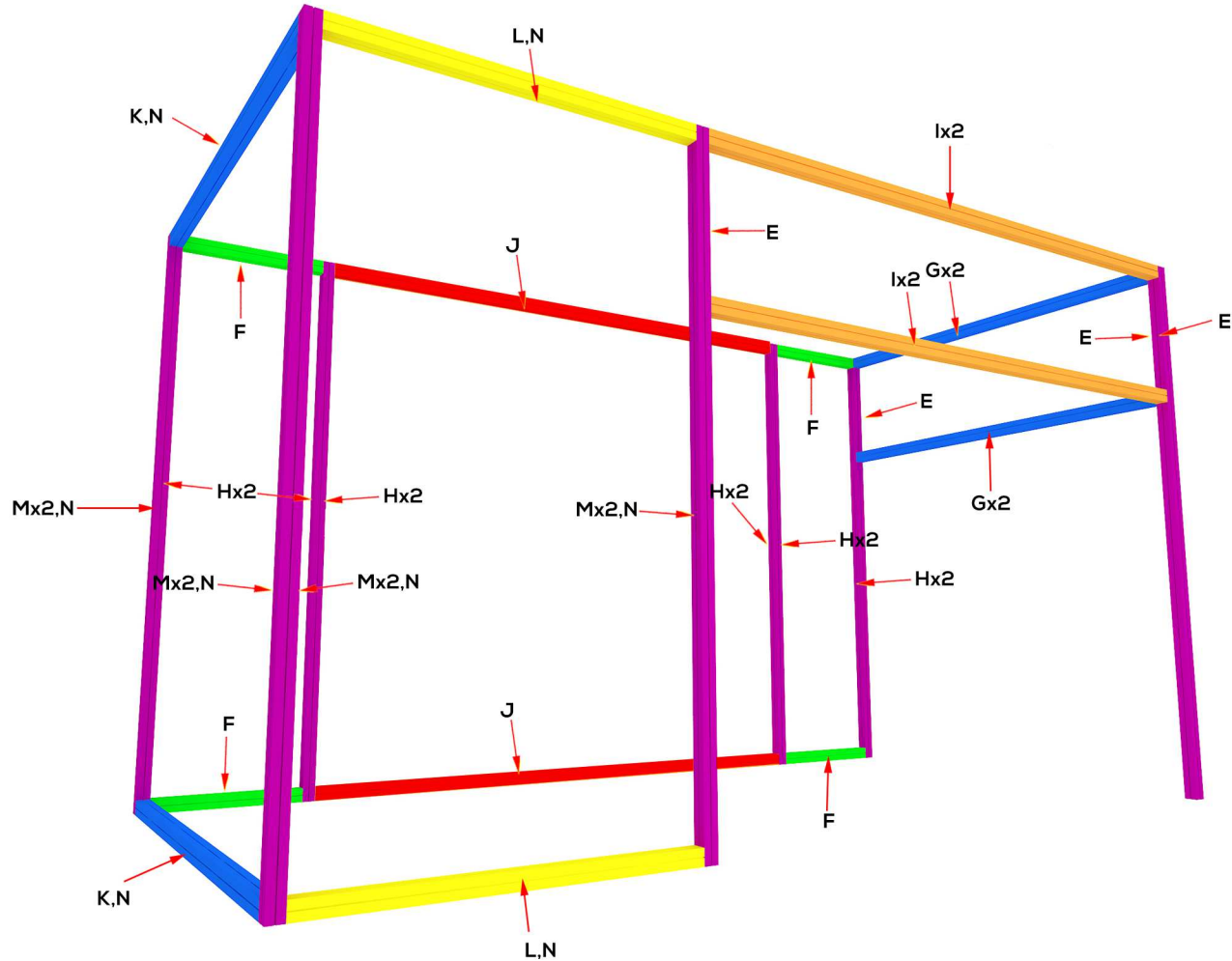
- CABO 80 Profile Connection**
1. Line up lock with system groove on vertical profile
 2. Insert teeth of lock into groove
 3. Use torx tool to tighten lock (turn clockwise to tighten)



- CABO-80-ADPT Connection**
1. Insert CABO-80-ADPT into one CABO-80 profile
 2. Slide opposing CABO-80 profile onto CABO-80-ADPT
 3. Tighten screws on CABO-80-ADPT to secure profiles in place

REF	SKU	QTY	Length
A	CABO-80	14	76.4"
B	CABO-80	2	119.8"
C	CABO-80	4	113.6"
D	CABO-80	2	74.8"
E	CABO-80	4	52.2"
F	CABO-80	2	152.5"
F	CABO-80-ADPT	7	n/a

SEG Attachments



CABO-SEG-PLASTIC



CABO-SEG-PLASTIC Installation

1. Line up clip of CABO-SEG-PLASTIC with system groove of profile
2. Press CABO-SEG-PLASTIC down to lock into place.

CABO-80



CABO-80-SEG Installation

1. Unscrew CABO-HHS and feed through holes on CABO-80-SEG
2. Line up CABO-HHS with system groove on profile CABO-80-SEG will attach to
3. Tighten CABO-HHS clockwise to secure

REF	SKU	QTY	LENGTH
E	CABO-SEG-PLASTIC	4	32.6"
F	CABO-SEG-PLASTIC	4	68.4
G	CABO-SEG-PLASTIC	4	56.85"
H	CABO-SEG-PLASTIC	12	73.2"
I	CABO-SEG-PLASTIC	4	76.35"
J	CABO-SEG-PLASTIC	2	120"
K	CABO-80-SEG	2	74.7"
L	CABO-80-SEG	4	56.85
M	CABO-80-SEG	8	73.2"
N	CABO-HHS	57	n/a