

Hopup Dimension Kit 02

DIMENSION KIT 02: HOP-DIM02-3X3FG-S

ACCESSORY 02: HOP-DIM02

Hopup™ Backwall Dimensions add style, flare and function to any 7½' or 10' wide Hopup straight display. Easily accessorize your Hopup with monitor mounts, counters, tables, and more messaging real estate. Purchase as a complete kit or as an accessory for your existing straight Hopup. Dimensional elements can be placed in the middle, left or right sides of the display.



**DIMENSION KIT 02:
HOP-DIM02-3X3FG-S**



**ACCESSORY 02:
HOP-DIM02**

features and benefits:

- **Dimension Kit 02 includes:** 7½' wide full height straight backwall, stand-off counter supports max 35 lbs, counter features graphic and literature holder, monitor mount, and two Lumina 200 lights

- **Accessory 02 includes:** stand-off counter with fabric printed graphic, literature holder and monitor mount
- Lifetime limited hardware warranty against manufacturer defects

dimensions:

Hardware:

Dimension Kit 02 assembled unit:
92" w x 91" h x 32" d
2337mm(w) x 2312mm(h) x 813mm(d)

Stand-off counter:
36" w x 36.5" h x 12.5" d
914mm(w) x 927mm(h) x 318mm(d)

Dimension Kit 02 Weight:
46 lb / 21 kg

Accessory Kit 02 Weight:
22 lb / 10 kg

Carry bag: 2 lb / 1 kg

Shipping:

Shipping dimensions:
Dimension Kit 02 (two boxes):
36" l x 13" h x 12" d
914mm(l) x 330mm(h) x 305mm(d)

Accessory Kit 02 (one box):
40" l x 18" h x 7" d
1016mm(l) x 457mm(h) x 178mm(d)

Shipping weight:
Dimension Kit 02 (two boxes): 48 lb / 22 kg
OCP2 upgrade option: 84 lb / 38 kg

Accessory Kit 02 (one box): 24 lb / 11 kg
OCP2 upgrade option: 57 lb / 26 kg

Graphics:

Refer to related graphic template for more information.

Visit exhibitors-handbook.com/graphic-templates

additional information:

Graphic material:
Dye-sublimation zipper pillowcase fabric

Counter holds max weight of 35 lb

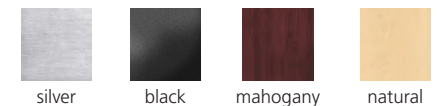
Monitor* mount supports 23" monitor, max weight = 30 lb (monitor not included)

Accessory Kit 02 does not include backwall frame or lights

When included in a larger kit, a different packaging solution will be listed to accommodate all contents of the kit. Individual packaging no longer provided.

Counter Only with Literature Holder
HOP-DIM-COUNTER W/LIT RACK

Tabletop Colors:



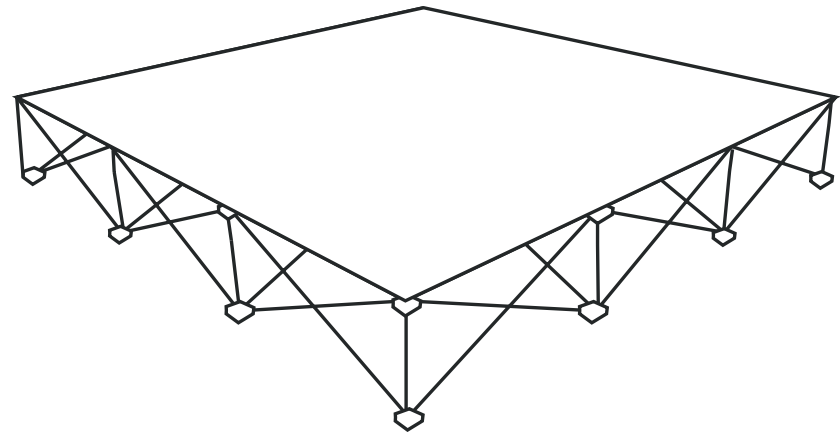
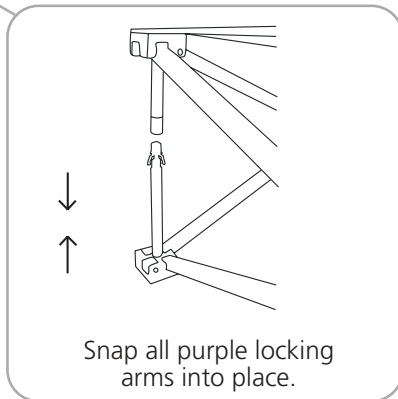
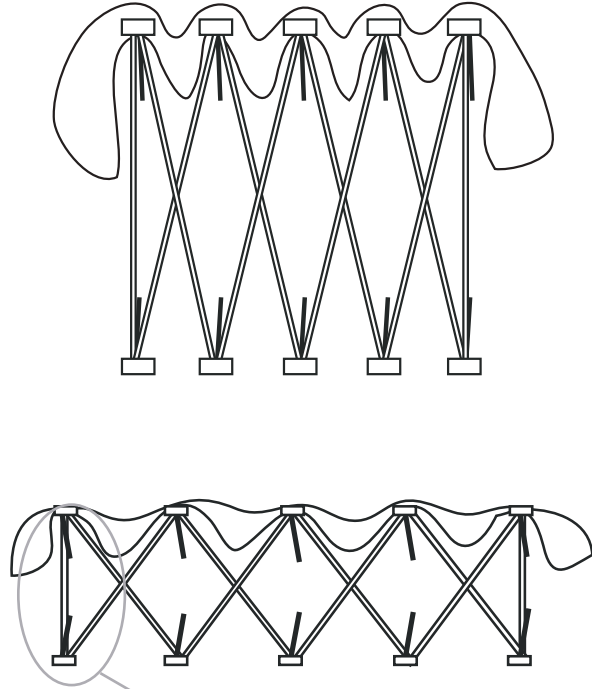
2 person assembly recommended:



We are continually improving and modifying our product range and reserve the right to vary the specifications without prior notice. All dimensions and weights quoted are approximate and we accept no responsibility for variance. E&OE. See Graphic Templates for graphic bleed specifications.

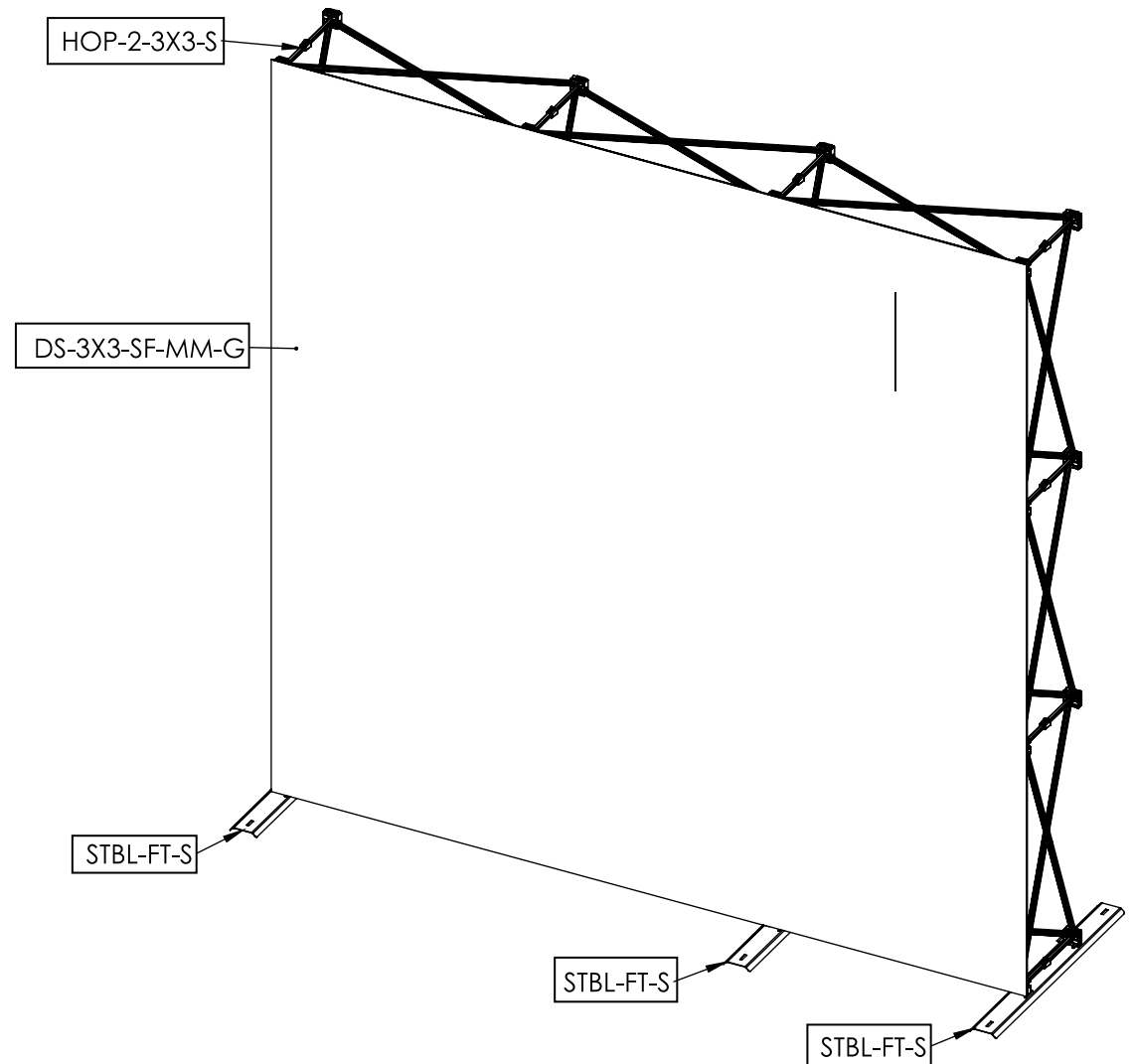
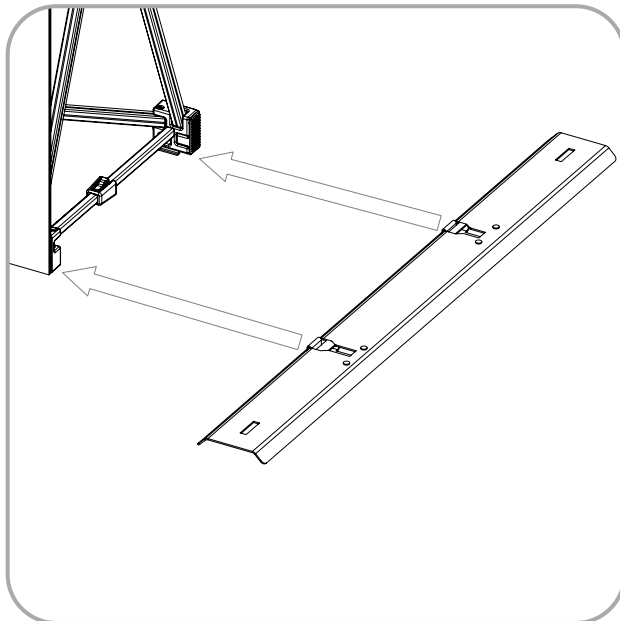
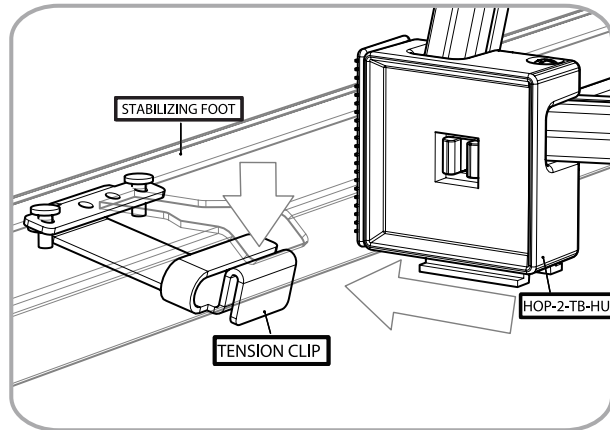
STEP 1: ASSEMBLE FRAME

- Remove unit from rolling bag.
- Stretch frame to size, making sure webbing is not wrapped around purple locking arms.
- Pull frame outward and align purple locking arms.
- Snap all purple locking arms into place.
- Graphic comes pre-attached to Hopup frame. If unit has endcaps, attach endcaps to frame with hook and loop fastener.



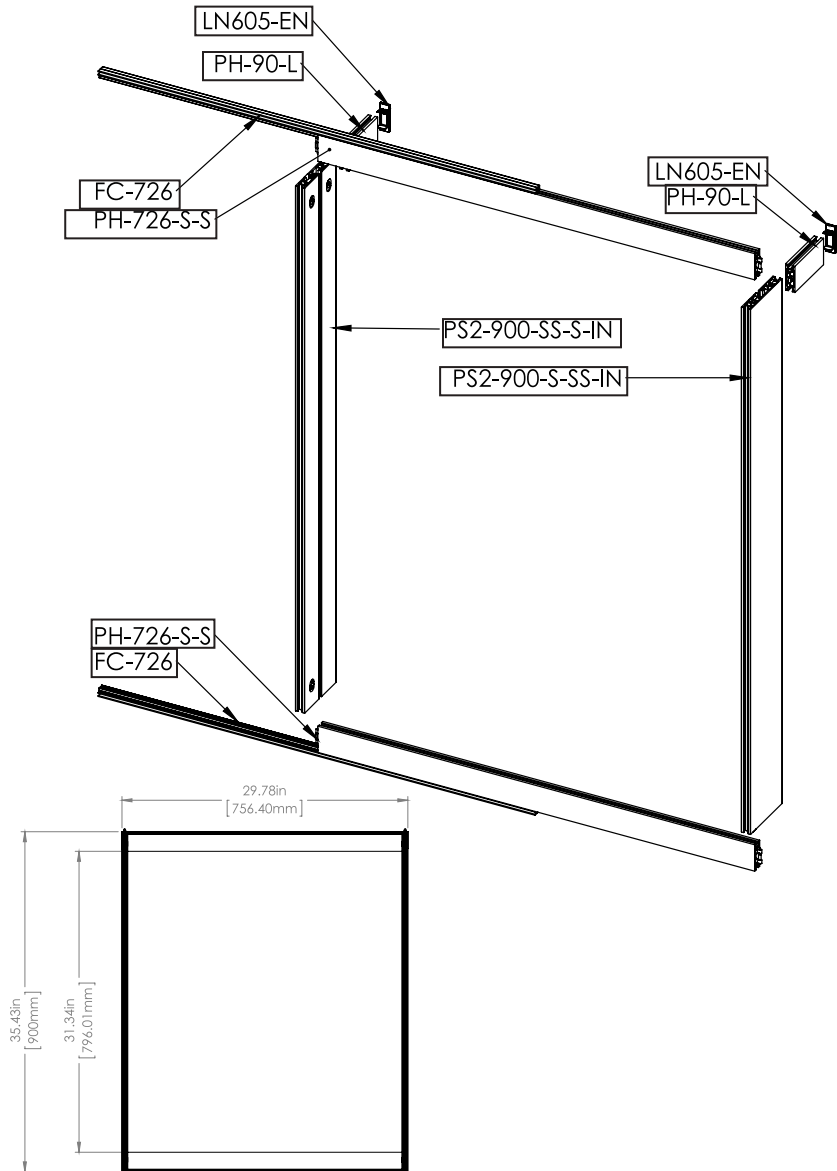
STEP 2: ATTACH STABILIZER FEET

- Flip Hopup on side to access bottom hubs.
- Start with the largest end of the opening and slide stabilizer foot over both hubs. Feet will fit snugly. Push down on the tension clip to insert the hub into the stabilizing foot.
- Stabilizing feet will securely snap lock onto hubs. To release foot press tab and slide.
- Attach the large stabilizing feet on bottom. Then, attach the three smaller stabilizing feet (labelled call outs in the image at the right).



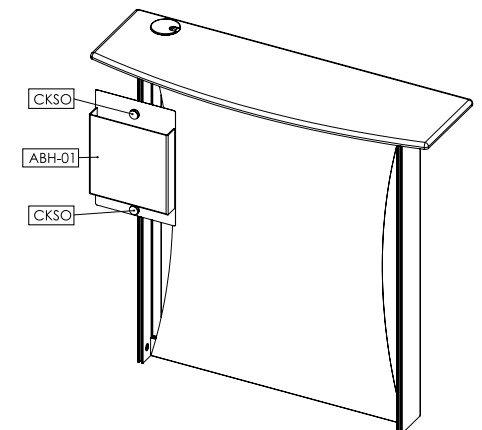
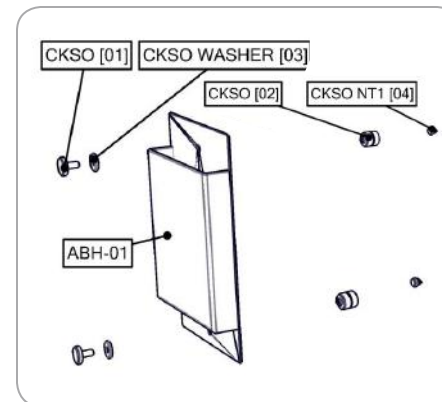
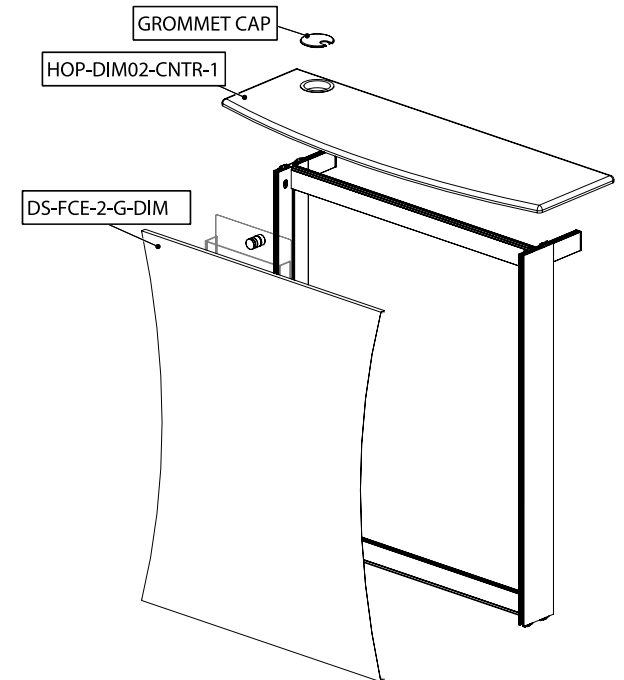
STEP 3: ASSEMBLE COUNTER FRAME

- Lock the PH-90's with LN605-EN's onto the rear channels of the PS2-900's at location shown in image. With the Allen Key tool, turn only one quarter turn to lock into place.
- Slide the FC-726's into the PH-726's upper and lower most channel. The FC channel must face forward for graphic silicone edge application.
- Lock PH-726's into the center channels of the PS2-900's. Make sure the FC is flush with the top and bottom edges of the PS2-900's.



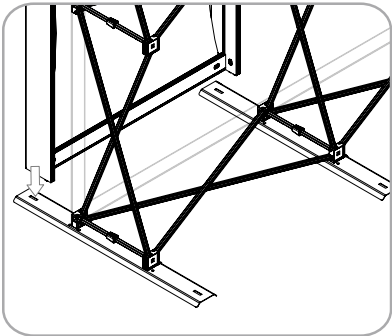
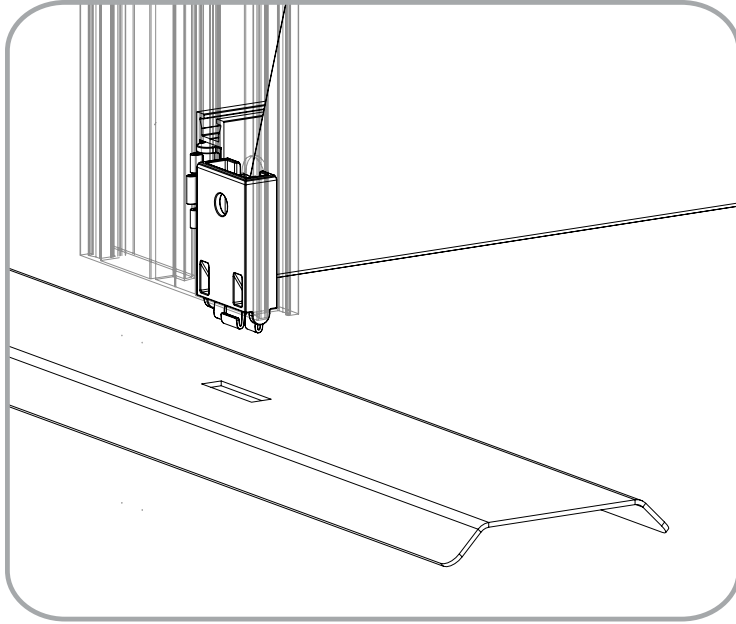
STEP 4: ATTACH GRAPHIC & LIT RACK

- Push silicon graphic edge (DS-FCE-2-G-DIM) into FC-726 channel.
- Attach counter top with grommet cap to extrusion using fixed cam lock. With Allen key tool, turn only one quarter turn to lock into place.
- Assemble literature rack to counter with stand-offs.



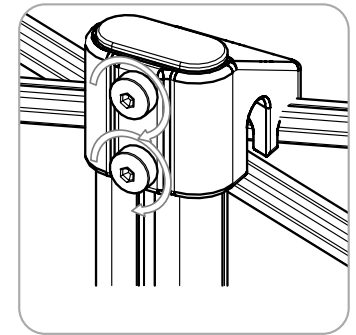
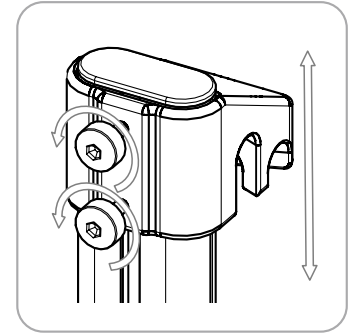
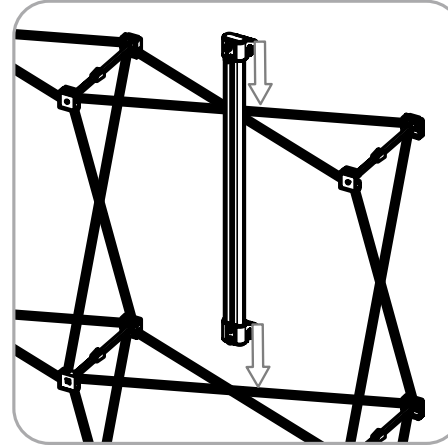
STEP 5: ATTACH COUNTER TO FRAME

- Lock counter frame onto top and bottom stabilizing feet, using fixed cam lock. With Allen Key tool, turn one quarter turn to lock into place.



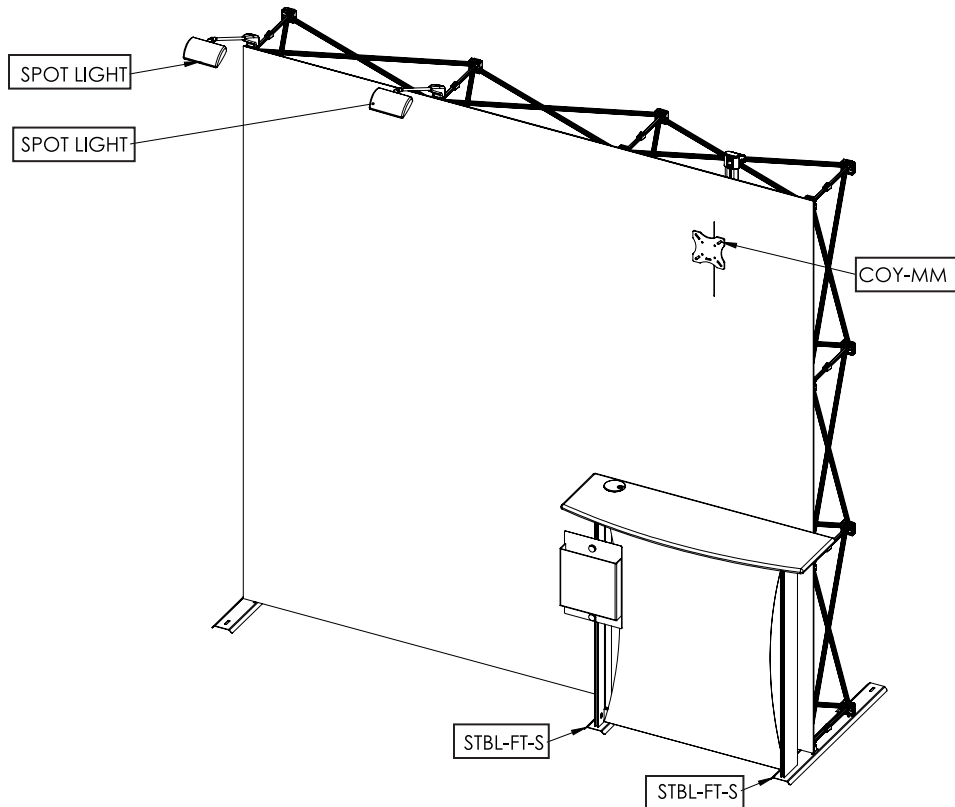
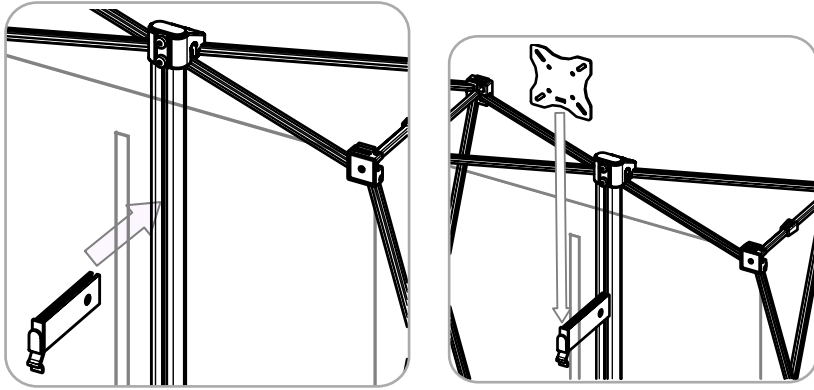
STEP 6: ATTACH MONITOR MOUNT SUPPORT

- Loosen screws on monitor mount to adjust hubs.
- Place hubs on the frame.
- Tighten screws to secure mount.



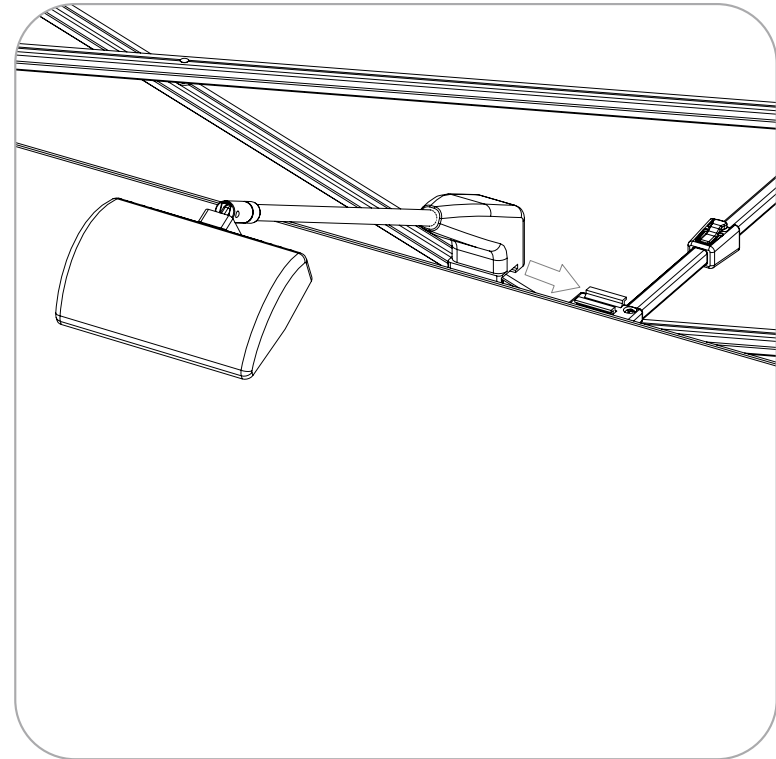
STEP 6 CONTINUED:

- Attach mounting arm through slit in the graphic.
- Attach monitor to bracket and snap onto arm.



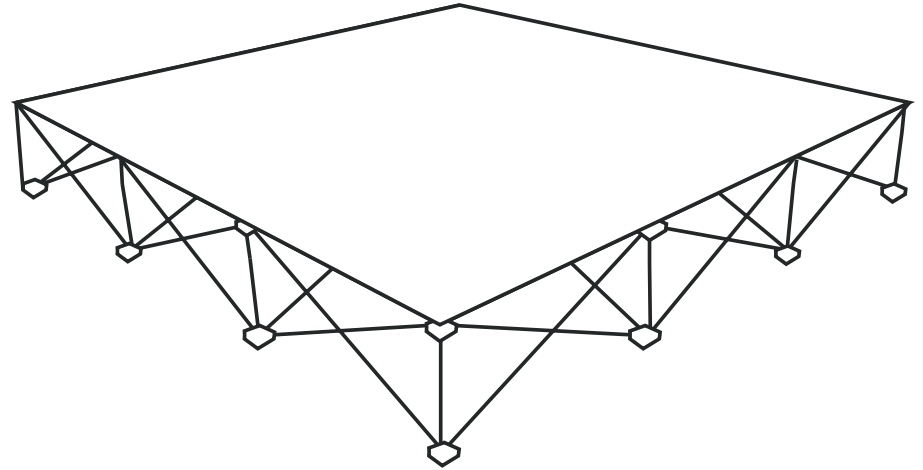
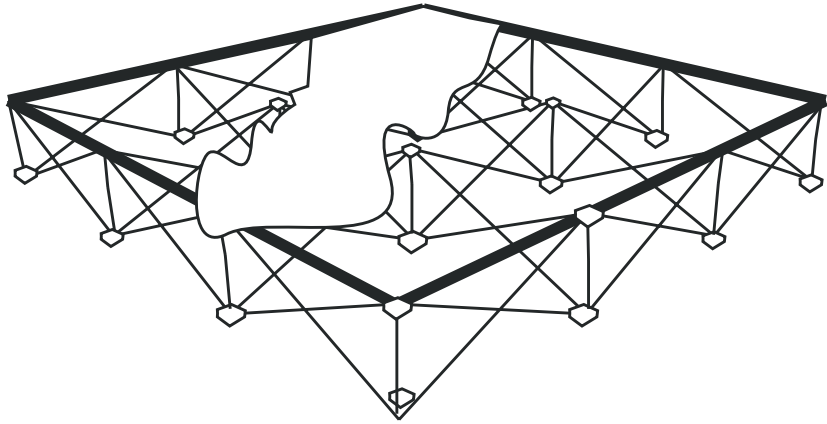
STEP 7: ATTACH LIGHTS

- Attach lights by sliding light onto the dovetail on the hub at the top of the frame.



HOPUP GRAPHIC ATTACHMENT:

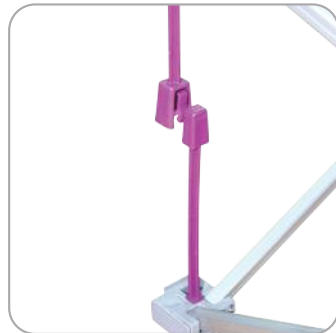
- Graphic comes pre-attached to frame. Graphic attaches to the frame with hook and loop fastener.
- To re-attach start in one corner and move on to the next. Graphic application is then complete.



to ensure quality, please note:



If the webbing is wrapped around the purple locking arm, the arm can snap off when opening the unit.



When setting up, ensure that the arms are aligned. If not, the arms will snap when pressure is applied.



When packing unit in the bag, ensure that the strap is not partially wrapped around an arm. If it is, the arm will snap when pulled out of the bag.



When placing in a non-roller bag, ensure that arms are not outside of the bag.



Do not use the purple locking arm to lift unit. ALWAYS lift by the frame.