

MONITOR OBSTRUCTION

Vector Frame Monitor Kiosk 01: VF-MK-01-CC-G

Graphic with Monitor Mount

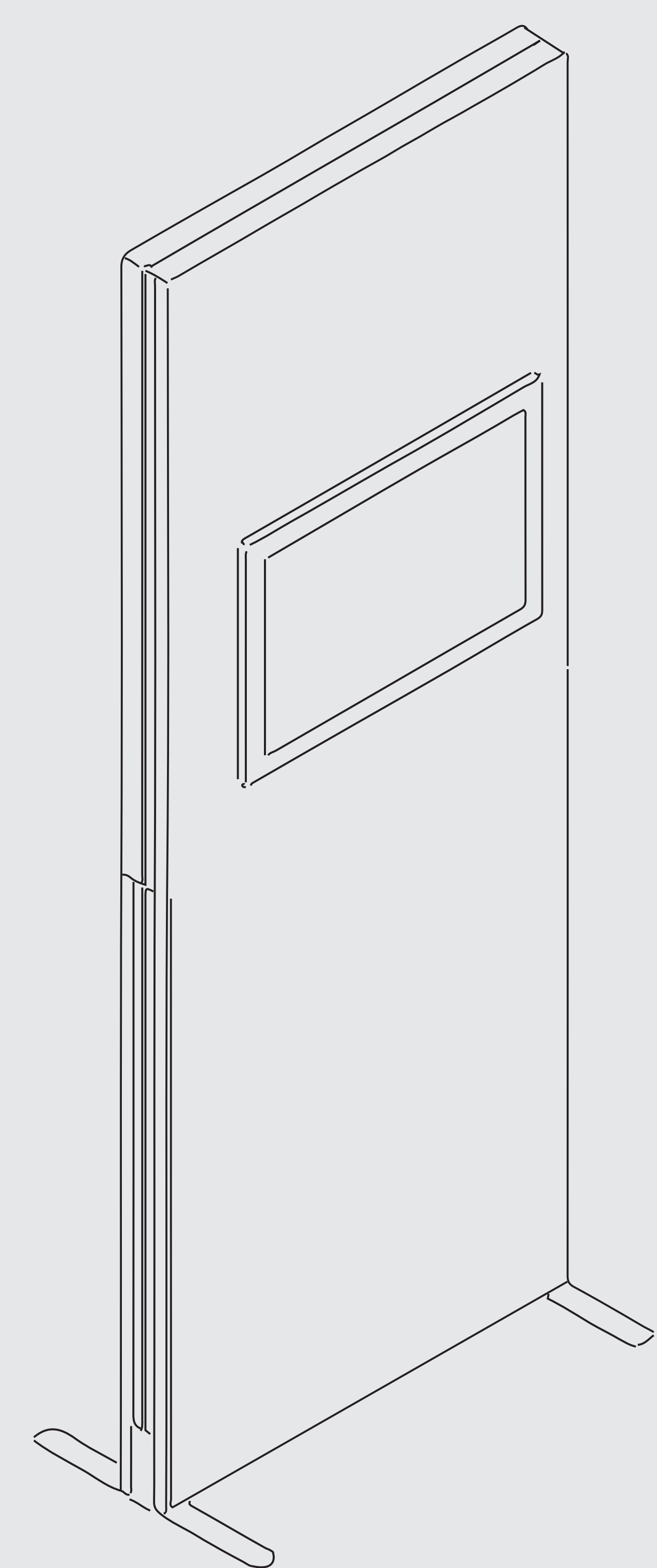
Total graphic area: 39.3125" w X 98.375" h

Total finished area: 35.3125" w X 94.375" h

Please be sure to include the 2" bleed around the perimeter (note trim & stitch locations on template). DO NOT design any critical elements (text, logos, etc.) within 2" of the edge. Design on this template if you are ordering VF-MK-01-SS-G.

please include separate design built on the VF-MK-01-NC-G template if you are ordering VF-MK-01-SS-GDBL.

please include separate design built on the VF-MK-01-CC-G template if you are ordering VF-MK-01-DS-GDBL and artwork will be different on each side.



General Art Guidelines:

- CMYK Color Mode
- All Solid Coated Pantone colors should be called out in the art as spot colors
- Embed all images and support files
- Resolution must be 100-120 ppi
- All fonts must be created to outlines
- Do not scale artboard
- Background color/images must bleed to the edge of artboard
- Do not use spot colors from template in your artwork as they will not print

bleed area —
trim line —
safe zone —