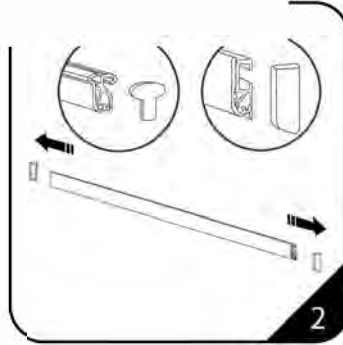


INSTALLATION STEPS

SILVER WING



1. The case should contain a base unit, 3-piece pole and upper banner.



2. Remove the plastic end caps from the upper beam.



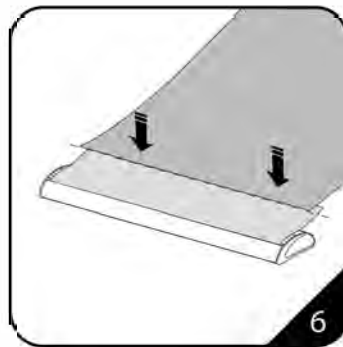
3. Pull apart gently the beam's locking lip in order to attach the top edge of the banner. Ensure the front of the banner faces forward as the same side as the front of the lip.



4. Slide the top of the graphic under the lip (it should allow for approx. 3/8" or 1cm insertion) and close the lip to secure the graphic.



5. Then finish the top by re-attaching the plastic end caps.



6. Peel off the adhesive cover along the edge of the base's leader roll, and attach the bottom of the banner (front facing up). **Make sure the banner is straight.**



7. Finish securing the banner to the leader with a strip wide (1 1/2" or equiv.) packing tape along the inside of the edge.



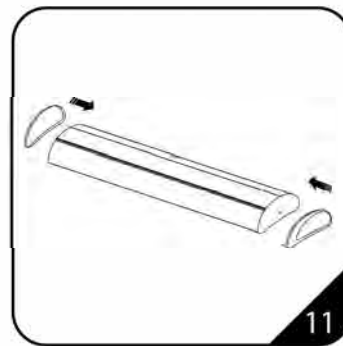
8. Peel off the cover.



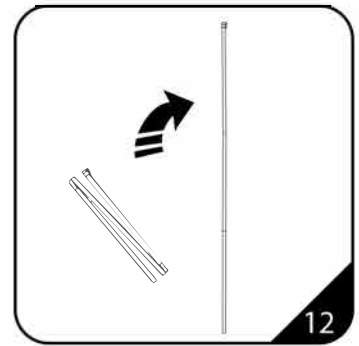
9. Peel off the cover, remove the screw underneath the chrome end of the base and detach. Then, with the graphic held firmly, carefully pull out the retaining pin, then put it into the cover.



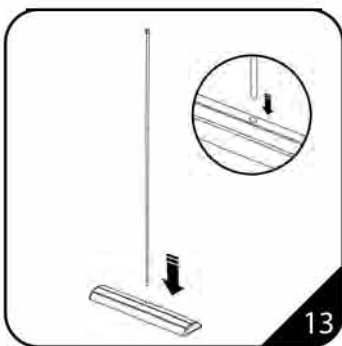
10. Carefully allow the graphic to recoil into the base unit (it may be useful to have an assistant hold the base steady)



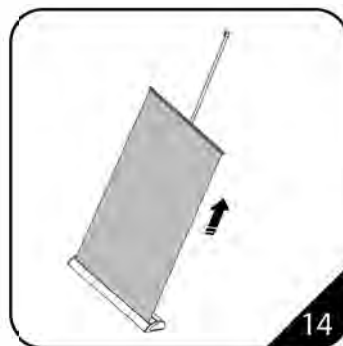
11. Reattach the chrome ends.



12. Unfold the pole and slip the pieces together to assemble it to a rigid pole (the hooked end corresponds to the top and the round end belongs to the bottom base).



13. The bottom of the assembled pole slides into the round socket in the centre of the base unit.



14. Unfurl the banner out of the base by tilting the unit backwards (this makes unraveling the graphic easier).



15. The hook at the top of the pole slips into the rear slot of the banner beam. A marker on the beam indicates the beam's centre where the pole should be inserted.

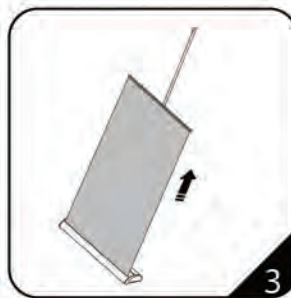


16. The unit can be levelled by adjusting the threaded feet at the bottom of the base unit.

SILVER WING

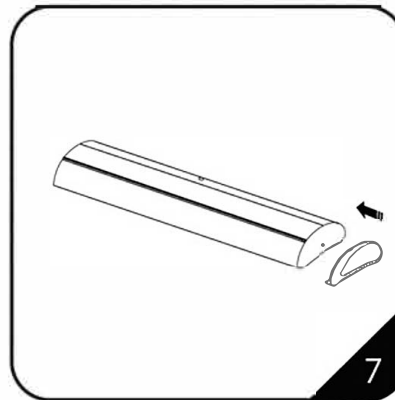
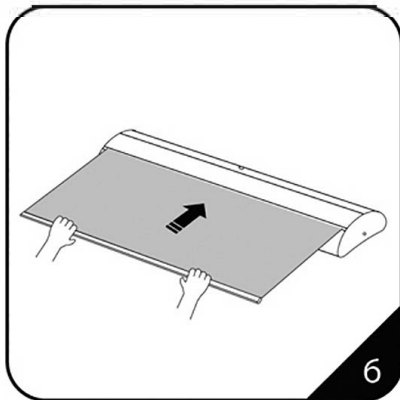
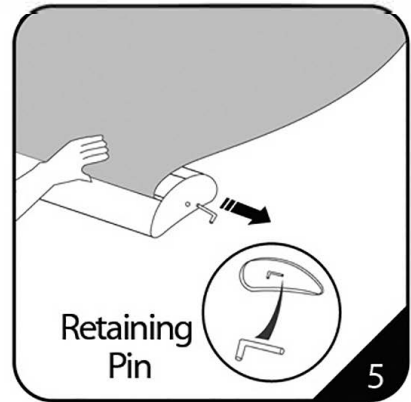
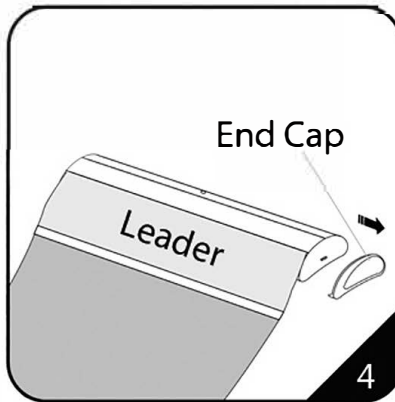
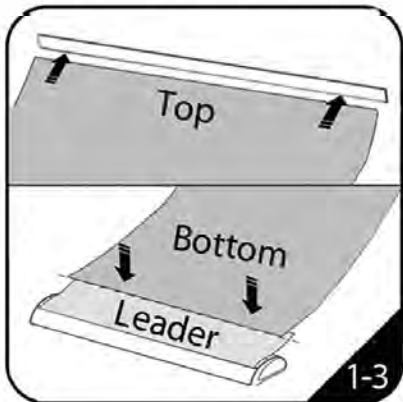
INSTRUCTIONS

1. Unfold pole and assemble by slipping the pieces together (the hooked end to the top and the round end to the bottom base).
2. Slide bottom of pole into round socket in center of base unit.
3. Pull banner out of base by tilting the unit backwards (this makes unraveling the graphic easier).
4. Slip hook at top of pole into rear slot of banner beam.



SET UP

1. Attach hook and loop strips to the top and bottom of the back of banner.
2. Attach top bar to the banner
3. The banner to the leader.
4. Peel off the chrome end cap.
5. With the graphic held firmly, carefully pull out the retaining pin, then put it into the cover.
6. Carefully allow the graphic to recoil into the base unit (it may be useful to have an assistant hold the base steady).
7. Reattach the chrome end cap.



INSTALLATION
STEPS