

# Formulate Designer Series 30' Backwall - Kit 05

## FMLT-DS-30-05

Formulate® Designer Series 30ft displays have unique stylistic features and shapes, are portable and easy to assemble. The aluminum tube frame features snap-buttons and/or spigot connections and zipper pillowcase fabric graphics. All displays come in portable, wheeled transit cases. Simply pull the pillowcase fabric graphic(s) over the frame and zip.



## features and benefits:

- Premium aluminum tube frames with snap button assembly
- Straight shaped frames
- Easy to store and ship
- Quick to set up
- Weighted feet for added stability
- Three zipper pillowcase fabric graphics
- Lifetime limited hardware warranty against manufacturer defects

## dimensions:

### Hardware

Assembled unit:  
342.39" w x 96" h x 17.72" d  
8697mm(w) x 2438mm(h) x 450mm(d)

Approximate weight with cases:  
114 lbs / 51.7 kgs

### Shipping

Packing case(s):  
2 OCE

Shipping dimensions:  
OCE: Expandable case length (l) may vary  
40" - 66" l x 18" h x 18" d  
1016mm-1677mm(l) x 458mm(h) x 458mm(d)

Approximate total shipping weight  
(includes cases & graphics):  
146 lbs / 66.2 kgs

### Graphic

Refer to related graphic template for more information.

Visit:  
[www.exhibitors-handbook.com/graphic-templates](http://www.exhibitors-handbook.com/graphic-templates)

## additional information:

Graphic material:  
dye-sublimation zipper pillowcase fabric

We are continually improving and modifying our product range and reserve the right to vary the specifications without prior notice. All dimensions and weights quoted are approximate and we accept no responsibility for variance. E&OE. See Graphic Templates for graphic bleed specifications.

# Included In Your Kit

Tools, Components, & Connectors



ALLEN KEY SET x1



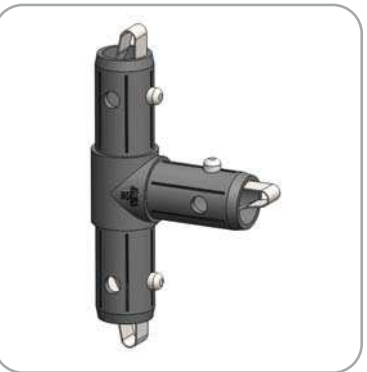
TC-30-90B x6



TC-30-90T x2



TC-30-S x4



TC-30-T x12



TC-30-X x3



PLT-BP-LN114-S2-450 x2



PLT-BP-LN114-S3-450 x2

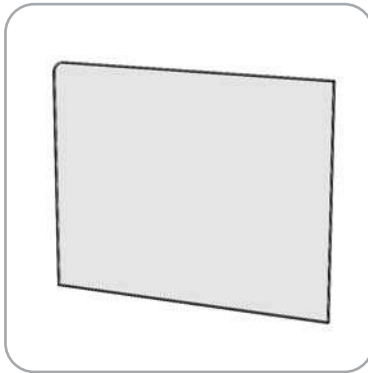


LN114-SCRW x6

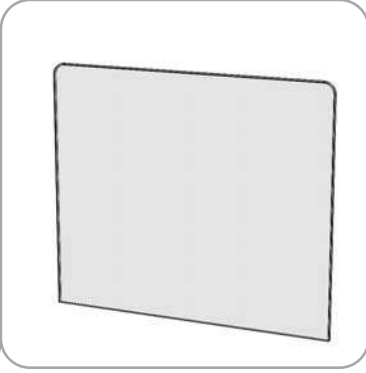


TCP-3030-R x2

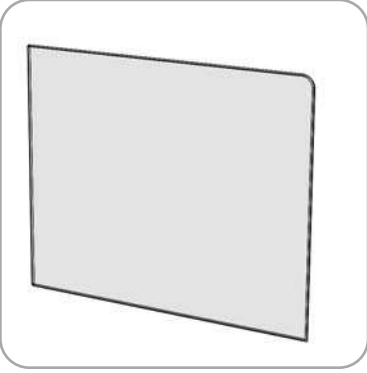
Graphics



FMLT-DS-30-05-A-G x1



FMLT-DS-30-05-B-G x1



FMLT-DS-30-05-C-G x2

# Included In Your Kit

Tubes



DS-30-05-T1 x14



DS-30-05-T2 x4



DS-30-05-T3 x11



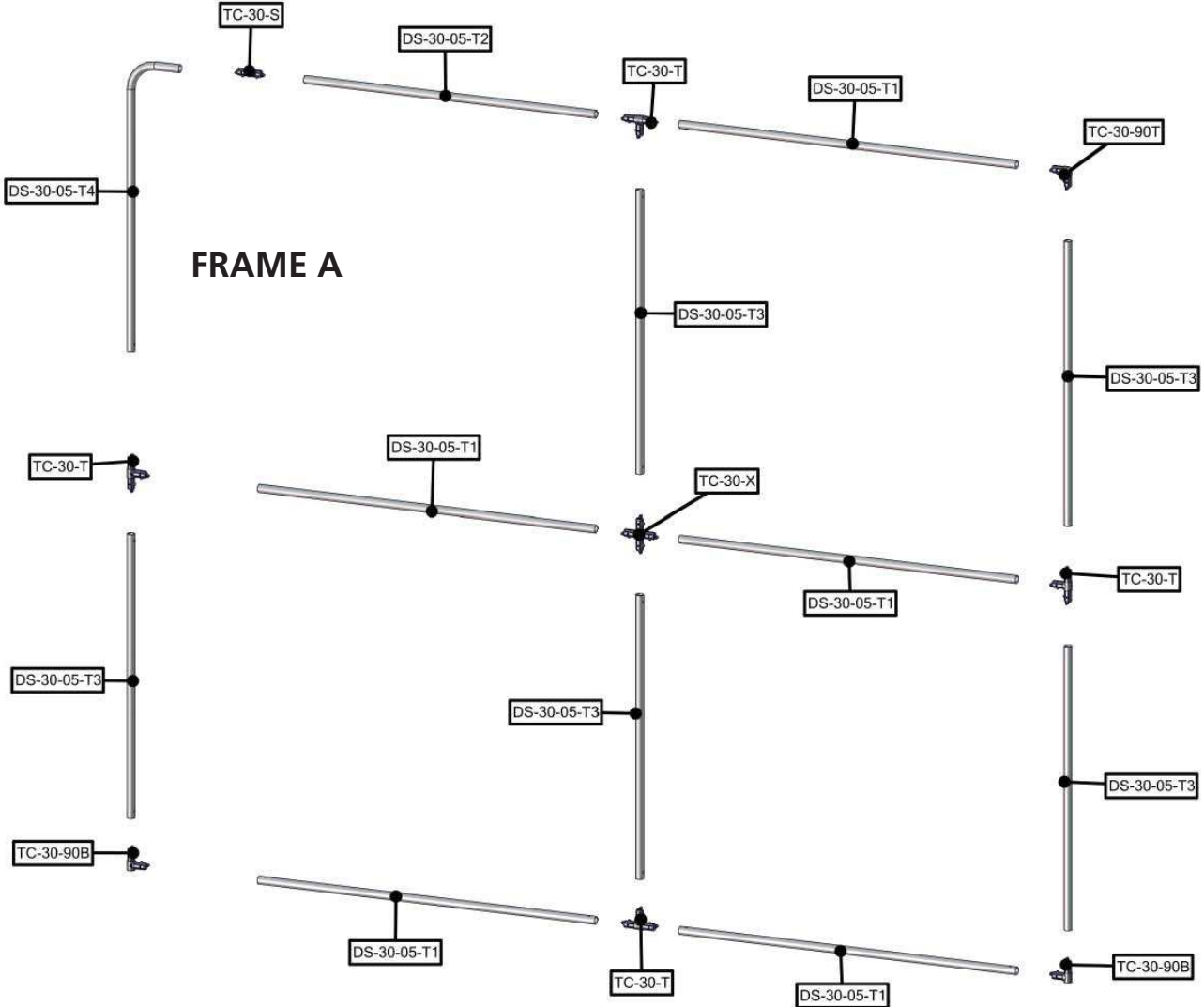
DS-30-05-T4 x4



DS-30-05-T5 x3

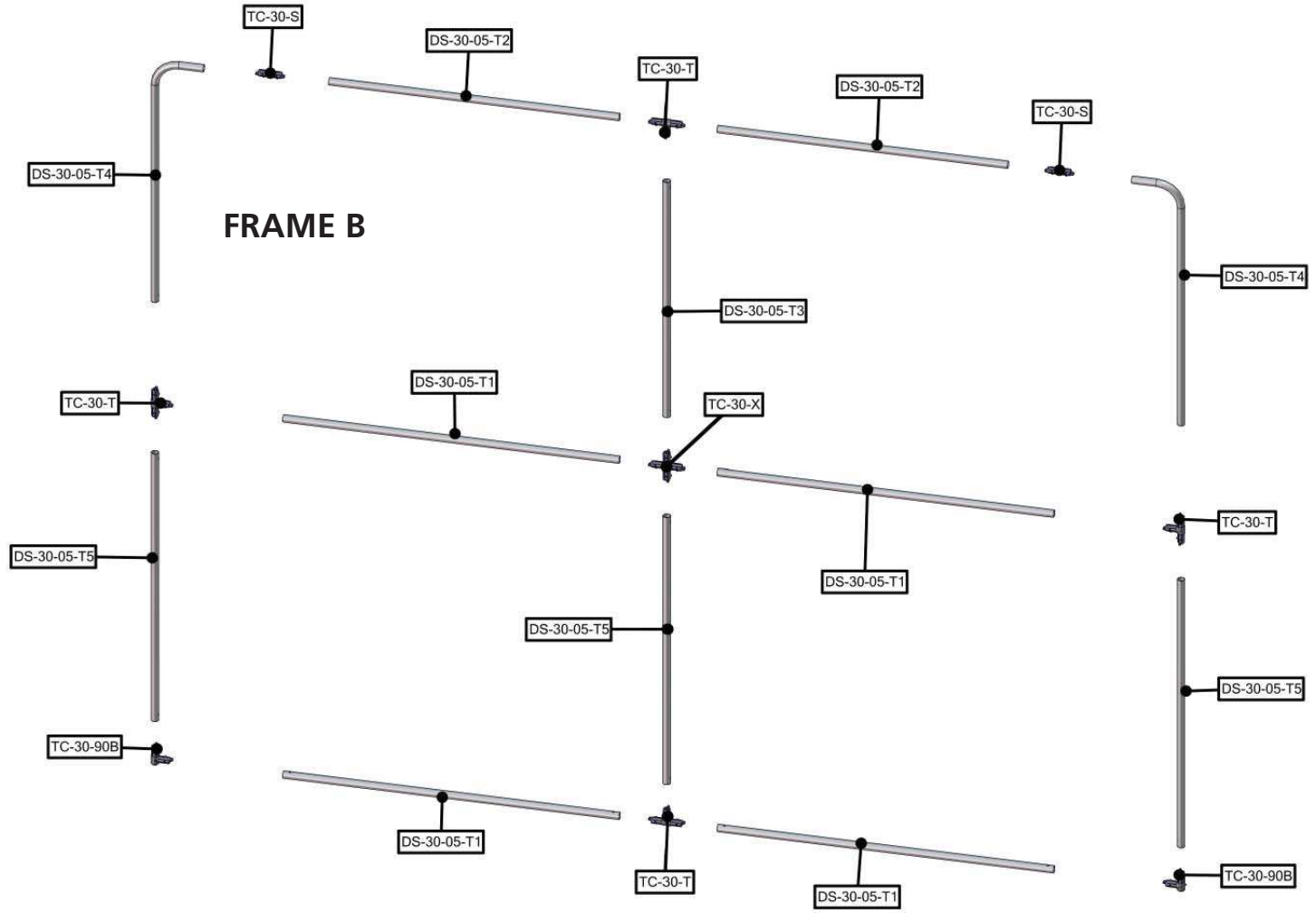
# Exploded View

FMLT-DS-30-05



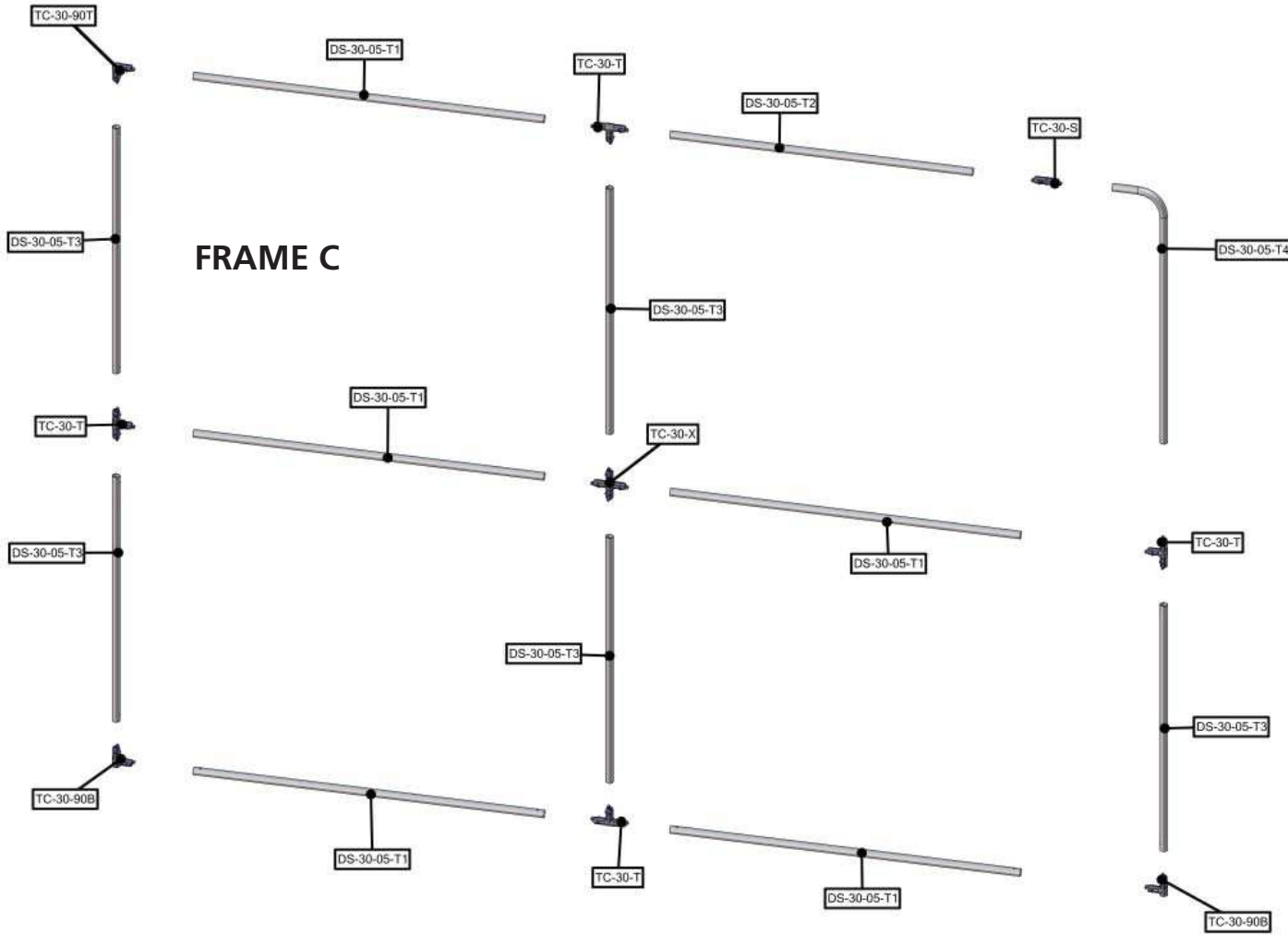
# Exploded View

FMLT-DS-30-05



# Exploded View

FMLT-DS-30-05

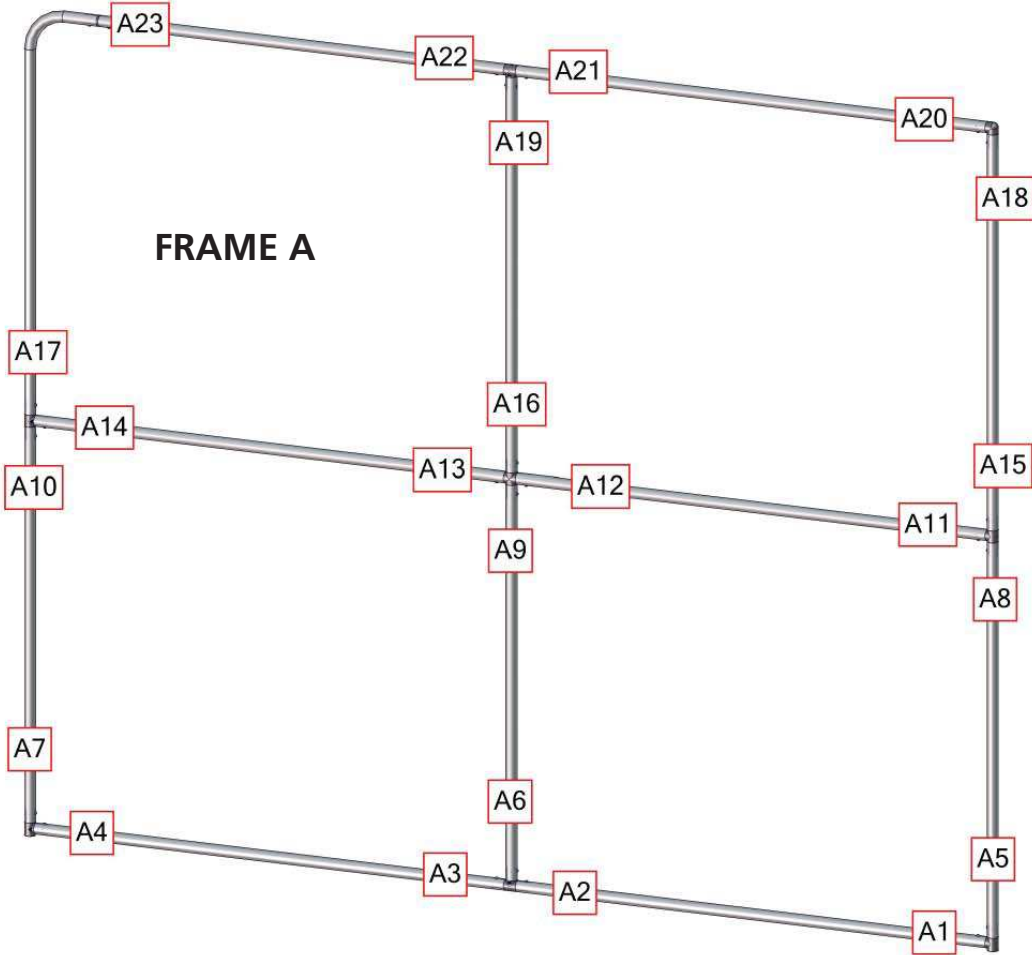


# Labeling Diagram

FMLT-DS-30-05

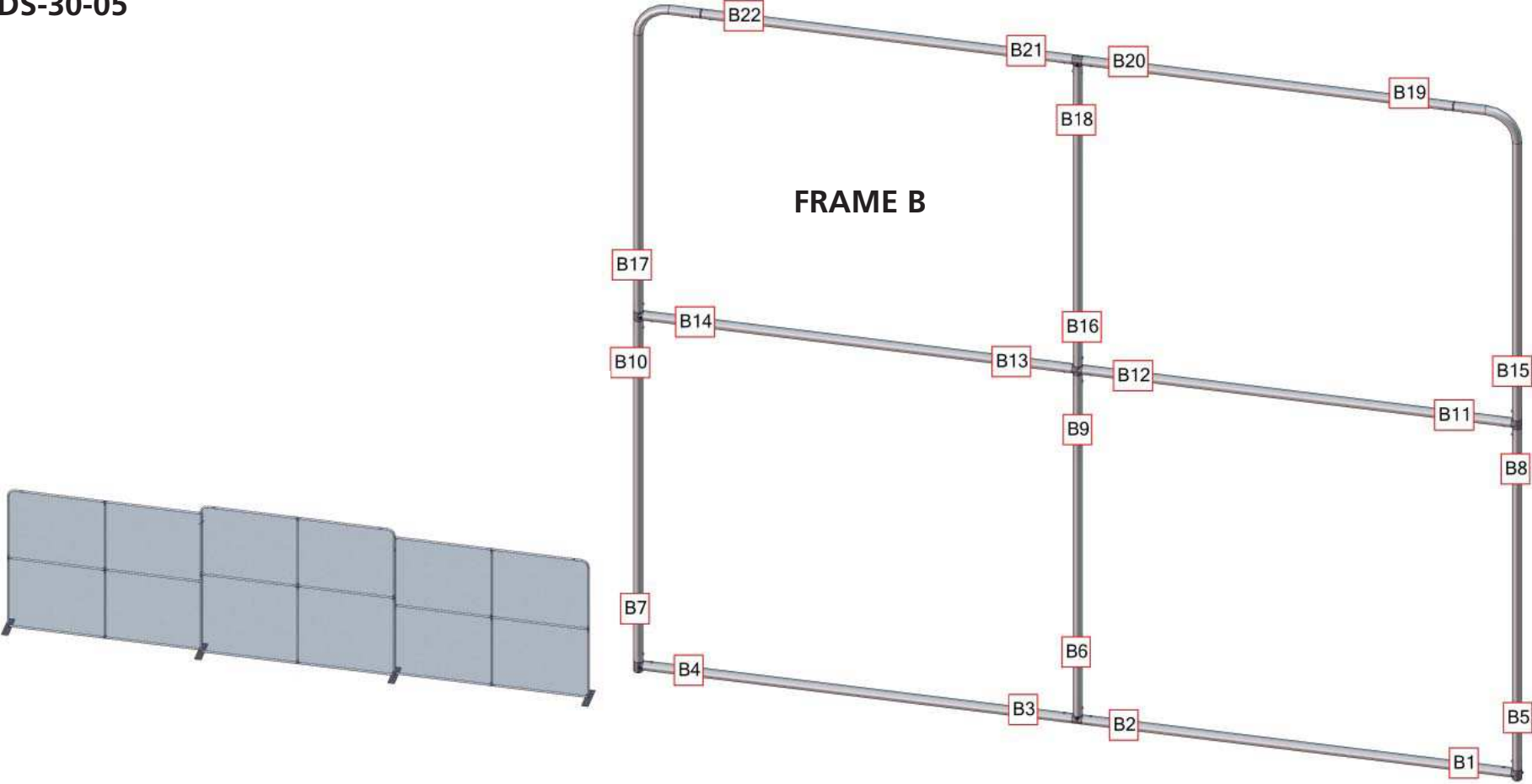


OVERVIEW



# Labeling Diagram

FMLT-DS-30-05

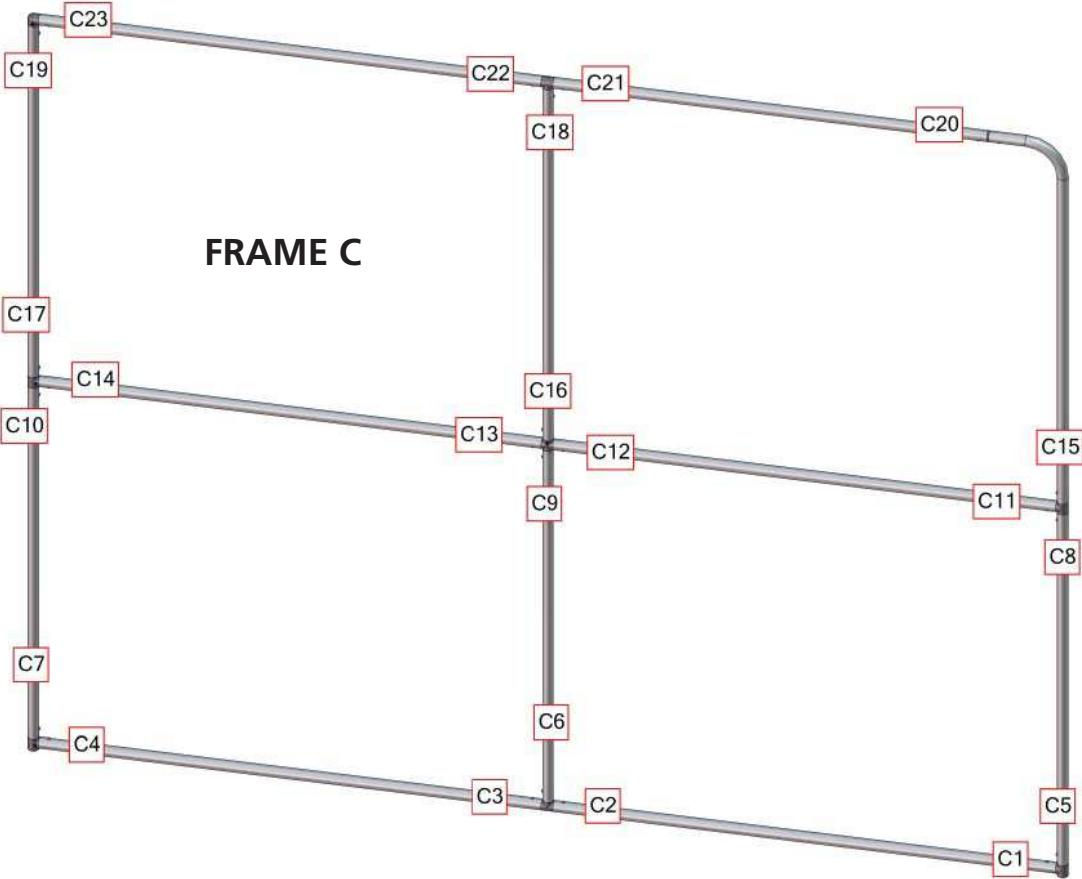


OVERVIEW



# Labeling Diagram

FMLT-DS-30-05

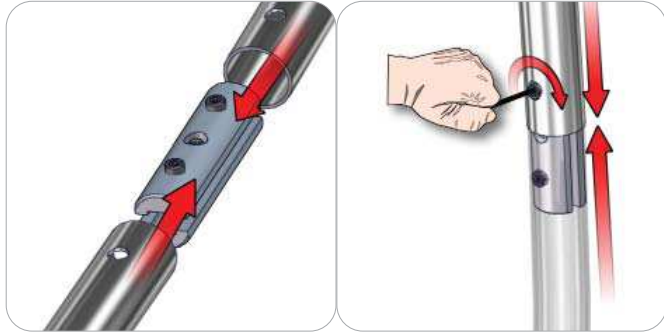


OVERVIEW

# Connection Methods

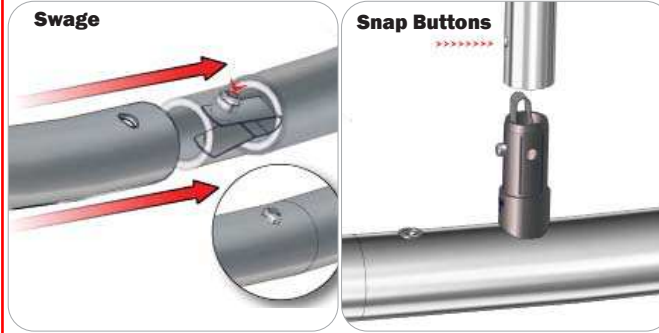
Formulate™ structures use a number of different yet simple connection methods. Your kit will include one or more of the connection methods shown below. Steps within the Kit Assembly will reference a specific method for each connection point.

## Connection Method 1: ES30 / ES50 / ES75



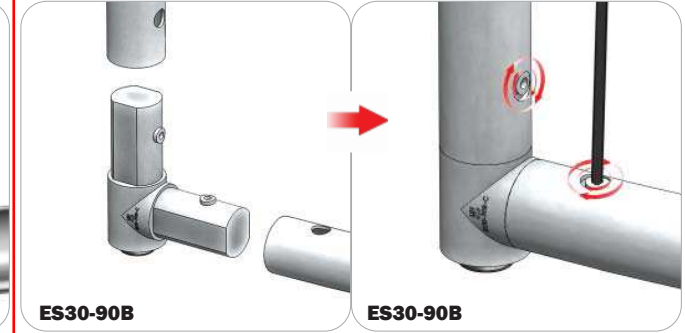
Compress the unlocked connector and slide one tube onto each end. Lock both screws carefully using your allen key tool. Be sure to lock securely, but do not overtighten.

## Connection Method 2: Snap Buttons & Swage



Locate the snap button on the connector or swage tube. Locate the hole on the corresponding tube. Press the snap button with your thumb and slide the tube and connector together so that the snap button snaps fully into the lock hole. To disassemble, press the snap button and pull apart.

## Connection Method 3: ES30-90B / ES30-I / ES30-C



Compress one unlocked end of the connector and slide it through one tube end. Compress the other end of the connector and slide the second tube on. Lock both screws carefully using your allen key tool. Be sure to lock securely, but do not overtighten.

## Connection Method 4: Tube Clamps



Be sure to fully assemble all frames before using clamps. With the clamp unlocked, place one tube of the first frame into the mouth of the clamp. Place the second tube (if applicable) into the second mouth of the clamp. With both frame's tubes in the clamp, be sure to lock securely, but do not overtighten.

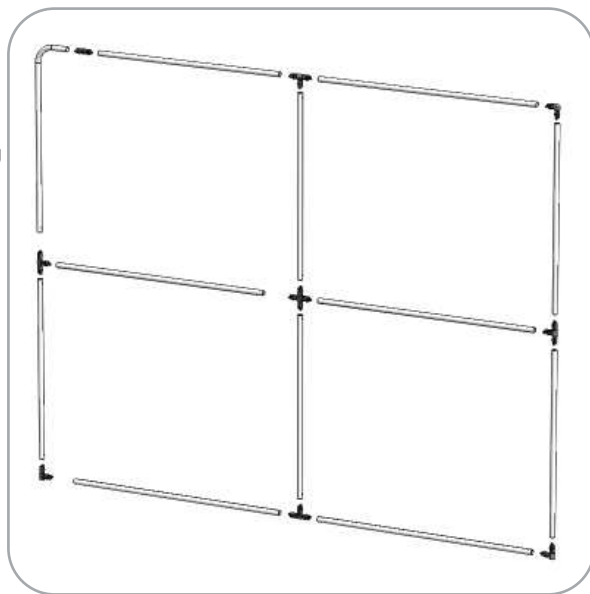
# Kit Assembly

## Step by Step

### Step 1.

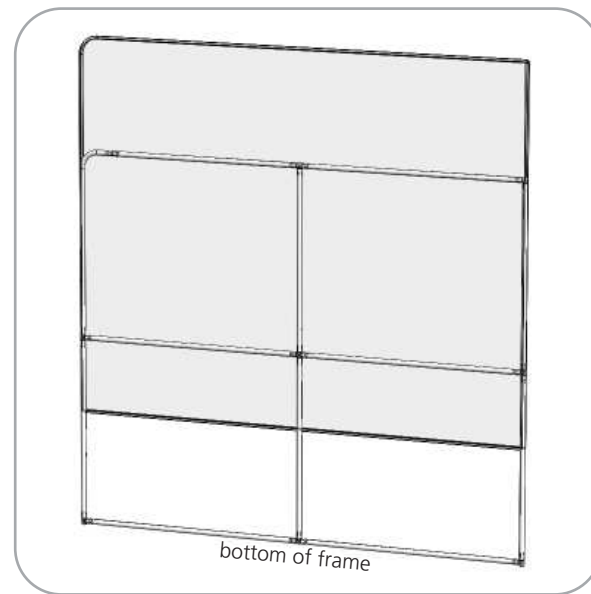
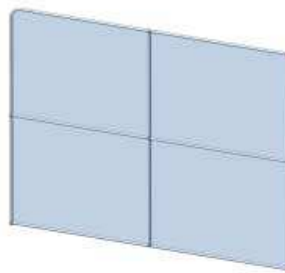
Gather the components necessary for assembling Frame A and lay them flat on the floor. Assemble in the order the Labeling Diagram instructs.

Please reference Connection Method 2 for more details.



### Step 2.

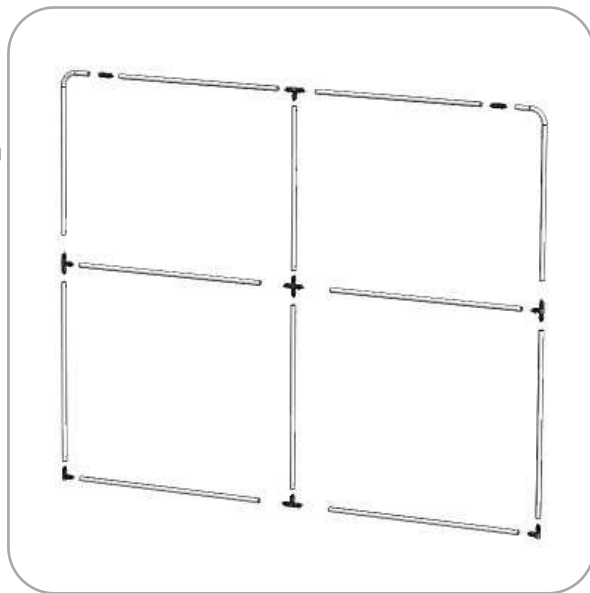
With Frame A laying flat on the floor, locate your pillowcase A graphic. With the pillowcase unzipped, encase Frame A by covering the frame from top to bottom.



### Step 3.

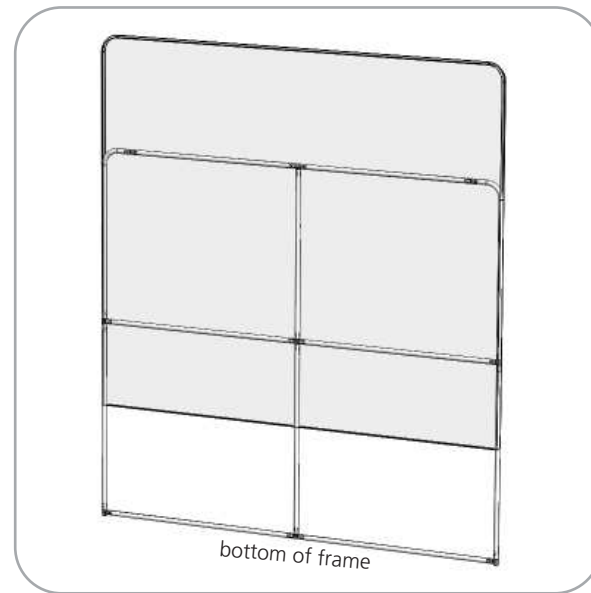
Gather the components necessary for assembling Frame B and lay them flat on the floor. Assemble in the order the Labeling Diagram instructs.

Please reference Connection Method 2 for more details.



### Step 4.

With Frame B laying flat on the floor, locate your pillowcase B graphic. With the pillowcase unzipped, encase Frame B by covering the frame from top to bottom.



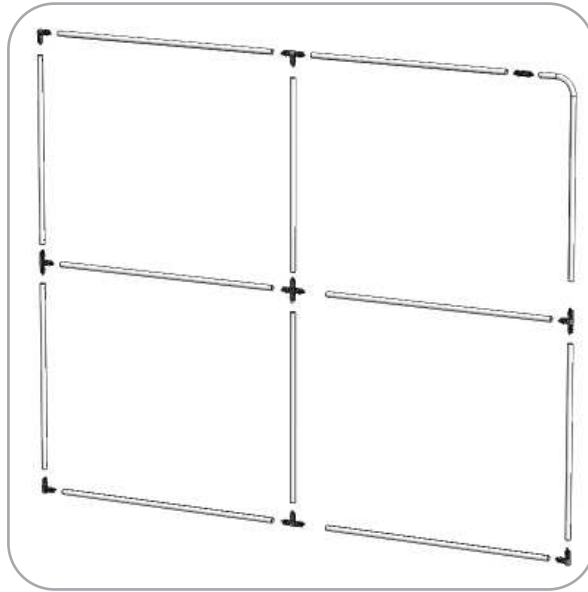
# Kit Assembly

## Step by Step

### Step 5.

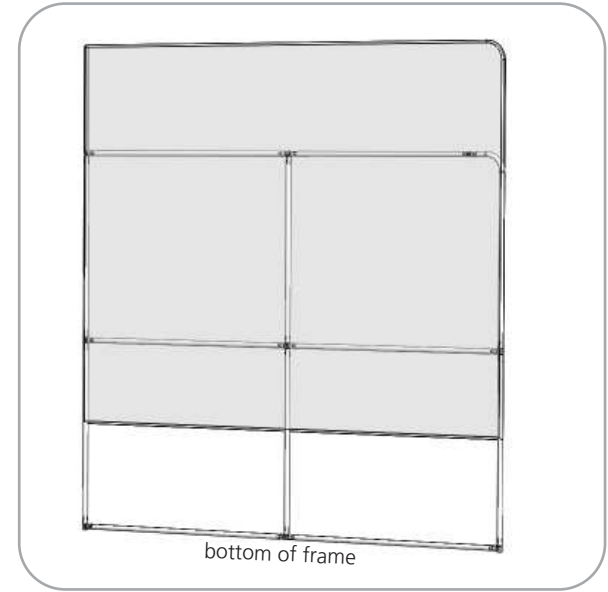
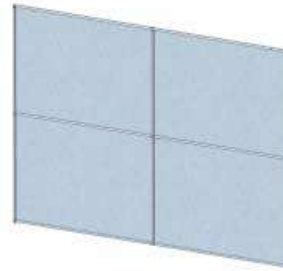
Gather the components necessary for assembling Frame C and lay them flat on the floor. Assemble in the order the Labeling Diagram instructs.

Please reference Connection Method 2 for more details.



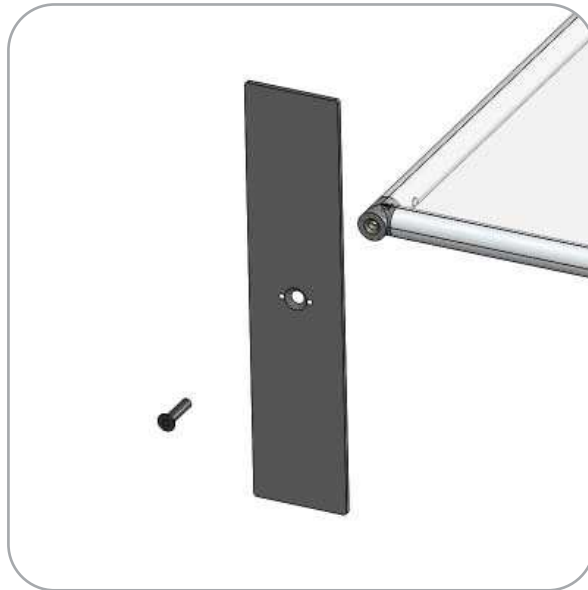
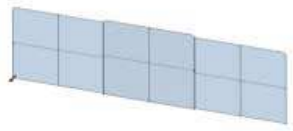
### Step 6.

With Frame C laying flat on the floor, locate your pillowcase C graphic. With the pillowcase unzipped, encase Frame C by covering the frame from top to bottom.



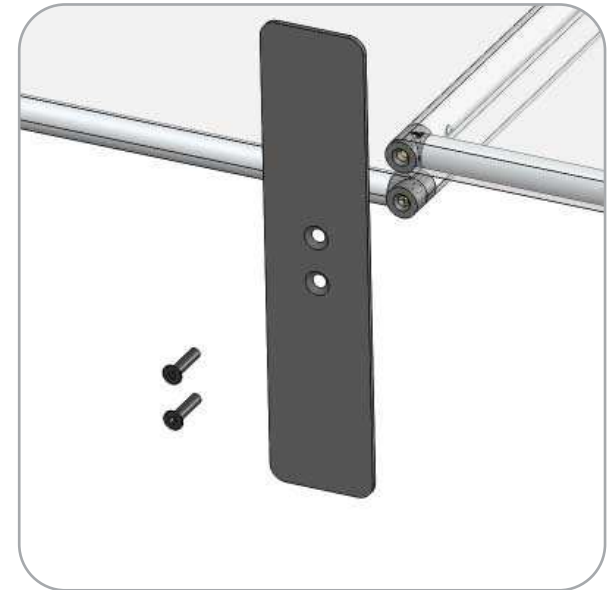
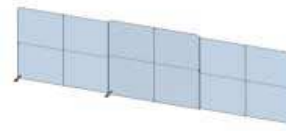
### Step 7.

Locate the LN114-S2-450 stabilizing foot. Attach the foot to the left side of Frame A. Use the allen key tool provided to lock the foot to the TC-30-90B on the frame.



### Step 8.

Locate the LN114-S3 stabilizing foot. Attach the foot to the right side of Frame A and the left side of Frame B. Use the allen key tool provided to lock the foot to the TC-30-90B on the frame.

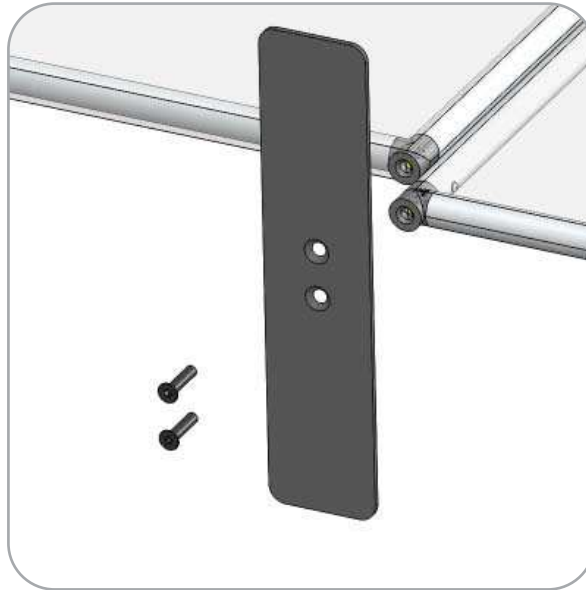
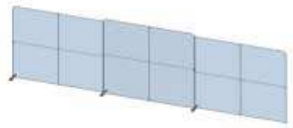


# Kit Assembly

## Step by Step

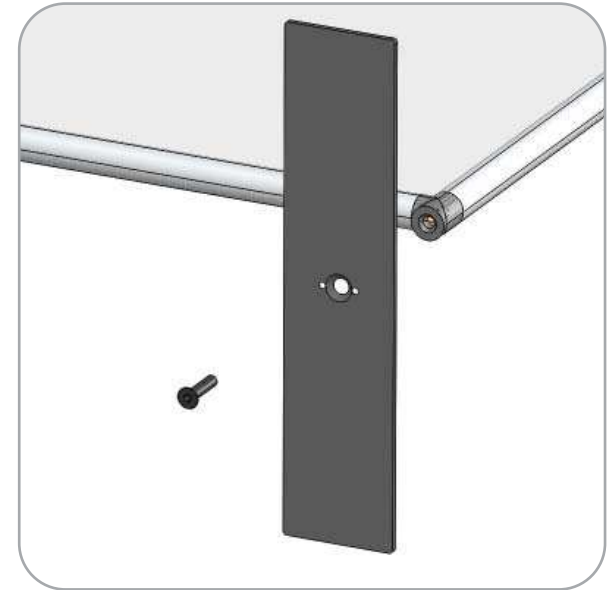
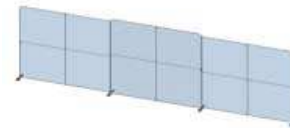
### Step 9.

Locate the PLT-BP-LN114-S3-450 stabilizing foot. Attach the foot to the right side of Frame B and the left side of Frame C. Use the allen key tool provided to lock the foot to the TC-30-90B on the frame.



### Step 10.

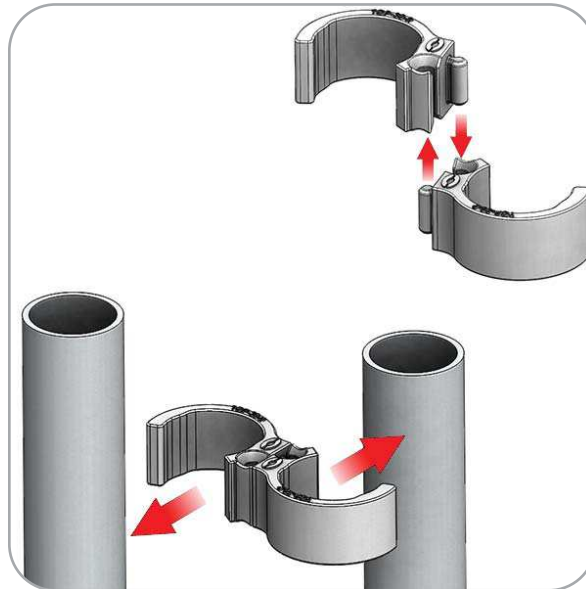
Locate the PLT-BP-LN114-S2-450 stabilizing foot. Attach the foot to the right side of Frame C. Use the allen key tool provided to lock the foot to the TC-30-90B on the frame.



### Step 11.

Use the two TCH-30-B2B tube clamp connector to brace the frames together.

Please reference Connection Methods 4 for more details



### Step 12.

Setup is complete.

