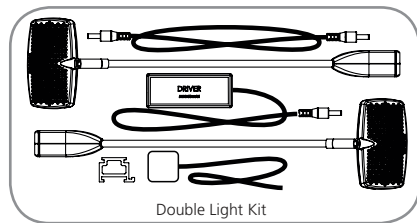
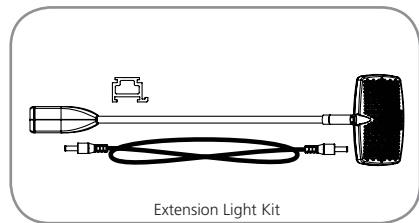
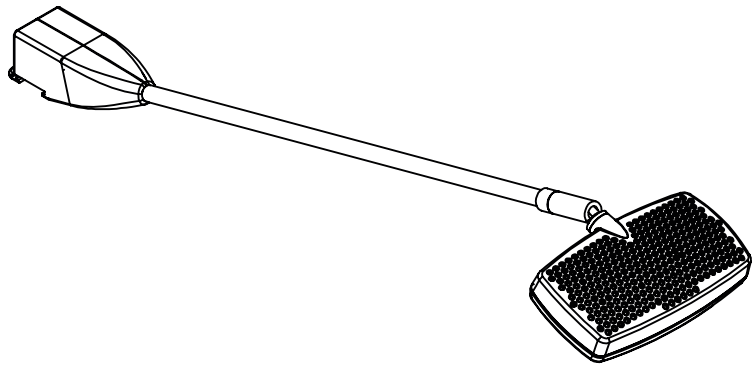


LED Arm Light- Flood

LUM-LED4-ORL-B
LUM-LED4-ORL-EXT

Incorporate modern, bright LED light into your display and draw attention to your brand and message with elegance. With a contemporary profile, you can modernize your display, set the stage, and better communicate a clear message.



features and benefits:

- Mounts on dovetails and extrusion channel
- Black coated exterior
- Projects cool white light
- Low voltage 12 watt
- Straight arm with adjustable head
- UL approved
- One year warranty against manufacturer defects

dimensions:

Hardware

Assembled Dimensions:
4.13" w x 17.16" d
105mm(w) x 436mm(d)

Shipping

Shipping Dimensions:
Double Light Kit:
20" l x 12" w x 3" h
508mm(l) x 305mm(w) x 76mm(h)

Extension Light Kit:
20" l x 6" w x 2" h
508mm(l) x 152mm(w) x 51mm(h)

Approximate Shipping Weight:
Double Light Kit:
4 lbs / 1.81 kg

Extension Light Kit:
2 lbs / .91 kg

additional information:

Lighting

- 18 Volts
- 1200 Lumens
- 500K Kelvins

Safety Warnings

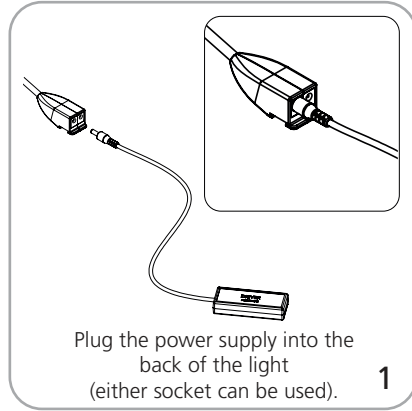
- Light is not protected against moisture. Do not expose to direct or indirect moisture.
- Overloading power supply can cause overheating, shorting and possibly fire.



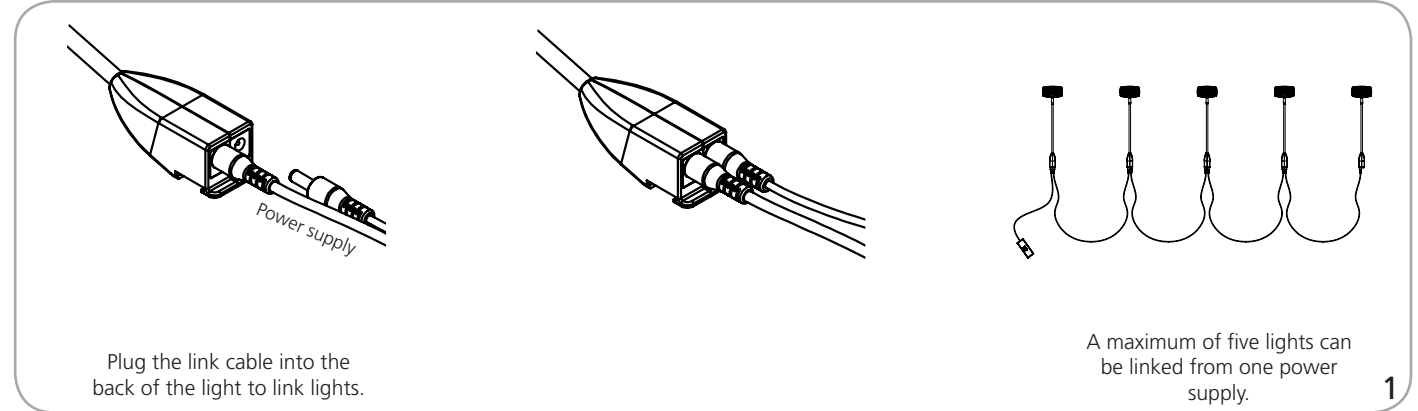
WARNING
DO NOT LOOK
DIRECTLY AT LIGHT

We are continually improving and modifying our product range and reserve the right to vary the specifications without prior notice. All dimensions and weights quoted are approximate and we accept no responsibility for variance. E&OE. See Graphic Templates for graphic bleed specifications.

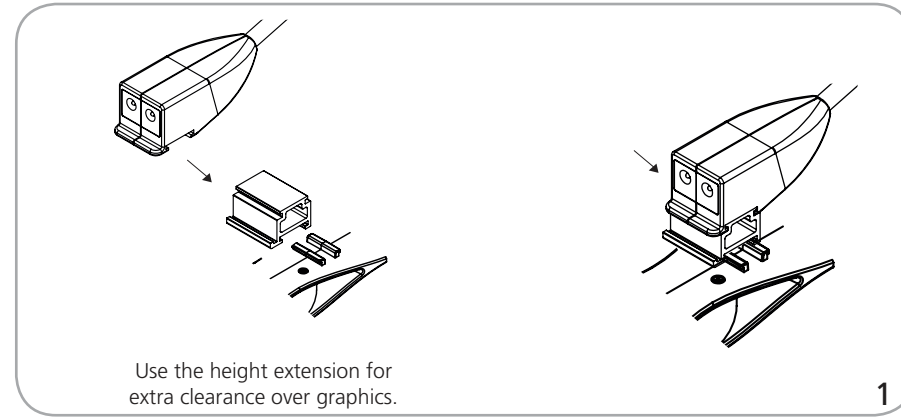
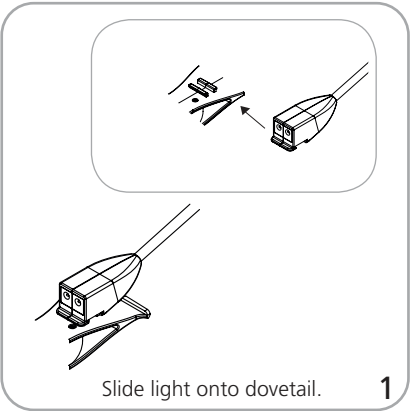
Connect the Power Supply



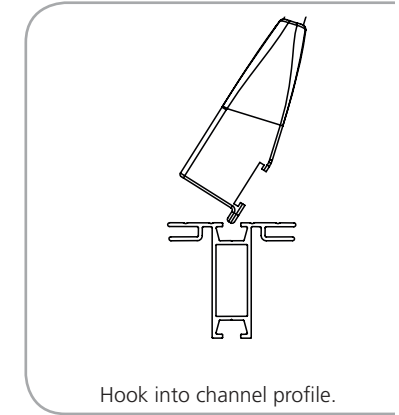
Link Lights



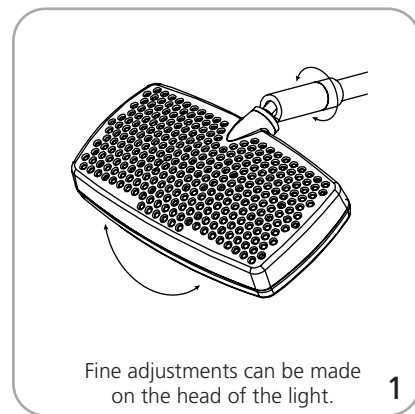
Attach Light to Dovetail



Attach Light to Extrusion



Position Light



Connect Power

