

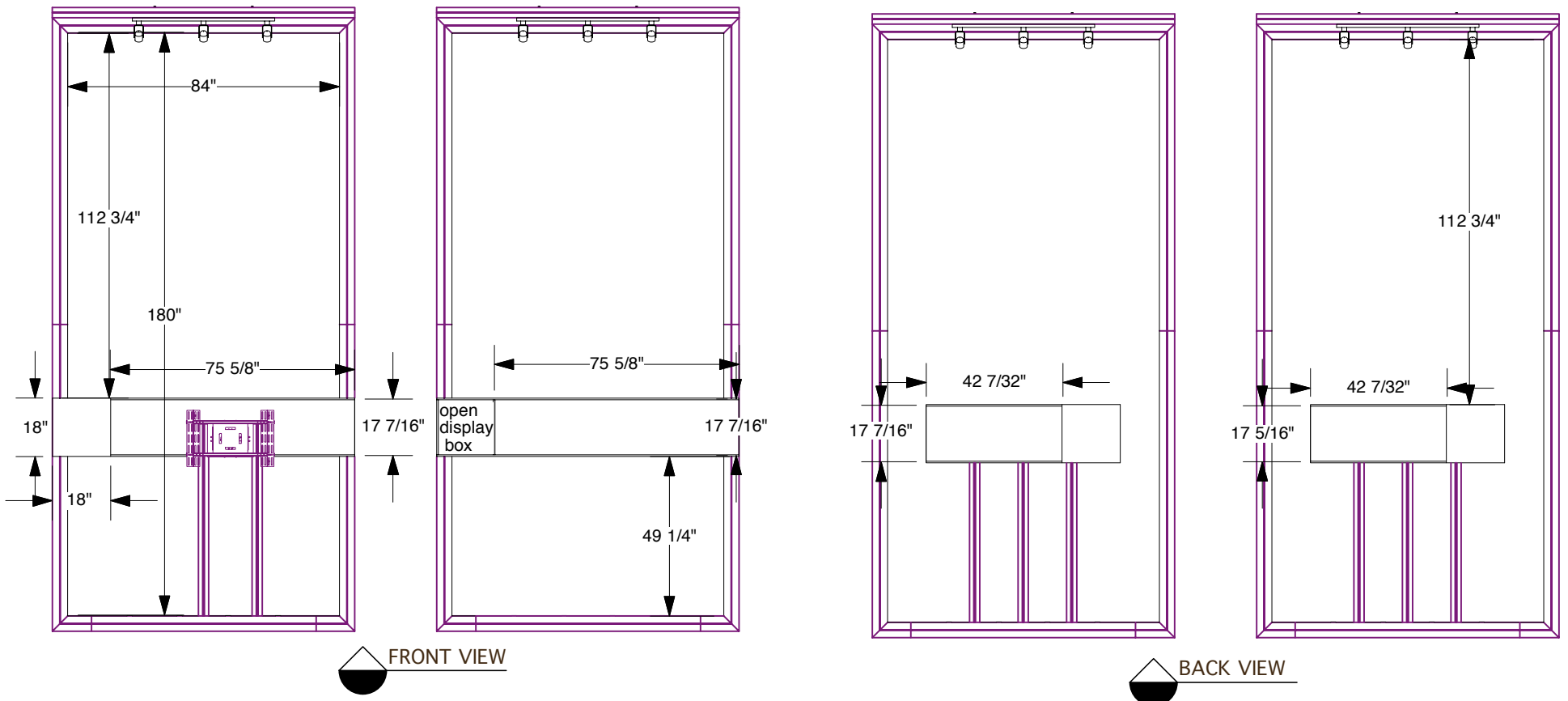
# Solar A 20X20

TOWER 1 (FRONT)

TOWER 2 (FRONT)

TOWER 1 (BACK)

TOWER 2 (BACK)

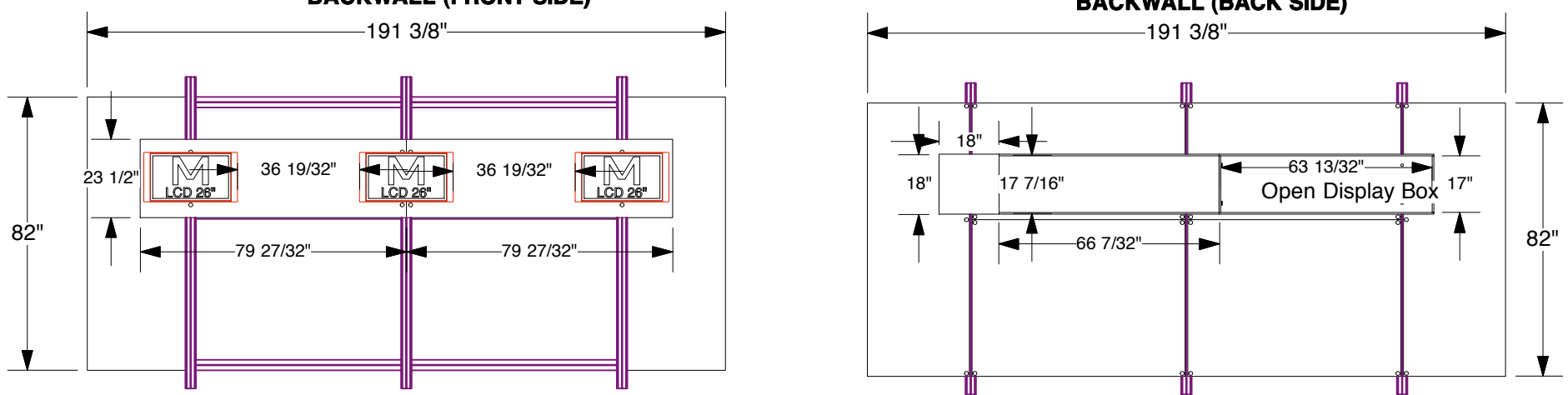


FRONT VIEW

BACK VIEW

BACKWALL (FRONT SIDE)

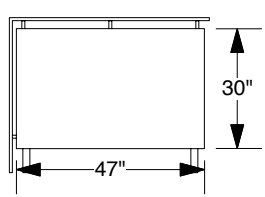
BACKWALL (BACK SIDE)



FRONT VIEW

BACK VIEW

RECEPTION COUNTER



FRONT VIEW

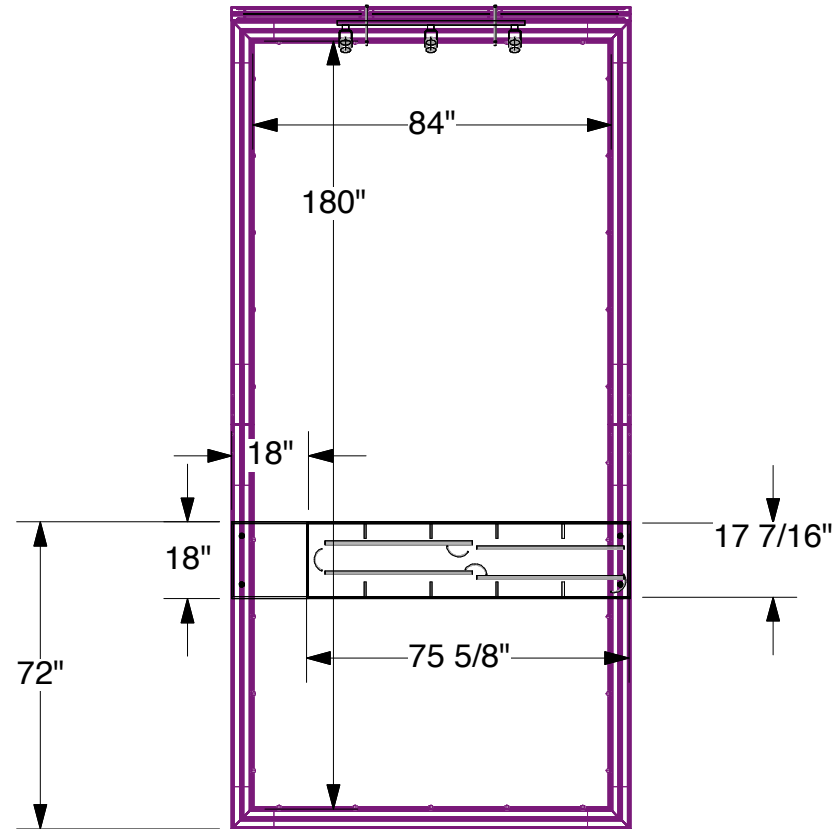
**Graphics (as depicted on the renderings):**

- Qty 4 - Fabric Graphic (for towers), 84" W X 180" H
- Qty 2 - Backlit Graphic (for tower lightbox-mounted), 75 5/8" W X 17 7/16" H
- Qty 3 - Graphic on Sintra (for tower lightbox-mounted), 18" W X 18" H
- Qty 2 - Backlit Graphic (for tower lightbox with poles), 42 7/32" W X 17 7/16" H
- Qty 2 - Graphic on Sintra (on backwall, behind monitors), 79 27/32" W X 23 1/2" H
- Qty 1 - Backlit Graphic (on backwall-back side), 66 7/32" W X 17 7/16" H
- Qty 1 - Graphic on Sintra (on backwall-back side), 18" W X 18" H
- Qty 1 - Reception Counter, 47" W X 30" H

**Notes:**

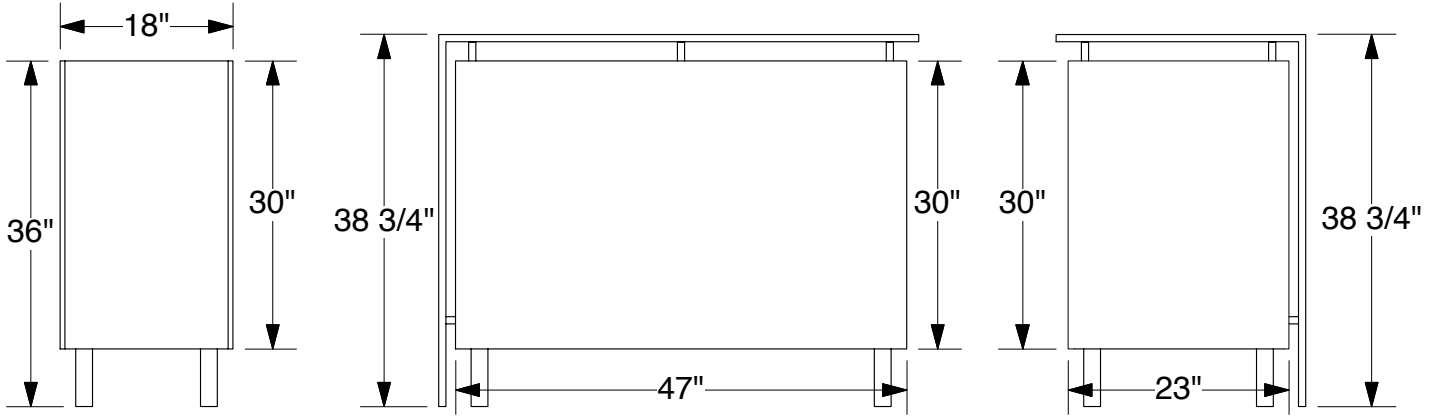
- \* Please add 1" bleed on each side of tower fabric graphic (for sewing purposes).  
Overall fabric dims with bleed: 86" W X 182" H
- \* Please add 1/4" bleed on each side of backlit graphic, graphic on sintra and counter (for cutting purposes).

# Solar A Tower with Lightbox



**SOLAR A**  
Counters

**FRONT VIEW**

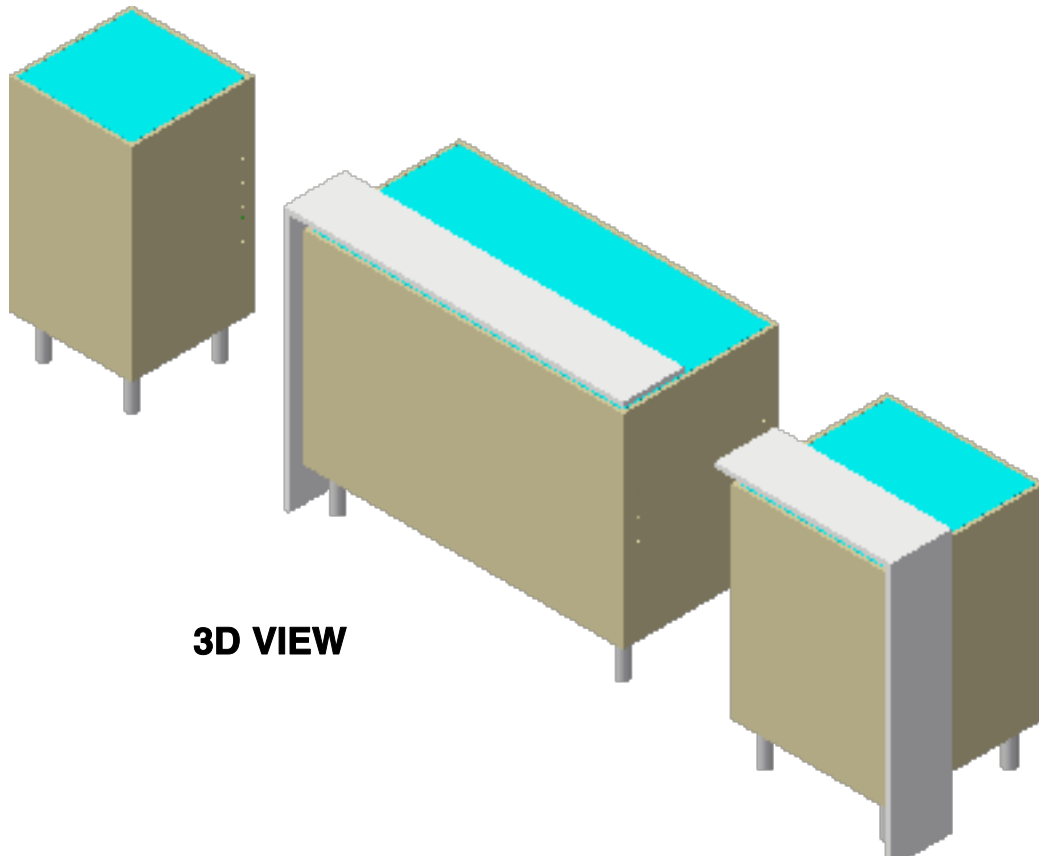
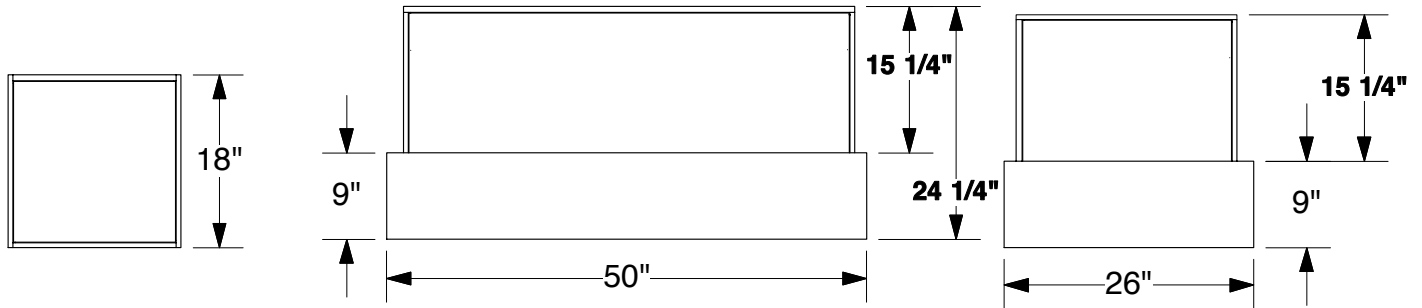


Pedestal counter  
49 lbs

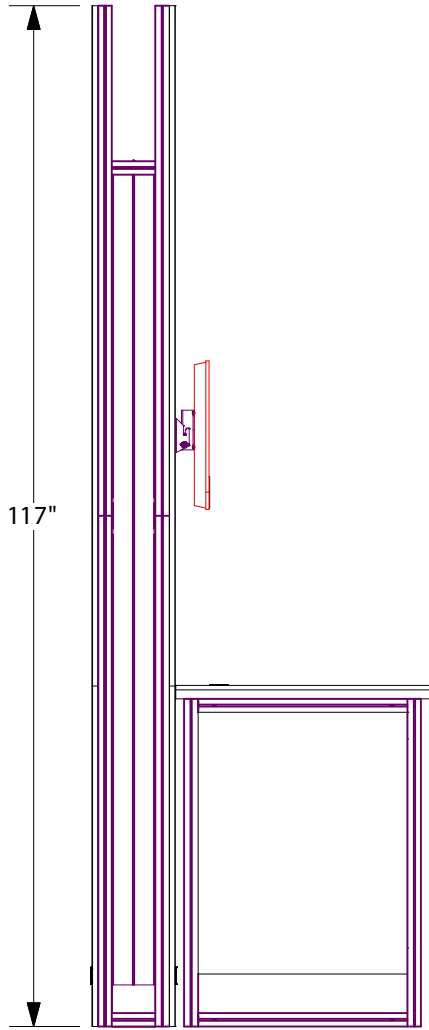
Reception counter  
78 lbs

Backwall counter  
63 lbs

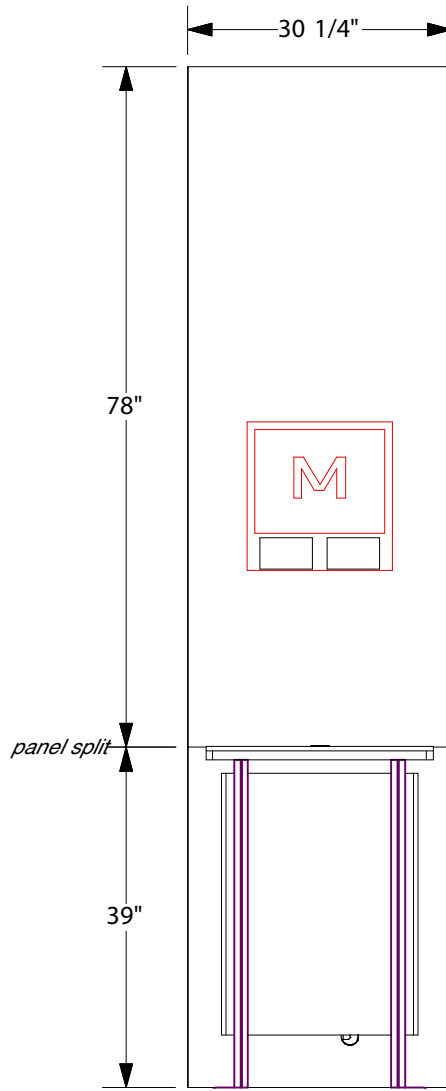
**TOP VIEW**



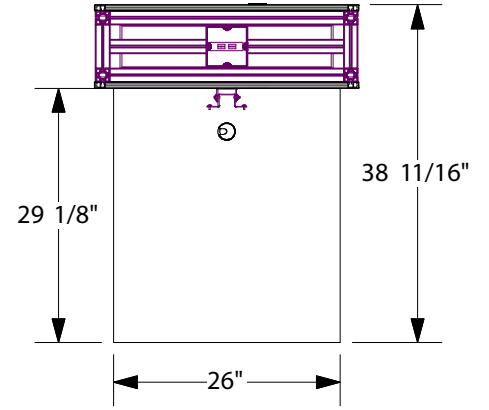
**3D VIEW**



**SIDE VIEW**



**FRONT VIEW**



**TOP VIEW**

**3D VIEW**

