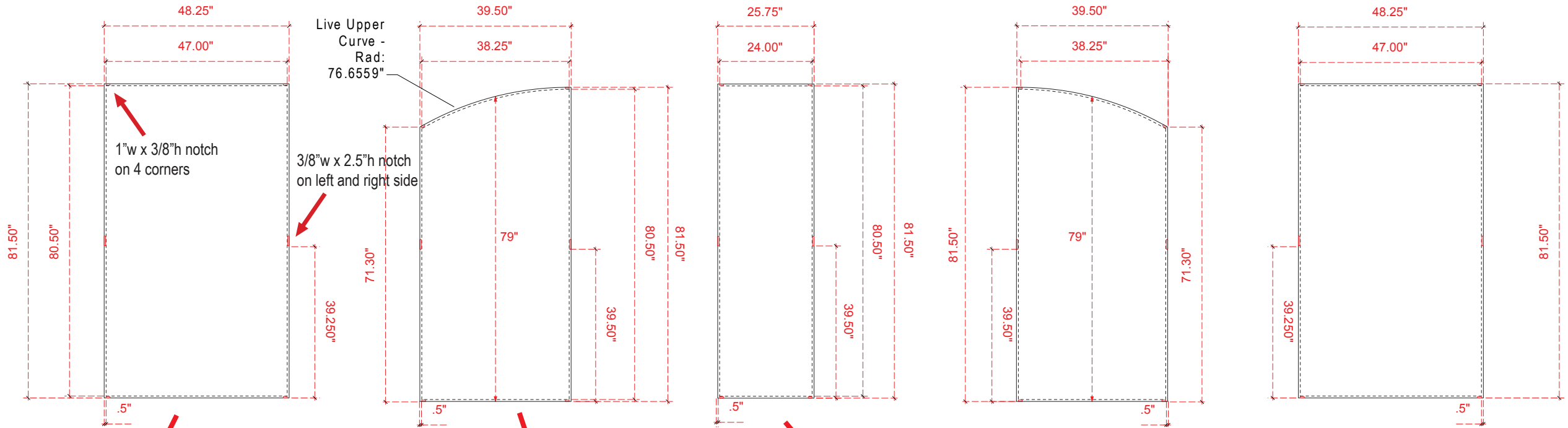


NOTE: Graphic files must be @ 150 dpi Finished Size.
DO NOT send Flattened Files. Production can not manipulate
the content, proportion or color of these files.



Finished Size: 48.25" w x 81.50" h
Live Area: 47.00" w x 80.50" h
Add 1/2" bleed around perimeter

Sew 1/2" hook strap into front perimeter

Finished Size: 39.50" w x 81.50" h
Live Area: 38.25" w x 80.50" h
Add 1/2" bleed around perimeter

Sew 1/2" hook strap into front perimeter

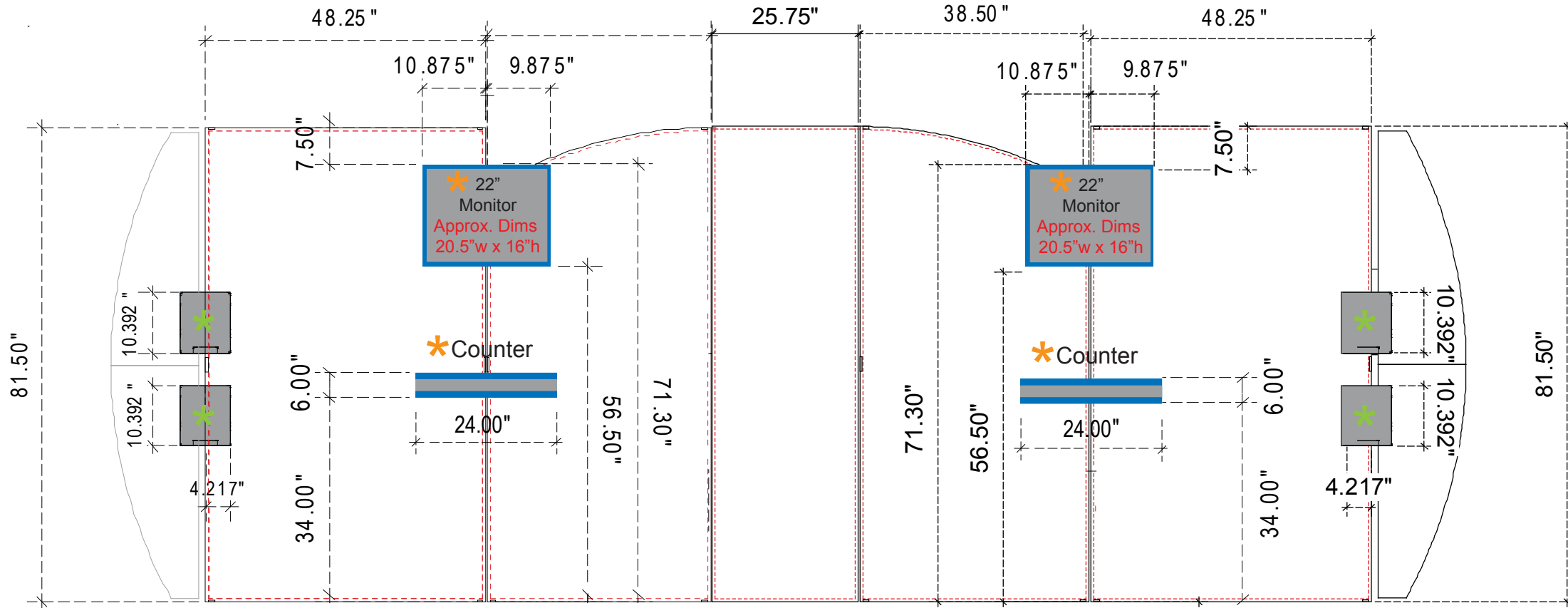
Finished Size: 25.75" w x 81.50" h
Live Area: 24" w x 80.50" h
Add 1/2" bleed around perimeter

Sew 1/2" hook strap into front perimeter

NOTE: These dimensions are for graphic layout purposes.
Graphic needs to be cut and test fitted to Sacagawea frame.

Product Name: VK-2117
Process: Kaleidoscope Select
Material: Poly Knit 9
Effective Date: 11/1/2013

NOTE: Graphic files must be @ 150 dpi Finished Size.
DO NOT send Flattened Files. Production can not manipulate the content, proportion or color of these files.



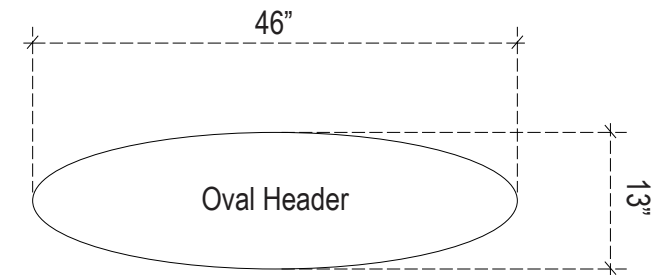
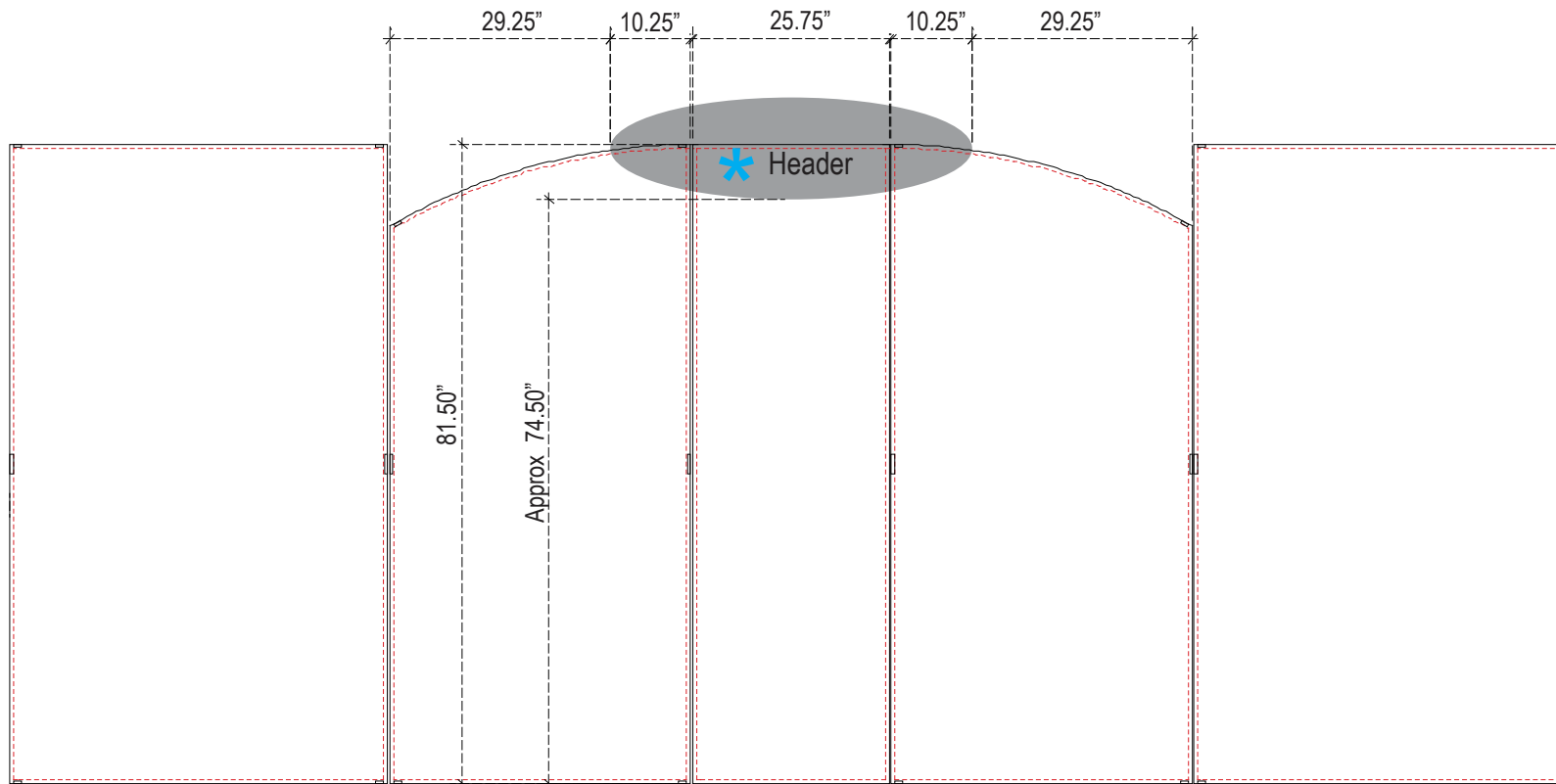
NOTE: The height of Literature Racks can be adjustable.*

NOTE: When adding Monitors and Counters to the Sacagawea unit, portions of the graphic will be covered. Please design graphic layout according to suggested locations.*

NOTE: These dimensions are for graphic layout purposes. Graphic needs to be cut and test fitted to Sacagawea frame.

Product Name: VK-2117
Process: Direct Print
Material: 1/4" Sintra
Effective Date: 11/1/2013

NOTE: Graphic files must be @ 150 dpi Finished Size.
DO NOT send Flattened Files. Production can not manipulate
the content, proportion or color of these files.

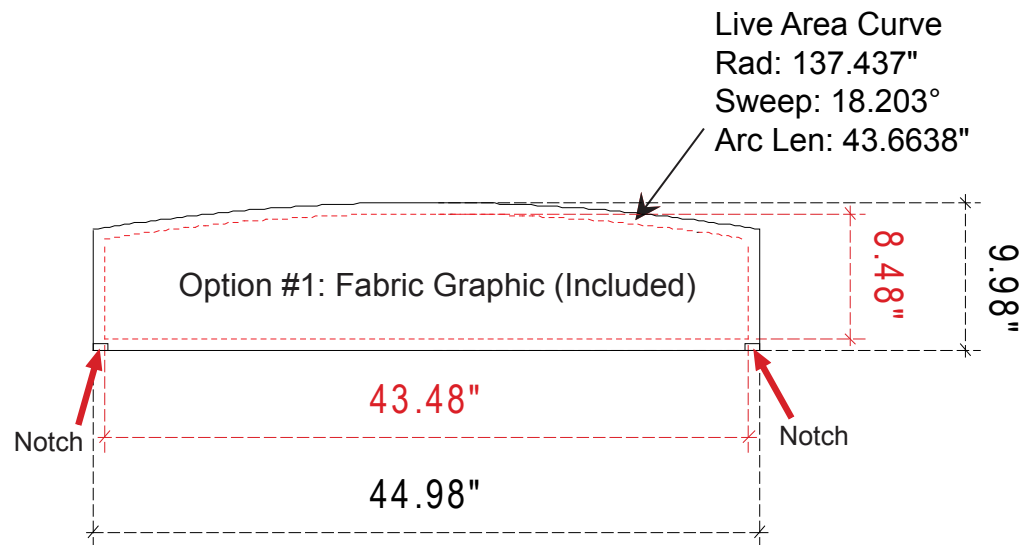


Note: When using the Headers with the Sacagawea unit a portion of the graphic will be covered.
Please design graphic layout according to desired Header shape and location.*

Product Name: VK-2117
Process: Direct Print
Material: 1/4" Sintra
Effective Date: 11/1/2013

NOTE: Graphic files must be @ 150 dpi Finished Size.
DO NOT send Flattened Files. Production can not manipulate the content, proportion or color of these files.

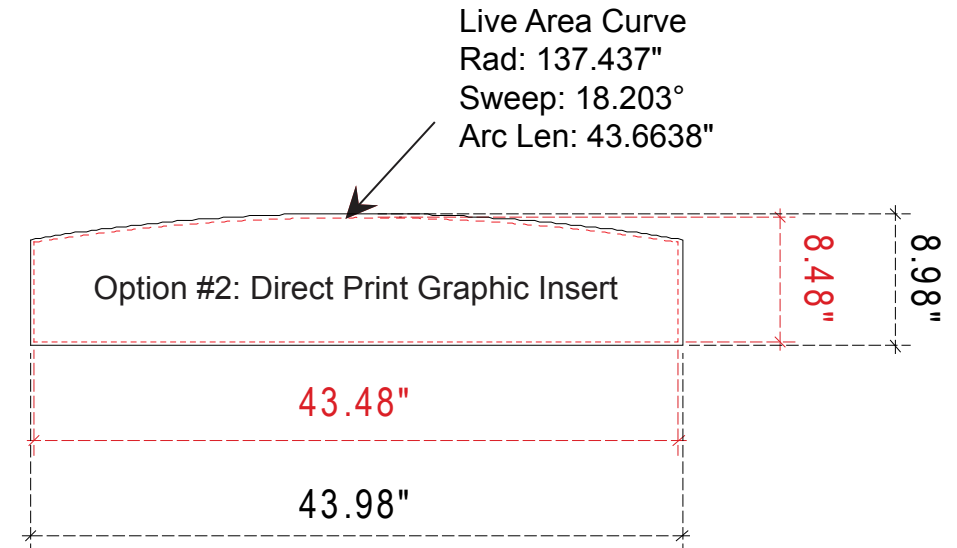
Header Fabric Graphic



Finished Size: 44.98"w x 9.98"h
Live Area: 43.48"w x 8.48"h

Add 3/4" bleed around perimeter
Sew 1/2" Hook & loop into front perimeter

1/4" Direct Print Header Graphic



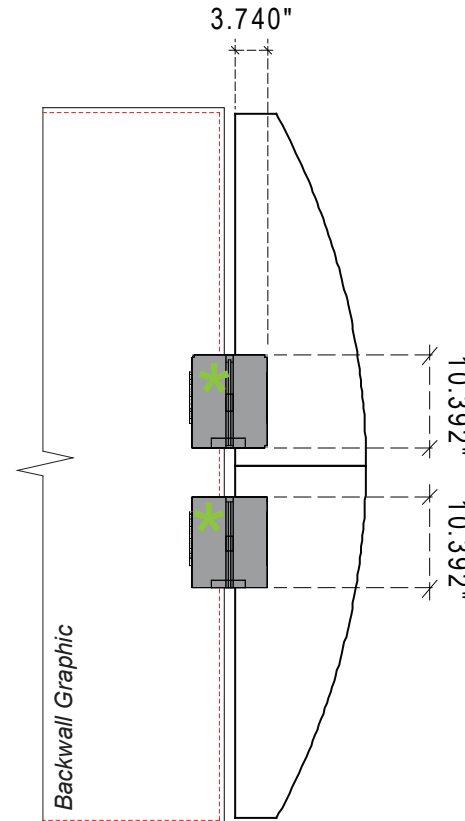
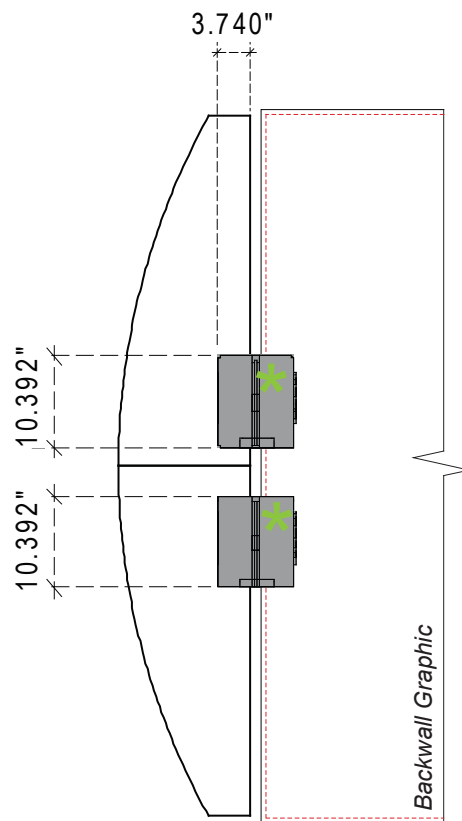
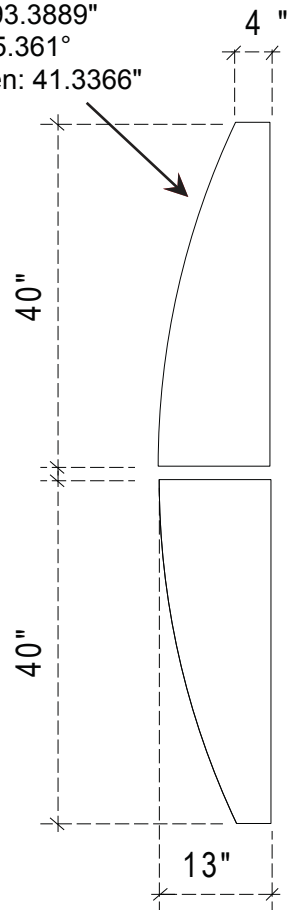
Finished Size: 43.98"w x 8.98"h
Live Area: 43.48"w x 8.48"h

Add 1/4" bleed around perimeter

NOTE: Graphic files must be @ 150 dpi Finished Size.
DO NOT send Flattened Files. Production can not manipulate the content, proportion or color of these files.

Convex Wing
20' Unit includes (2) Bottom Panels and (2) Upper Panels

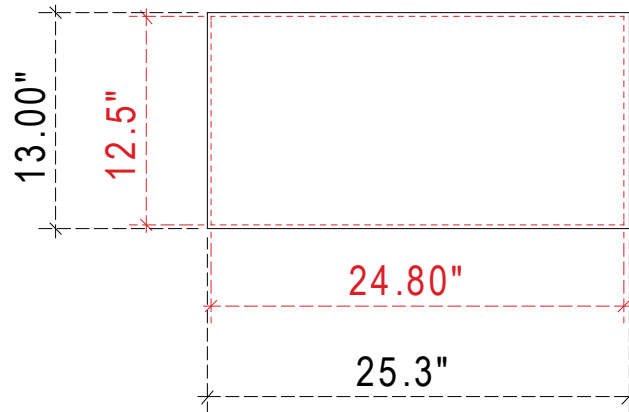
Rad: 93.3889"
Sw: 25.361°
Arc Len: 41.3366"



Note: The height of Literature Racks can be adjustable.*

NOTE: Graphic files must be @ 150 dpi Finished Size.
DO NOT send Flattened Files. Production can not manipulate
the content, proportion or color of these files.

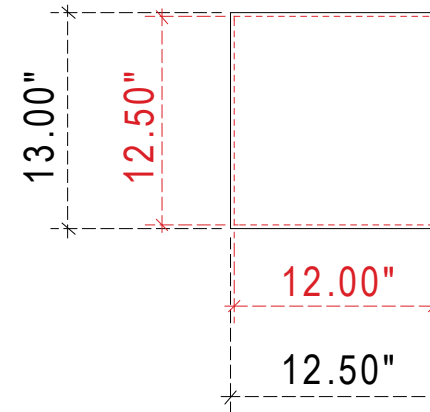
Pedestal Front Insert
Material: 1/8" Sintra



Finished Size: 25.3"w x 13"h
Graphic live area: 24.8"w x 12.5"h

Add 1/4" bleed around perimeter

Pedestal Side Insert
Material: 1/4" Sintra



Finished Size: 12.5"w x 13"h
Graphic live area: 12"w x 12.5"h

Add 1/4" bleed around perimeter