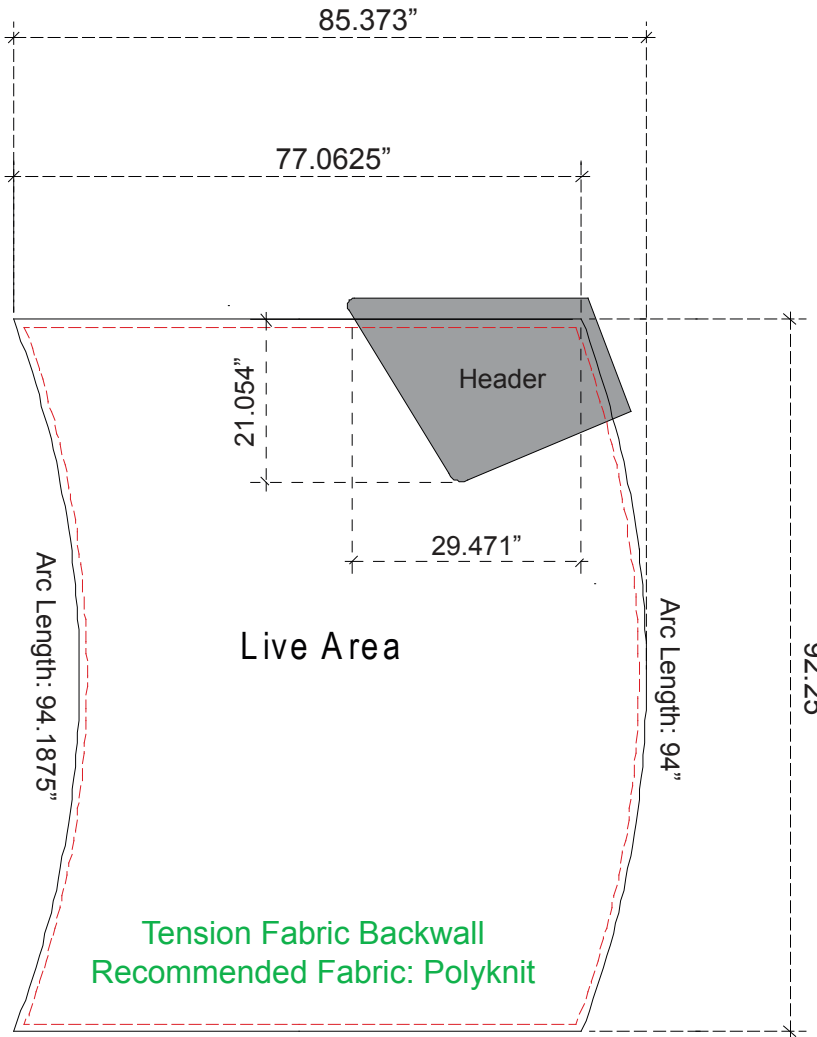


Print/Cut Size: 33.8221" w x 88.25" h

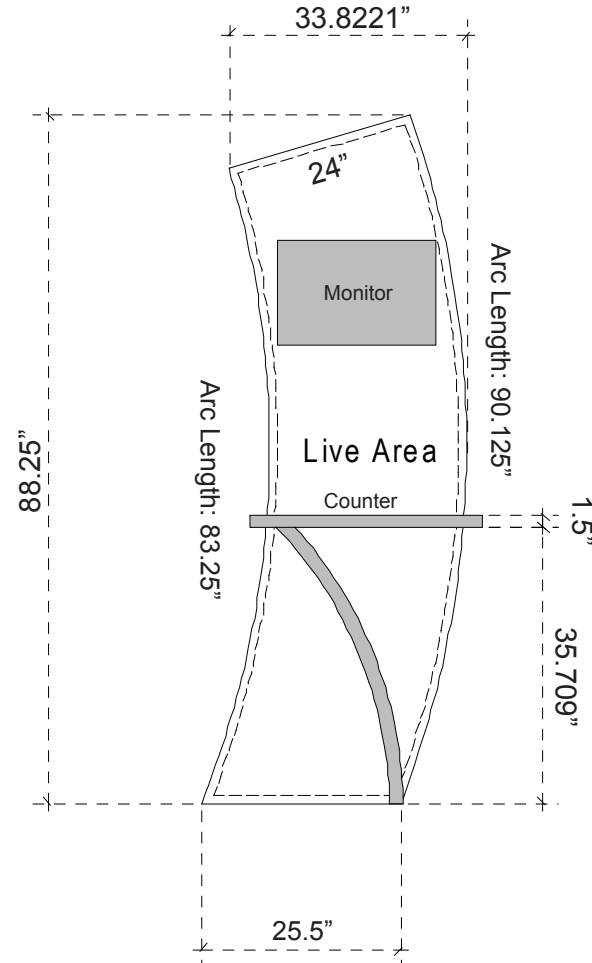
Add 1" bleed around perimeter of graphic
Sew 1/2" Hook Velcro into front perimeter

Tension Fabric Backwall
Recommended Fabric: Polyknit



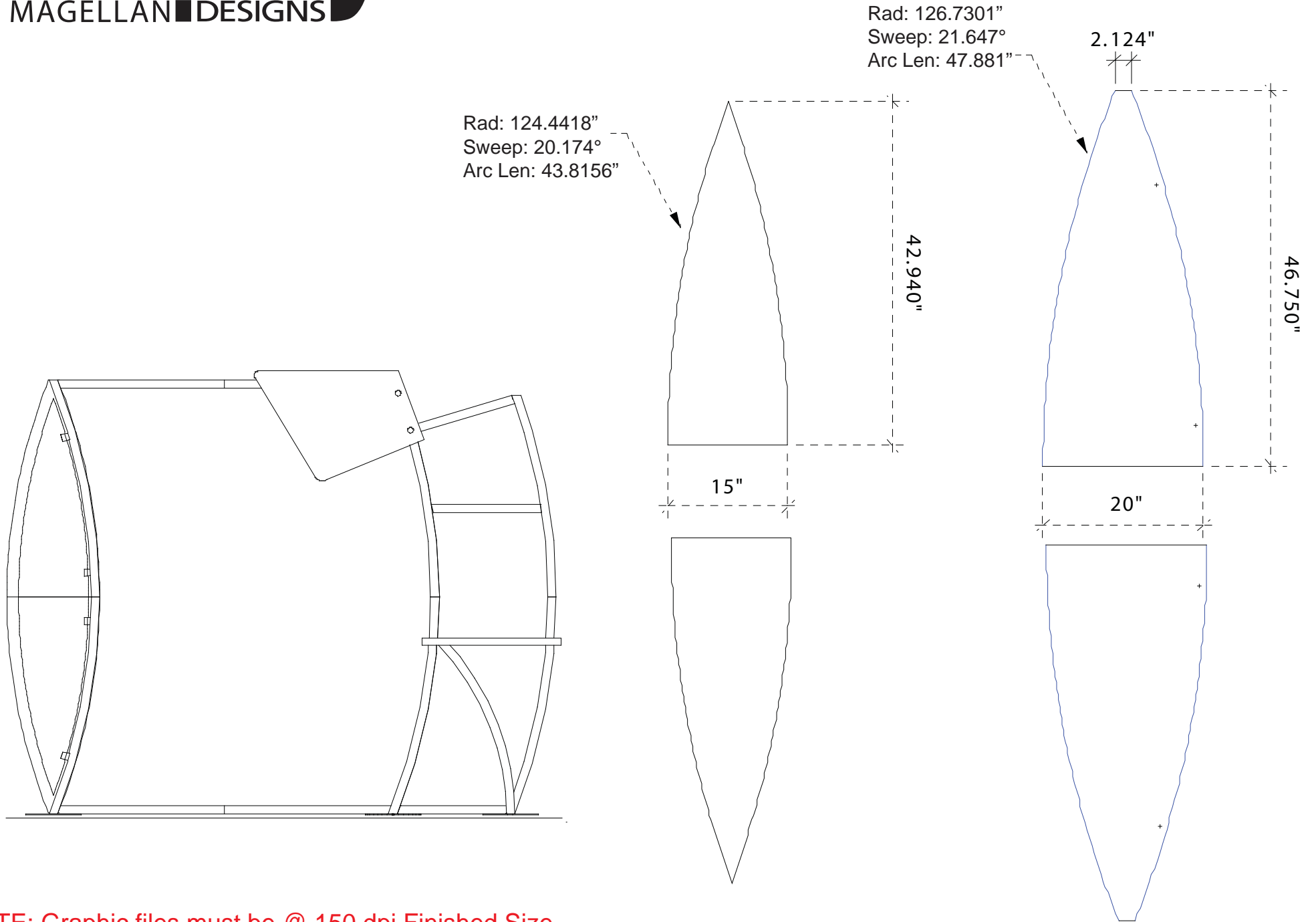
Print/Cut Size: 85.373" w x 92.25" h

Add 1" bleed around perimeter of graphic
Sew 1/2" Hook Velcro into front perimeter



NOTE: These dimensions are for graphic layout purposes. Graphic needs to be cut and test fitted to Magellen frame for exact sizes and cuts.

NOTE: Graphic files must be @ 150 dpi Finished Size. DO NOT send Flattened Files. Production can not manipulate the content, proportion or color of these files.

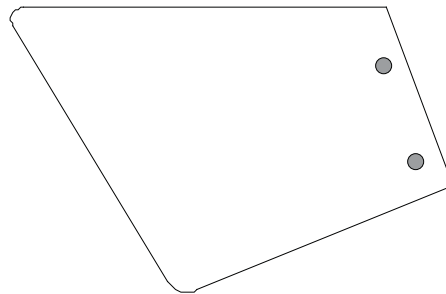
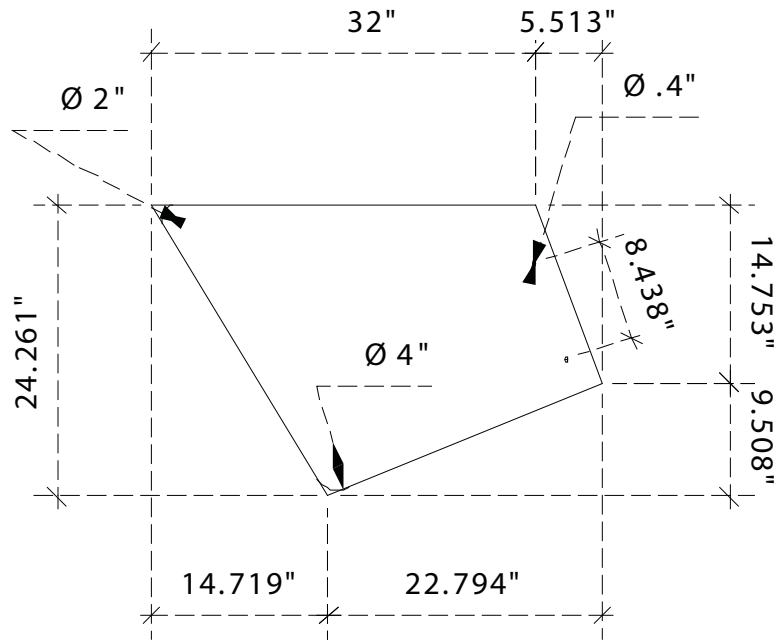


**NOTE: Graphic files must be @ 150 dpi Finished Size.
DO NOT send Flattened Files. Production can not manipulate
the content, proportion or color of these files.**

Front Wings

Back Wings

VK-1083-84: Graphic Dimensions
Header Graphic



**NOTE: Graphic files must be @ 150 dpi Finished Size.
DO NOT send Flattened Files. Production can not manipulate
the content, proportion or color of these files.**