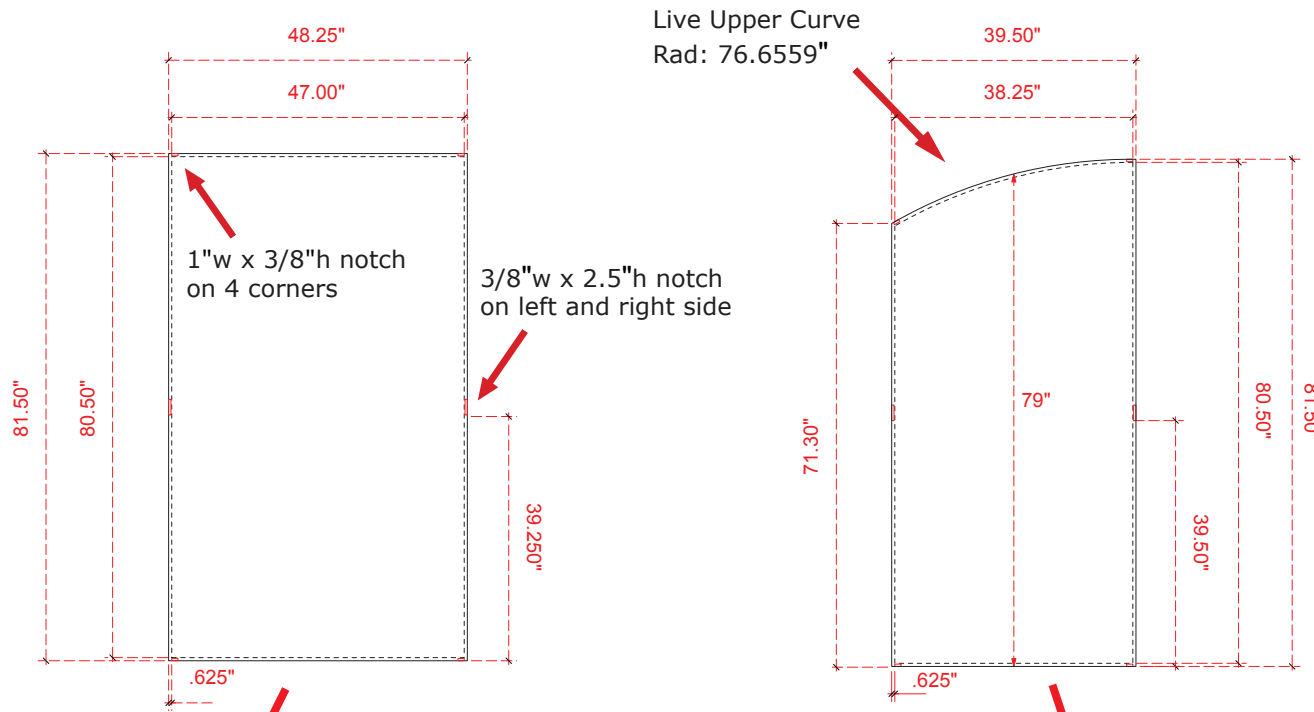


NOTE: Graphic files must be @ 150 dpi Finished Size.
DO NOT send Flattened Files. Production can not manipulate the content, proportion or color of these files.



Finished Size: 48\"w x 81.50\"h
Live Area: 47\"w x 80.50\"h
Add 1/2\" bleed around perimeter

Sew 1/2\" hook Velcro into **front perimeter**

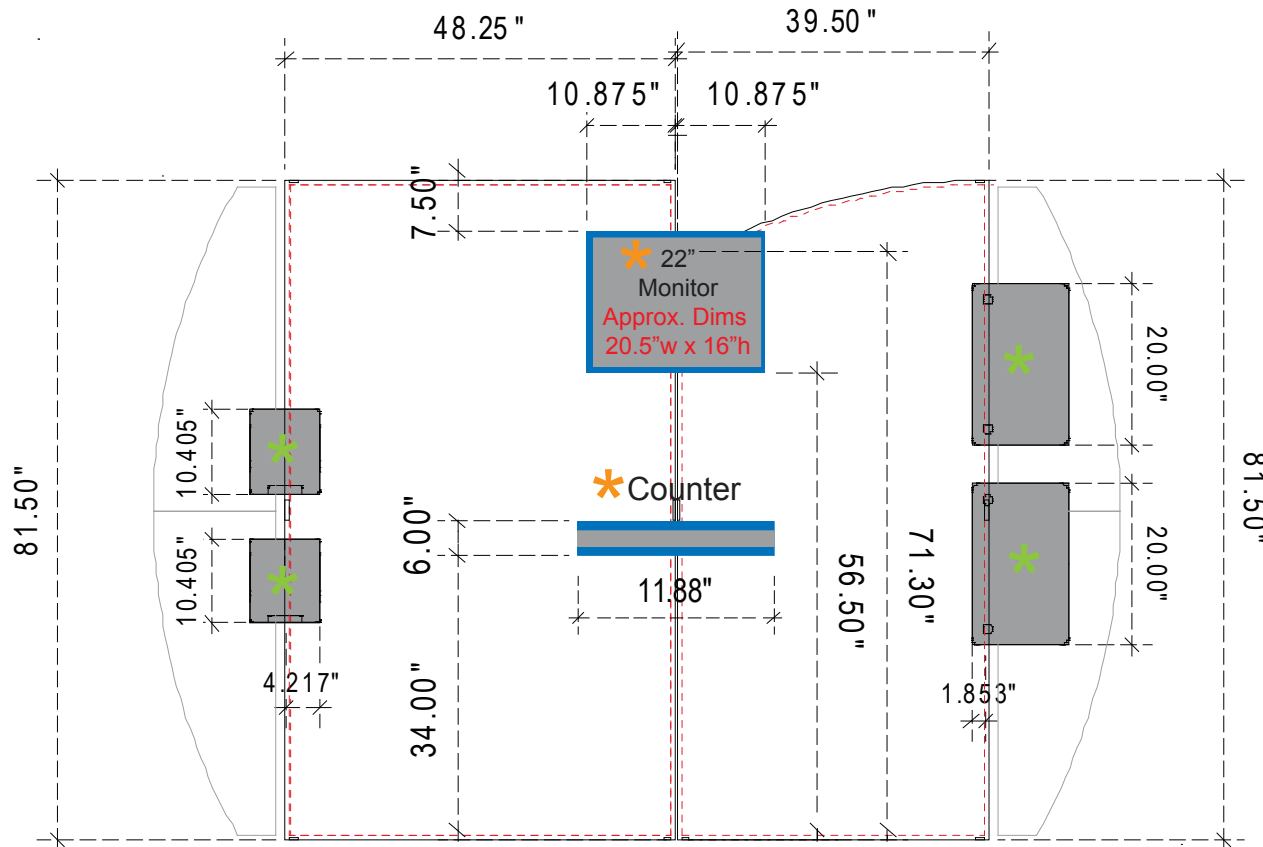
Finished Size: 39.50\"w x 81.50\"h
Live Area: 38.25\"w x 80.50\"h
Add 5/8\" bleed left and right
Add 1/2\" bleed top and bottom

Sew 1/2\" hook Velcro into **front perimeter**

NOTE: These dimensions are for graphic layout purposes.
Graphic needs to be cut and test fitted to Sacagawea frame.

Product Name: VK-1237
Process: Kaleidoscope Select
Material: Poly Knit 9
Effective Date: 09/20/13

NOTE: Graphic files must be @ 150 dpi Finished Size.
DO NOT send Flattened Files. Production can not manipulate the content, proportion or color of these files.



Blue Area indicates 3/4" bleed area around the counter and the monitor

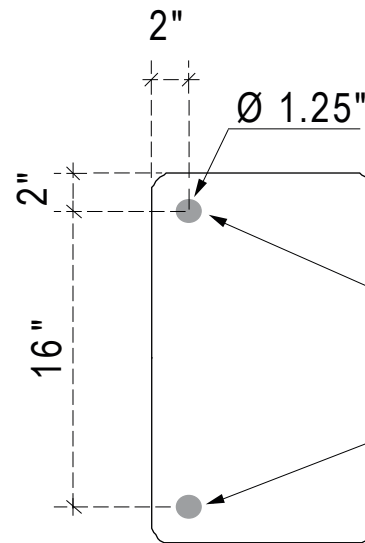
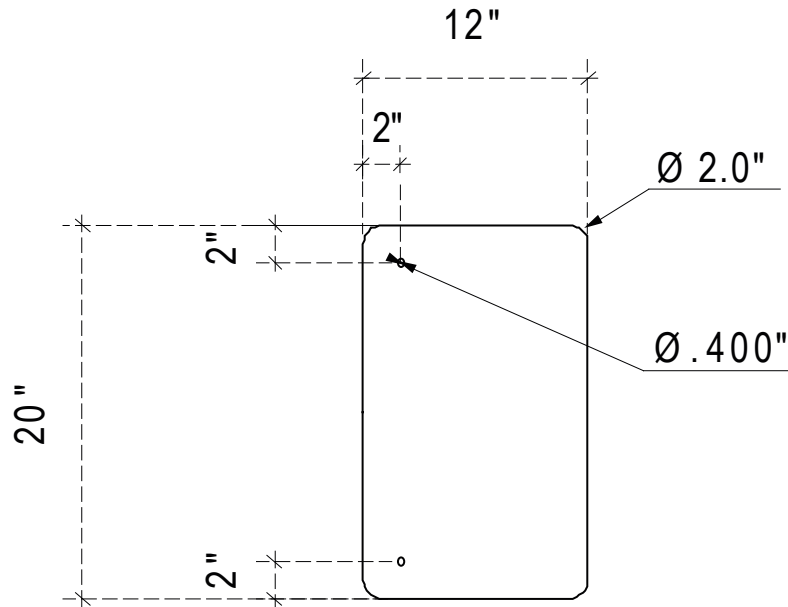
NOTE: The height of Literature Racks and Graphic Panels can be adjustable. *

NOTE: When adding Monitors and Counters to the Sacagawea unit, portions of the graphic will be covered. Please design graphic layout according to suggested locations.
-See Header Graphic Dims for header locations. *

NOTE: These dimensions are for graphic layout purposes. Graphic needs to be cut and test fitted to Sacagawea frame.

Product Name: VK-1237
Process: Direct Print
Material: 1/4" Sintra or Plex
Effective Date: 09/20/13

NOTE: Graphic files must be @ 150 dpi Finished Size.
DO NOT send Flattened Files. Production can not manipulate the content, proportion or color of these files.



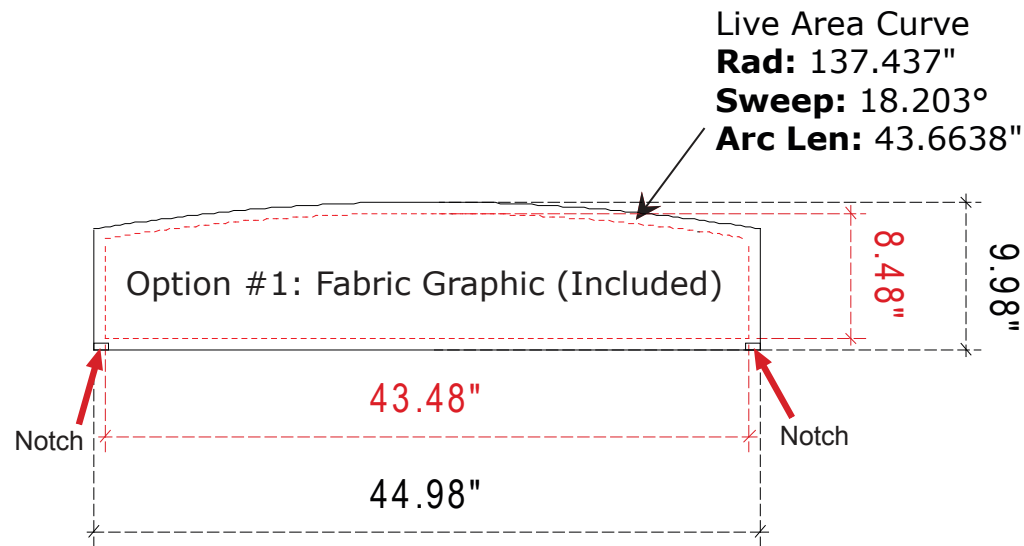
Note: Portions of graphic panel will be covered with Ø 1.25" screwcaps.

Please design graphic layout according to screwcap locations.

NOTE: These dimensions are for graphic layout purposes.
Graphic needs to be cut and test fitted to Sacagawea frame.

NOTE: Graphic files must be @ 150 dpi Finished Size.
DO NOT send Flattened Files. Production can not manipulate
the content, proportion or color of these files.

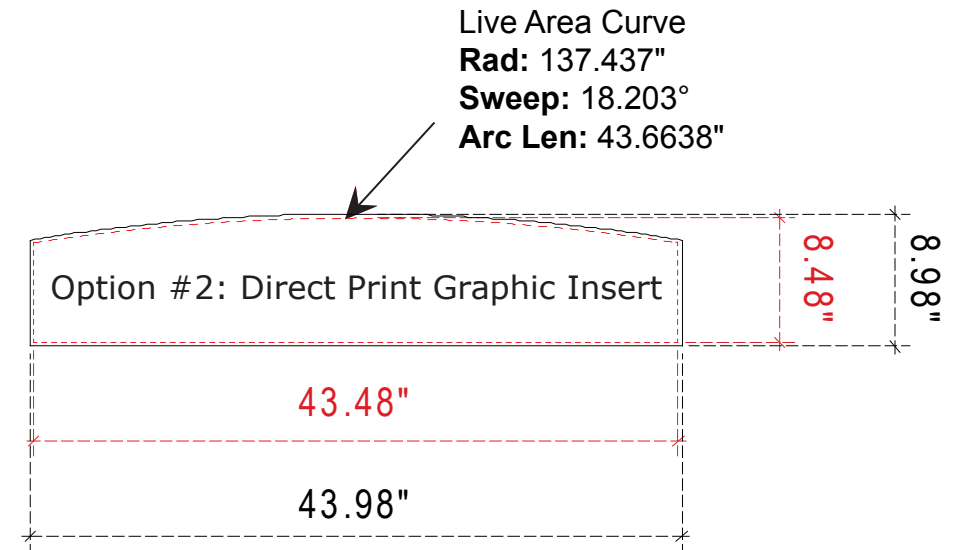
Header Fabric Graphic



Finished Size: 44.98"w x 9.98"h
Live Area: 43.48"w x 8.48"h

Add 3/4" bleed around perimeter
 Sew 1/2" Velcro into front perimeter

1/4" Direct Print Header Graphic



Finished Size: 43.98"w x 8.98"h
Live Area: 43.48"w x 8.48"h

Add 1/4" bleed around perimeter

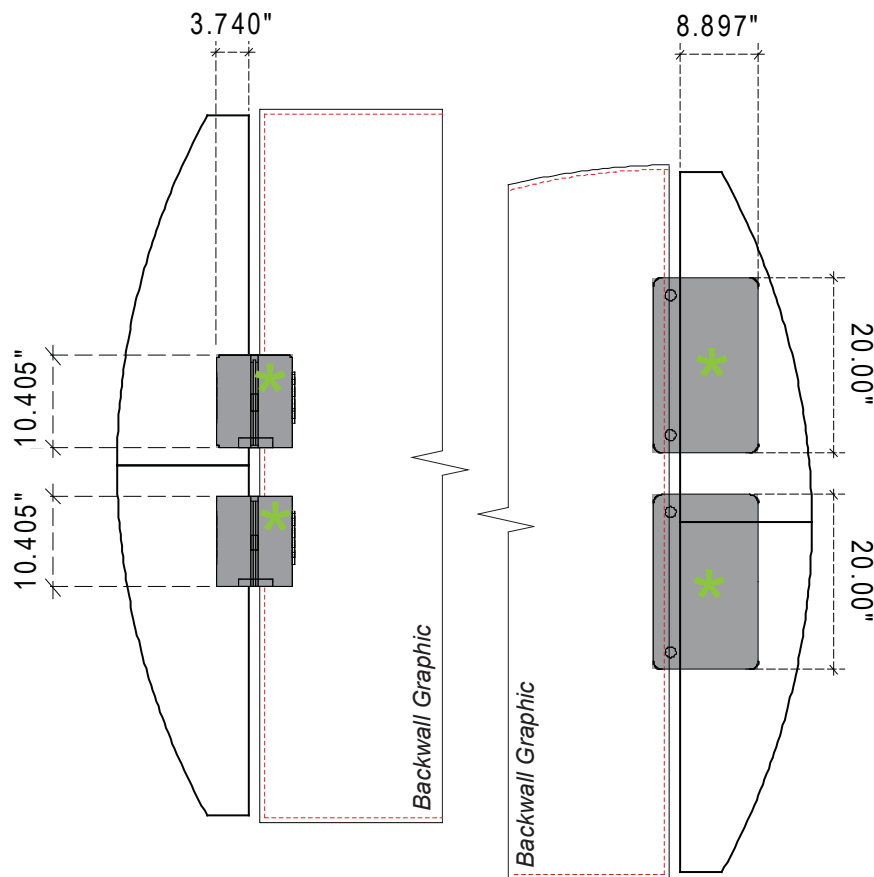
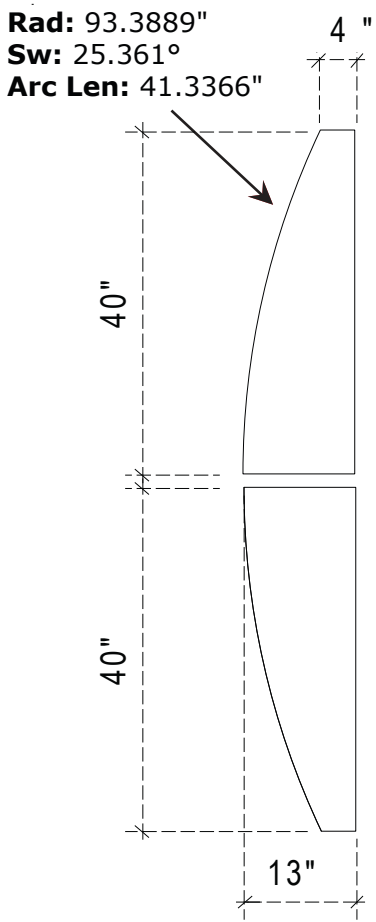
NOTE: These dimensions are for graphic layout purposes.
Graphic needs to be cut and test fitted to Sacagawea frame.

NOTE: Graphic files must be @ 150 dpi Finished Size.
DO NOT send Flattened Files. Production can not manipulate the content, proportion or color of these files.

A small portion of your graphic(s) may be hidden by literature holders/stand offs. Please use these diagrams to position your graphics correctly.

Convex Wing

20' Unit includes (2) Bottom Panels and (2) Upper Panels



* **Note:** The height of Literature Racks can be adjustable.

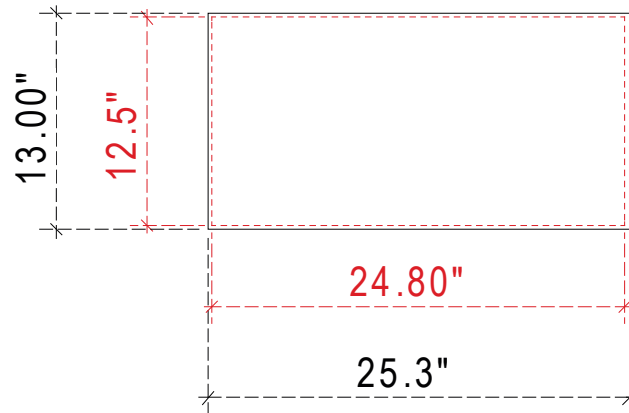


NOTE: These dimensions are for graphic layout purposes.
Graphic needs to be cut and test fitted to Sacagawea frame.

Product Name: VK-1237
Process: Direct Print
Material: 1/8" Sintra
Effective Date: 08/19/13

NOTE: Graphic files must be @ 150 dpi Finished Size.
DO NOT send Flattened Files. Production can not manipulate the content, proportion or color of these files.

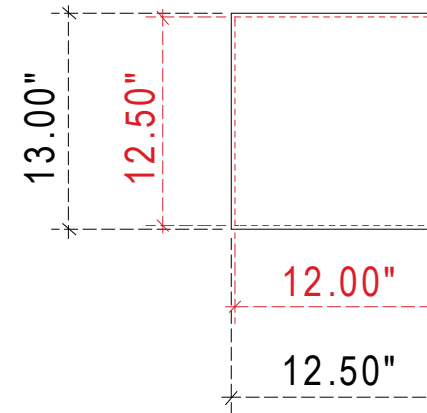
Pedestal Front Insert
Material: 1/8" Sintra



Finished Size: 25.3"w x 13"h
Graphic live area: 24.8"w x 12.5"h

Add 1/4" bleed around perimeter

Pedestal Side Insert
Material: 1/4" Sintra



Finished Size: 12.5"w x 13"h
Graphic live area: 12"w x 12.5"h

Add 1/4" bleed around perimeter