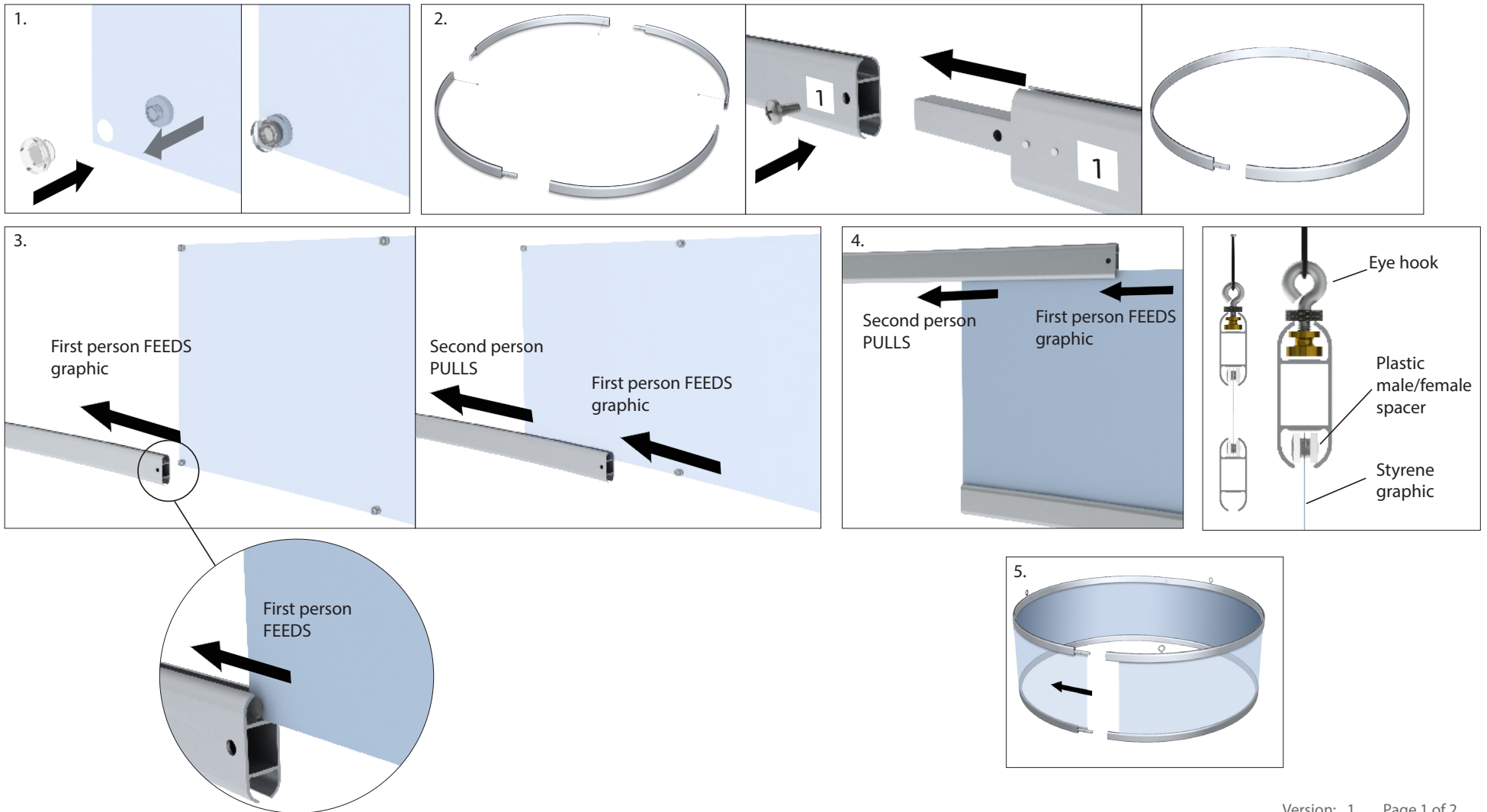
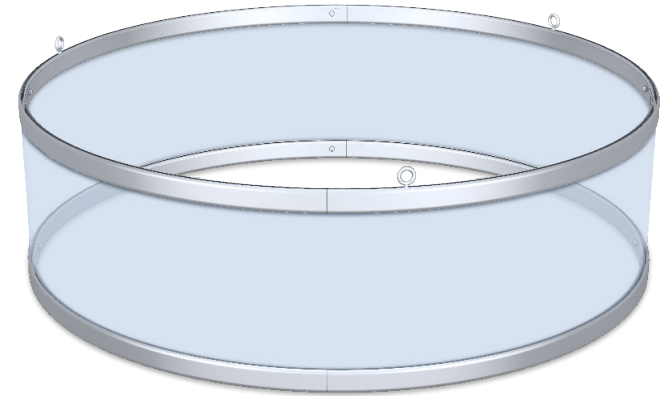


Halo Rail™ Kit - HRFK, HRSS Series

For Styrene Graphics - HRSS

1. Snap the male and female spacer through all the holes on the graphic.
2. Lay out the rail sections, matching segment #'s (1 with 1, 2 with 2, etc.), then screw together connection points, making sure to leave one side open to allow insertion of graphic. (Quantity of sections varies per model #).
3. Installing the graphic in the rail requires at least (2) people. The first person feeds the graphic, easing the plastic spacers into the extrusion cleanly. The second person should gently pull the graphic along the rail, as the first person continues to feed it.
4. Repeat step 3 for the top rail, and be careful not to tear the graphic.
5. Finish screwing together the end sections, to close the structure.



Halo Rail™ Kit - HRFK, HRSS Series

For Fabric Graphics - HRFK

1. Insert the plastic dowels into the pockets of the graphic, top and bottom
2. Lay out the rail sections, matching segment #'s (1 with 1, 2 with 2, etc.), then screw together connection points, making sure to leave one side open to allow insertion of graphic. (Quantity of sections varies per model #).
3. Insert the graphic with dowels into the channel of the bottom rail, and then the top rail.
4. Finish screwing together the end sections, to close the structure (if applicable).

