

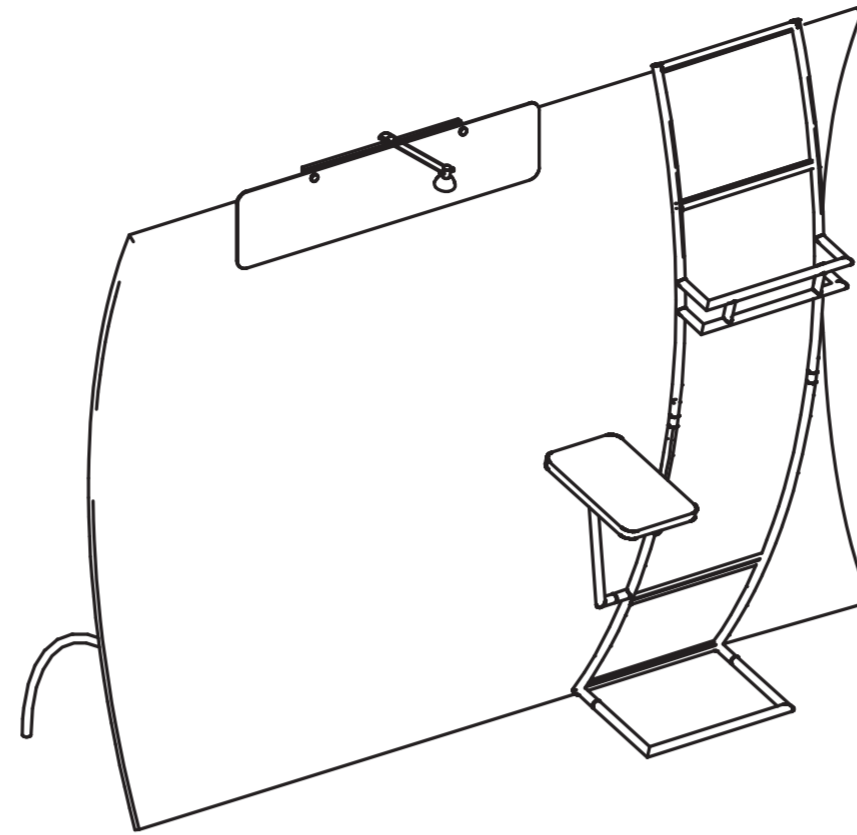
Formulate:

Accent 03

Total Graphic Area: 22" w X 18.5" h

Total Finished Area: 21" w X 17.5" h

Total Visual Area: 21" w X 17" h



Use separate template for formulate backwall graphic. This template only represents the accent graphics.

Please be sure to include the 1/2" bleed around the perimeter.

General Art Guidelines:

- CMYK Color Mode
- All Solid Coated Pantone colors should be called out in the art as spot colors
- Embed all images and support files
- Resolution must be 100-120 ppi
- All fonts must be created to outlines
- Do not scale artboard
- Background color/images must bleed to the edge of artboard
- Do not use spot colors from template in your artwork as they will not print

TOP

The diagram shows a rectangular page layout. A thick gray horizontal bar is at the top, and another thick gray horizontal bar is at the bottom. Vertical dashed lines extend from the top and bottom bars to the left and right edges of the page. The word "BOTTOM" is printed in large, bold, gray capital letters in the lower right quadrant. Below it, the text "bleed area" is followed by a horizontal line that ends in a perpendicular tick mark. Below that, the text "trim line" is followed by a horizontal line that ends in a perpendicular tick mark.

BOTTOM

bleed area

trim line