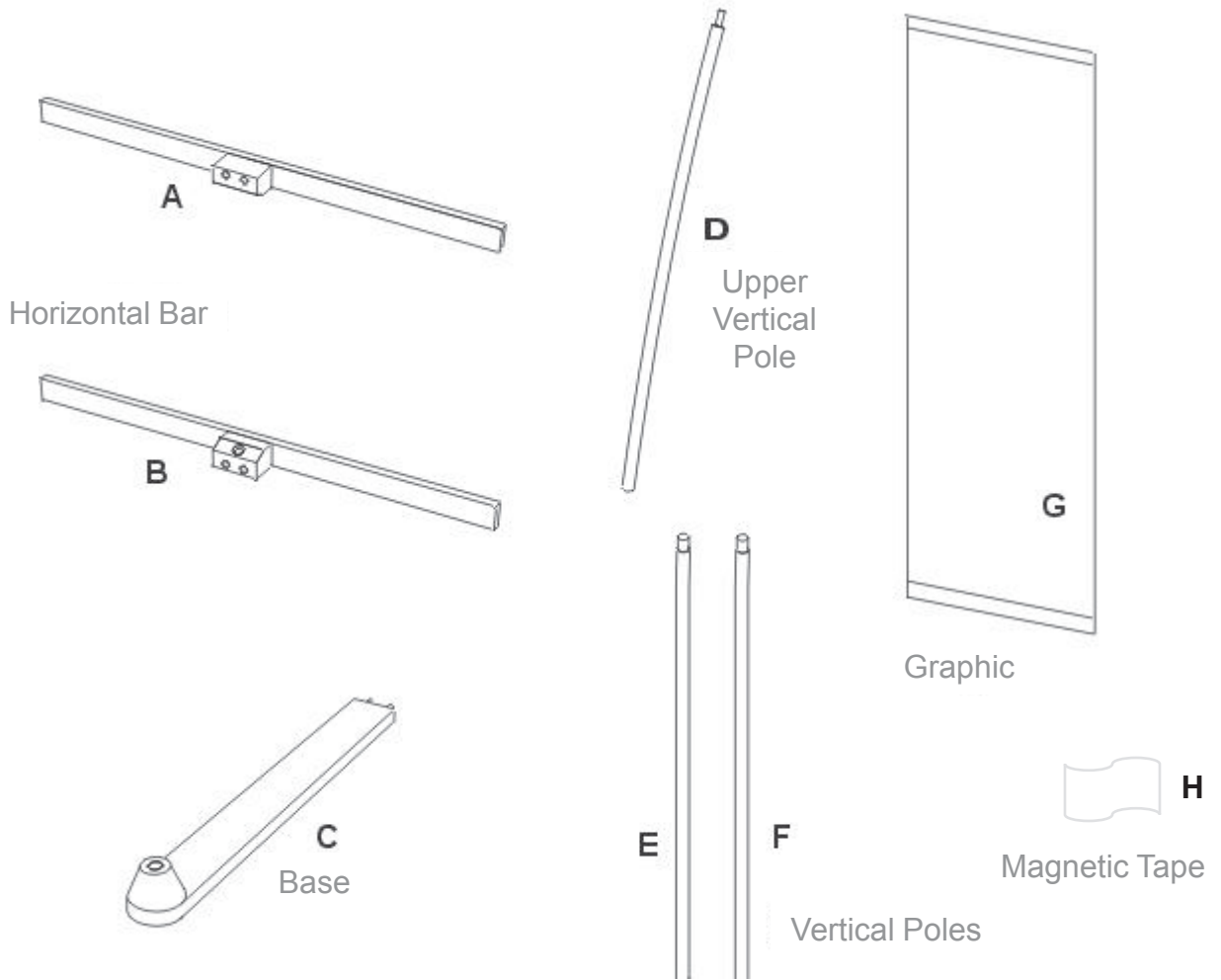


PUNTO

Parts and Features



PUNTO

Instructions

Step 1

Place the base (C) at the desired location.
Connect one horizontal bar (B) with the front of the base (C).

Step 2

Insert one of the Vertical Poles (F) in the corresponding opening on the base (C).

Step 3

Insert the other Vertical Pole (E) inside the first Pole (F).

Step 4

Attach the upper part of the graphic (G) to the front part of the other horizontal bar (A).

Step 5

Insert the Upper Vertical Pole (D) in the horizontal bar (A) that is attached to the graphic.

Step 6

Join the Upper Vertical Pole (D) and the end of the other Vertical Pole (E).

Step 7

Attach the lower end of the graphic (G) to the horizontal bar that is joined to the base. Secure the Hook & Loop strips together, tightening the graphic until it is perfectly flat.

Step 8

To create a mural with several PUNTOS, simply place one beside the other and join them together with magnetic strips (H) adhered to the edge of the graphics.

Note:

To dismantle, follow the same steps in reverse order. Make sure to put away all components in their original packaging.

