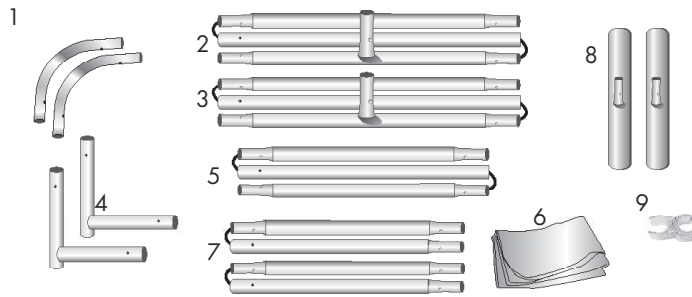


8FT 72" Vinyl Wall Barrier

Product Parts

- 1 - Top Corner Poles (x2)
- 2 - Top Pole
- 3 - Bottom Pole
- 4 - Bottom Corner Poles (x2)
- 5 - Vertical Center Pole - 3pc
- 6 - Vinyl Graphic
- 7 - Left & Right Poles (x2)
- 8 - Feet (x2)
- 9 - Plastic Hinge Connector



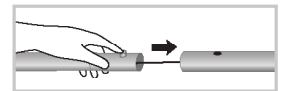
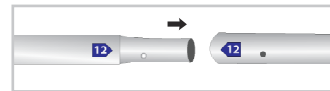
Display Set-Up

Step 1

Begin by removing all parts from the carry case and place on a clean, flat surface. Ensure you have all the components listed above.

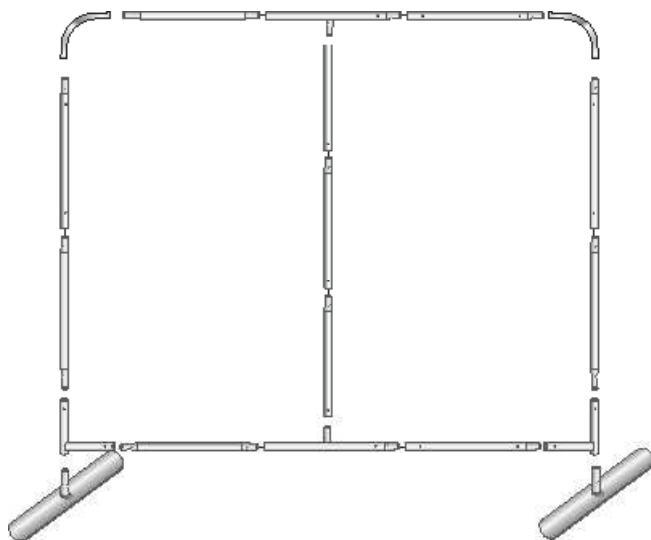
Step 2

Assemble all the poles by connecting the corresponding numbers together while pressing the snap button as shown.



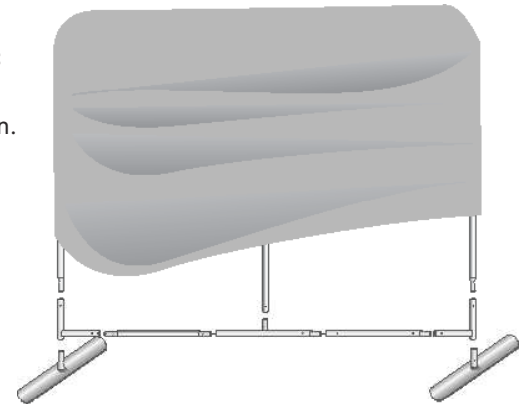
Step 3

Continue to connect the poles illustrated in the image below.



Step 4

Drape the Graphic (6) over the hardware as shown.



Plastic Hinge Connector

Used to connect all Eurofit Displays with 1.25" Diameter Poles.



Storage & Care

Place all product parts into Carry Case and store in a cool dry location. Recommended for indoor use only. Hardware and Graphic can be cleaned with mild soap and water or disinfectant. Roll graphic for proper storage DO NOT FOLD.