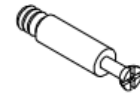
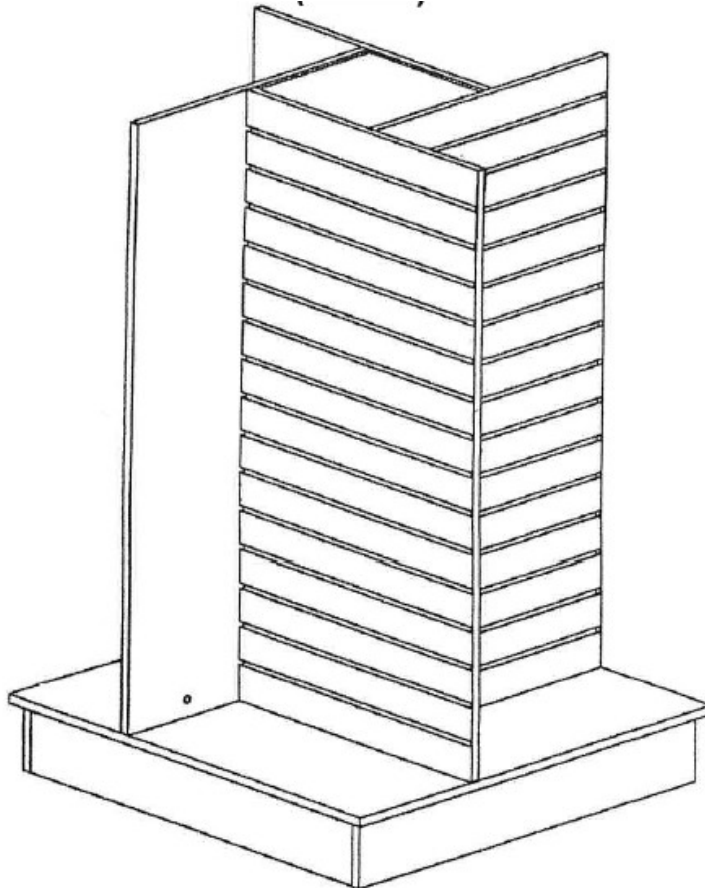


## Slatwall Merchandiser: Pin Wheel



x28



x8



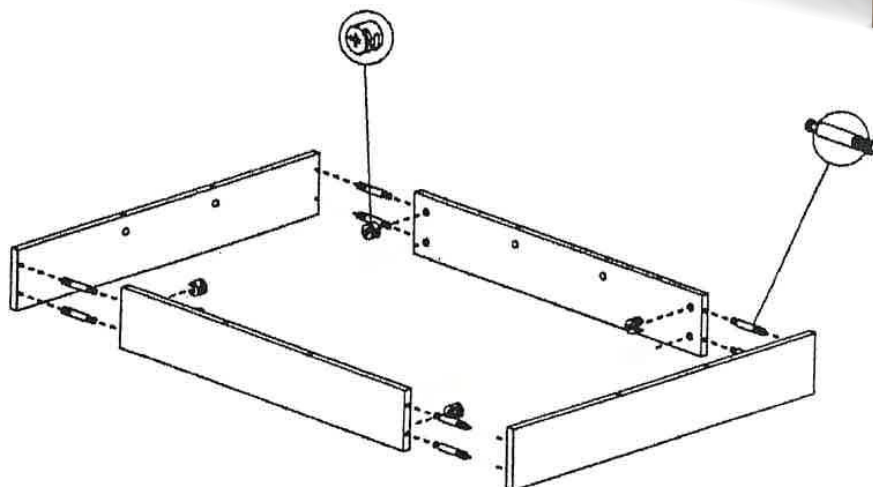
x28

# Assembly Instructions

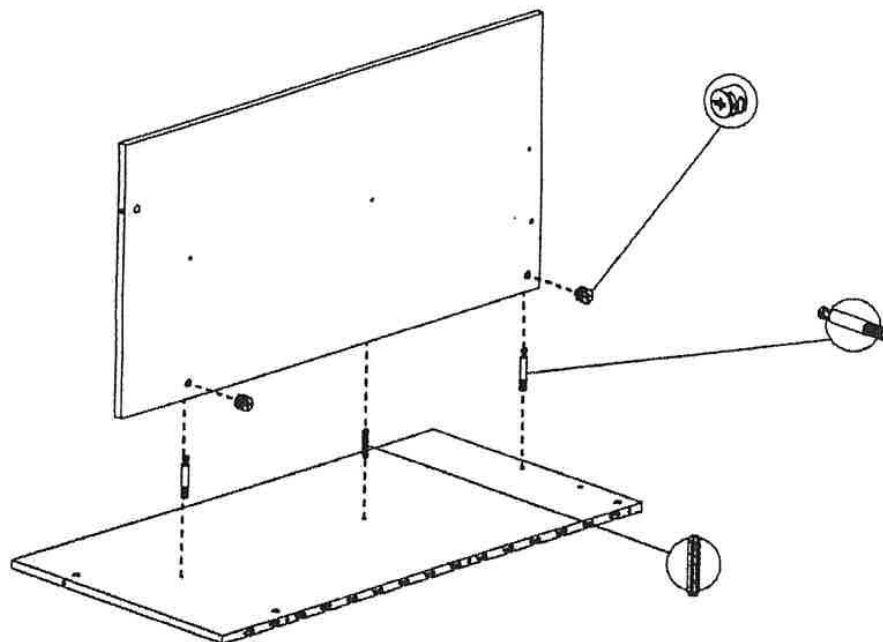
Box Contents



1.



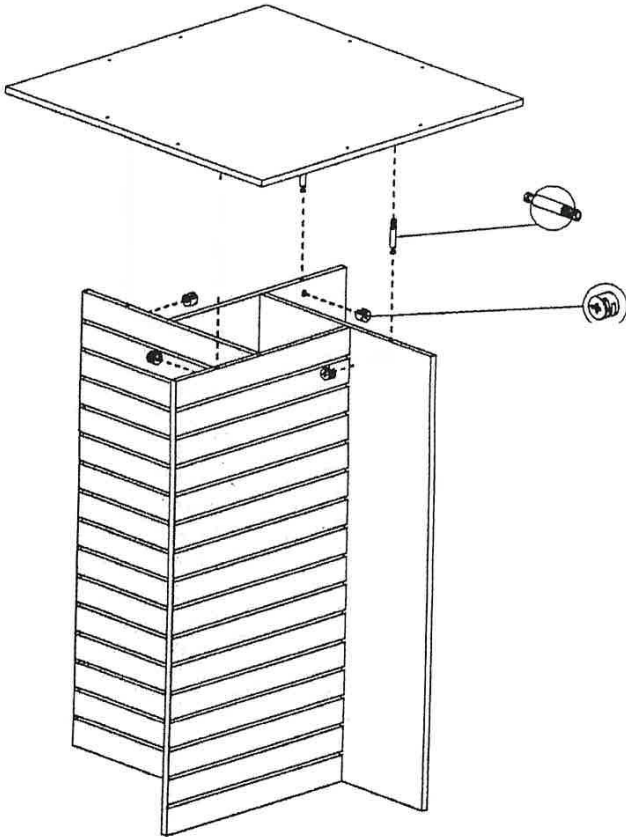
2.



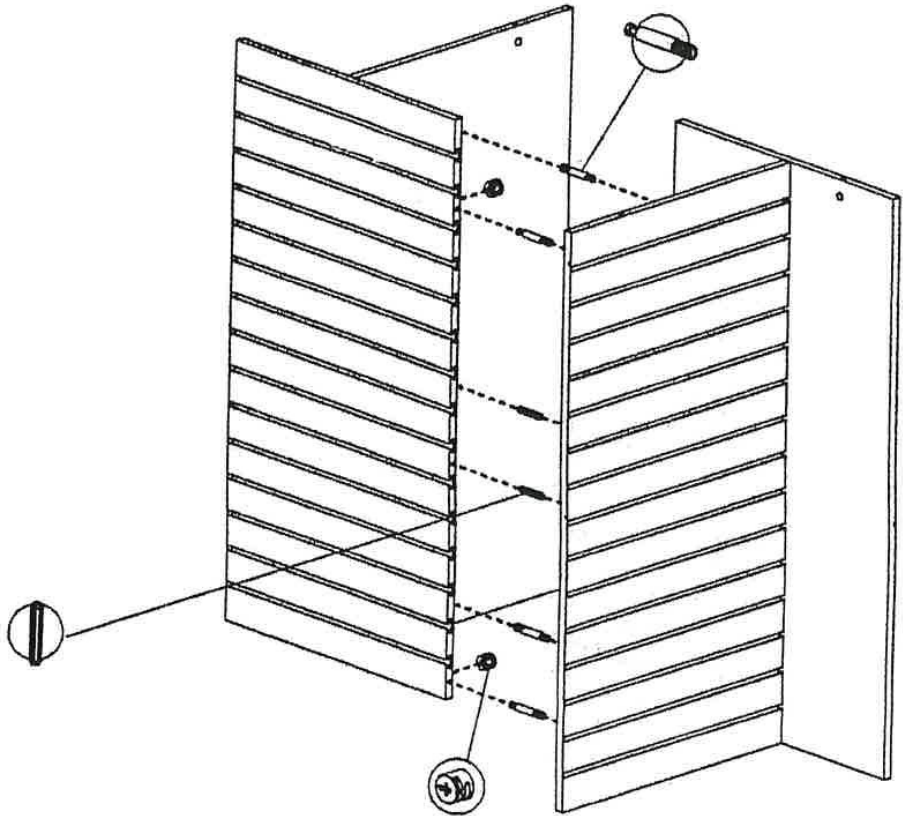
# Assembly Instructions

Box Contents

3.



4.



# Assembly Instructions

Box Contents



5.

