

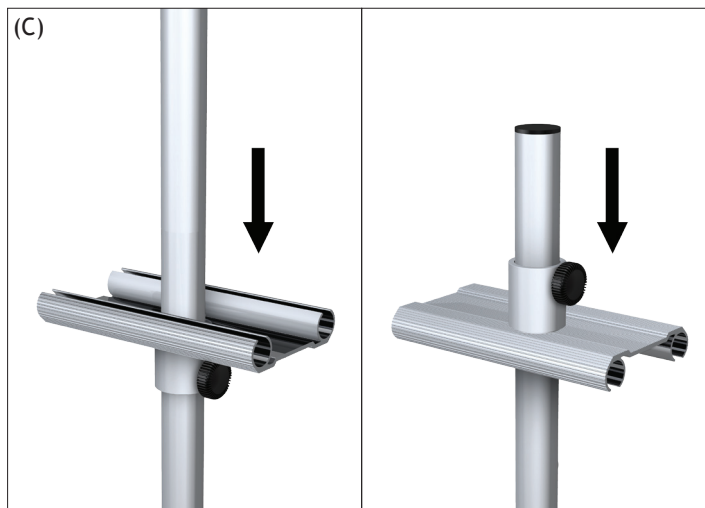
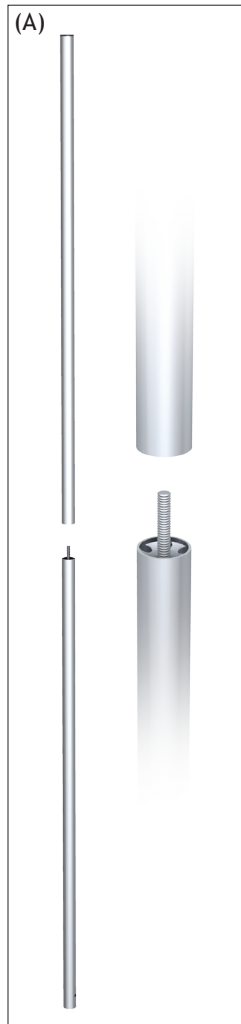
Signholders (Simple™)

Applicable Products:

SS2
SS3

1. Screw upright sections together (fig. A)
2. Determine which base is being used. Align upright over base and screw into place as shown (fig. B).
3. Slide bottom and top graphic holders down pole and secure with knob (fig. C).
4. Slide graphic into top and bottom holders (fig. D).

NOTE: Model shown below may differ from your model. Although the number of upright sections may change, assembly instructions remain the same.



bottom

top

