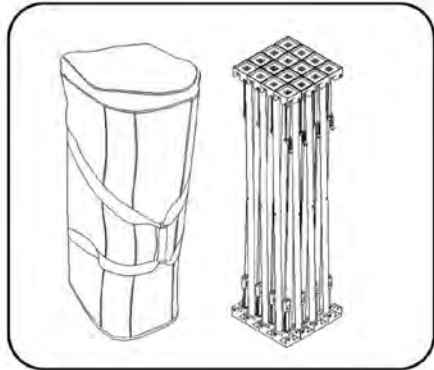


RPL FABRIC POP UP DISPLAY SET UP INSTRUCTIONS

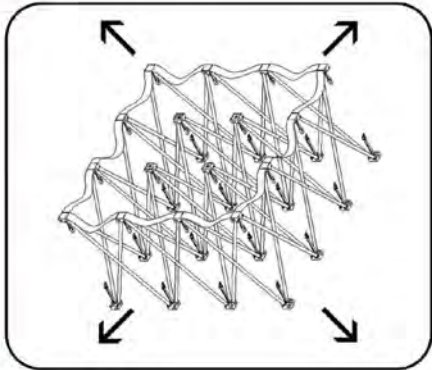
The following instructions are compatible with all shapes and sizes of RPL frames

Frame Assembly

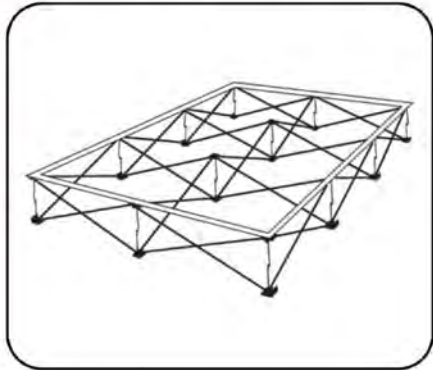
1. Remove frame from bag.



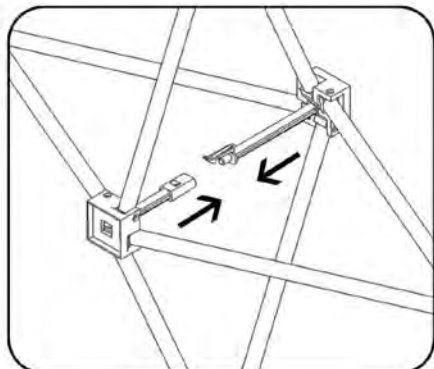
2. Expand frame by pulling outward.



3. Make sure hook strips are facing up

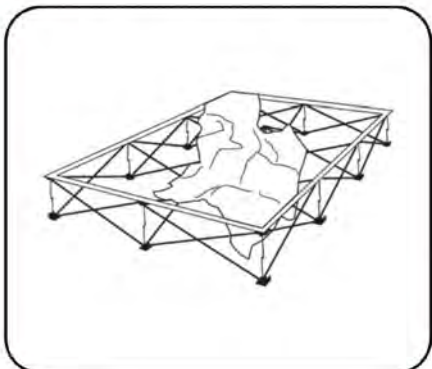


4. Push together all locks on frame to connect.

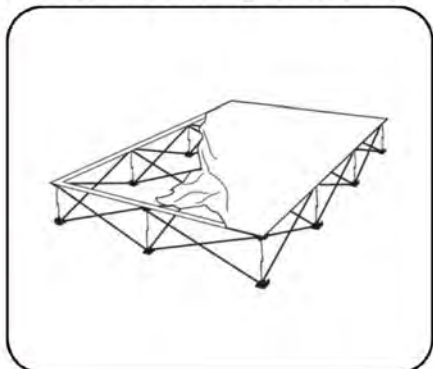


Graphic Installation

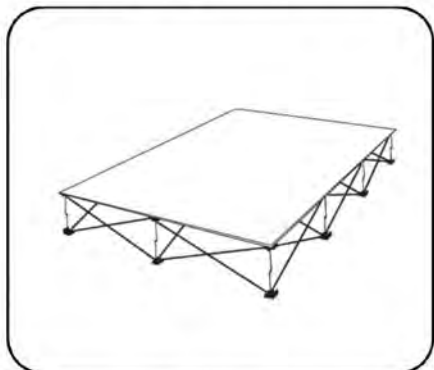
5. Starting at one corner, attach the loop on the graphic to the hook on the frame



6. Attach the rest of the graphic by working your way around the frame. Make sure graphic is pulled taut while attaching the hook and loop



7. If needed, adjust graphic for maximum tautness. Secure end caps to complete.



*Note - To avoid damage, disconnect end caps and all hooks before collapsing frame. Graphic can remain on frame during storage.

