

Hopup

A variety of sizes, kits and options of Hopup displays are available.

Hopup tension fabric displays are simple, versatile and can be set up in seconds. Hopups feature a lightweight, durable frame that holds a curved or straight fabric mural. Simply attach the graphic, pop (expand) the frame and you have an exhibit. All curved and straight Hopups are available with and without end caps.



NEW stabilizer feet on all straight frames 3 quads high



NEW in-molded Hook & Loop end-caps

We are continually improving and modifying our product range and reserve the right to vary the specifications without prior notice. All dimensions and weights quoted are approximate and we accept no responsibility for variance. E&OE. See Graphic Templates for graphic bleed specifications.

features and benefits:

- NEW lighter weight anodized silver frame with a smaller footprint
- NEW stabilizer feet on all straight frames 3 quads high
- NEW grey in-molded Hook & Loop end caps
- Supports an integrated fabric graphic mural (end caps also available)
- Easy assembly
- Rolling carry bag included with all units
- LED lighting available
- Lifetime hardware warranty against manufacturer defects
- Graphics sizes changed slightly due to new frame sizes yet old graphics are compatible with new frames

dimensions:

Hardware:

Straight Frames:

- 1x1: 31" w x 31" h x 12.25" d
- 2x1: 60.5" w x 31" h x 12.25" d
- 2x2: 60.5" w x 60.5" h x 12.25" d
- 3x2: 89.5" w x 60.5" h x 12.25" d
- 2x3: 60.5" w x 90" h x 29" d
- 3x3: 89.5" w x 90" h x 29" d
- 4x3: 119" w x 90" h x 29" d
- 5x3: 147.25" w x 90" h x 29" d

Curved Frames:

- 2x1: 64" w x 31" h x 12.25" d
- 2x2: 64" w x 60.5" h x 12.25" d
- 3x2: 92" w x 60.5" h x 12.25" d
- 2x3: 64" w x 89.5" h x 12.25" d
- 3x3: 92" w x 89.5" h x 12.25" d
- 4x3: 116.25" w x 89.5" h x 12.25" d
- 5x3: 136.5" w x 89.5" h x 12.25" d

Shipping: All kits ship in one box

Straight Frames:

- 1x1: 37" l x 10" w x 10" h / 10 lbs.
- 2x1: 37" l x 10" w x 10" h / 12 lbs.
- 2x2: 37" l x 10" w x 10" h / 16 lbs.
- 3x2: 37" l x 13" w x 12" h / 21 lbs.
- 2x3: 37" l x 13" w x 12" h / 24 lbs.
- 3x3: 37" l x 13" w x 12" h / 28 lbs.
- 4x3: 37" l x 15" w x 13" h / 35 lbs.
- 5x3: 37" l x 15" w x 13" h / 37 lbs.

Curved Frames:

- 2x1: 37" l x 10" w x 10" h / 12 lbs.
- 2x2: 37" l x 10" w x 10" h / 16 lbs.
- 3x2: 37" l x 13" w x 12" h / 21 lbs.
- 2x3: 37" l x 13" w x 12" h / 20 lbs.
- 3x3: 37" l x 13" w x 12" h / 25 lbs.
- 4x3: 37" l x 15" w x 13" h / 32 lbs.
- 5x3: 37" l x 15" w x 13" h / 35 lbs.

Graphic with end caps:

Total Visual Area:

Straight Frames:

- 1x1: 55" w x 31" h
- 2x1: 84.25" w x 31" h
- 2x2: 84.25" w x 60.25" h
- 3x2: 113.5" w x 60.25" h
- 2x3: 84.25" w x 89.5" h
- 3x3: 113.5" w x 89.5" h
- 4x3: 142.5" w x 89.5" h
- 5x3: 171.5" w x 89.5" h

Curved Frames:

- 2x1: 79.75" w x 31" h
- 2x2: 79.75" w x 60.25" h
- 3x2: 106.5" w x 60.25" h
- 2x3: 79.75" w x 89.5" h
- 3x3: 106.5" w x 89.5" h
- 4x3: 133.5" w x 89.5" h
- 5x3: 161" w x 89.5" h

Graphic with no end caps:

Straight Frames:

- 1x1: 31" w x 31" h
- 2x1: 60.25" w x 31" h
- 2x2: 60.25" w x 60.25" h
- 3x2: 89.5" w x 60.25" h
- 2x3: 60.25" w x 89.5" h
- 3x3: 89.5" w x 89.5" h
- 4x3: 118.5" w x 89.5" h
- 5x3: 147.5" w x 89.5" h

Curved Frames:

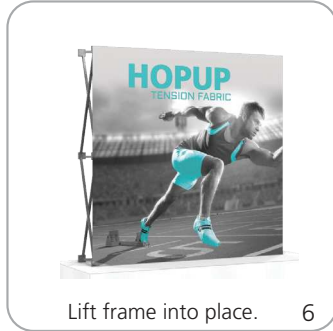
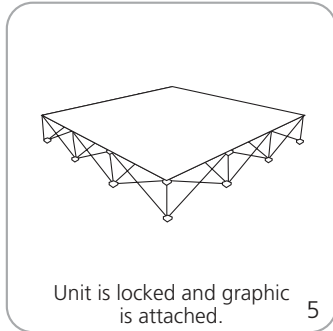
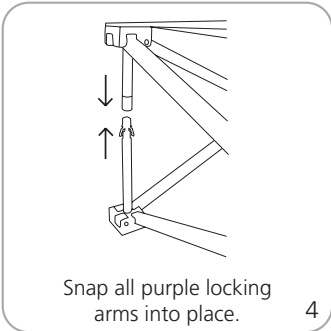
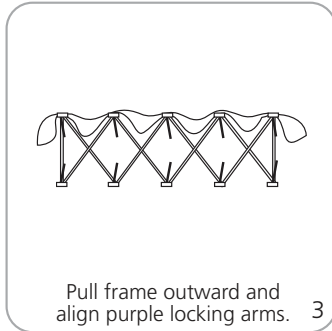
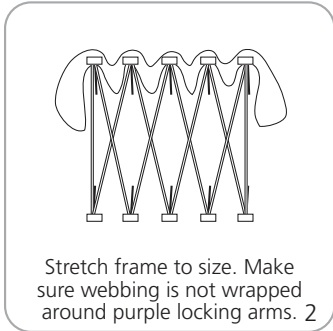
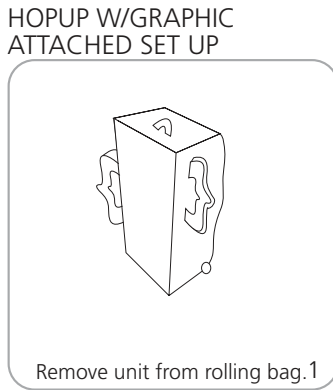
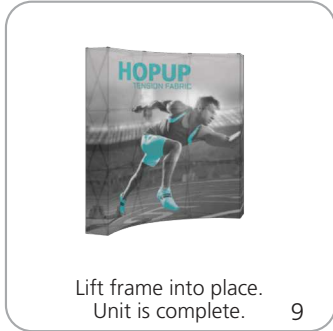
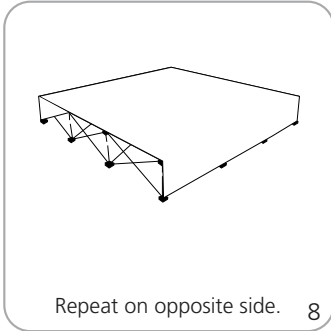
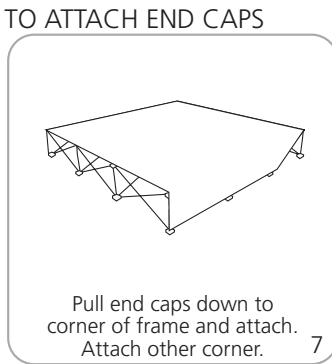
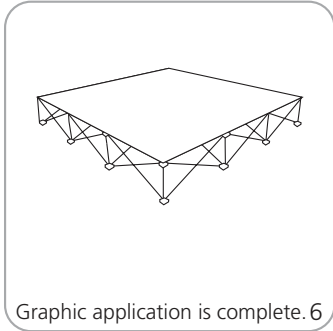
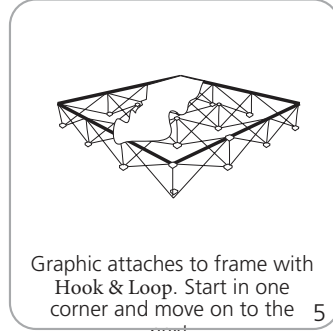
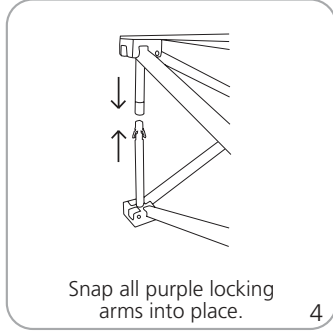
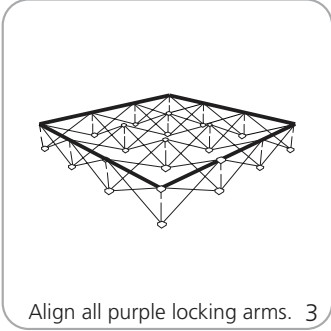
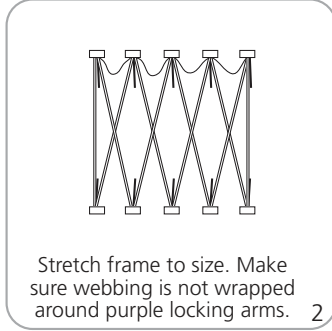
- 2x1: 55.75" w x 31" h
- 2x2: 55.75" w x 60.25" h
- 3x2: 82.5" w x 60.25" h
- 2x3: 55.75" w x 89.5" h
- 3x3: 82.5" w x 89.5" h
- 4x3: 109.5" w x 89.5" h
- 5x3: 137" w x 89.5" h

*All dimensions available in millimeters
Please be sure to include a 2" bleed around perimeter.
Refer to related graphic template for more information.

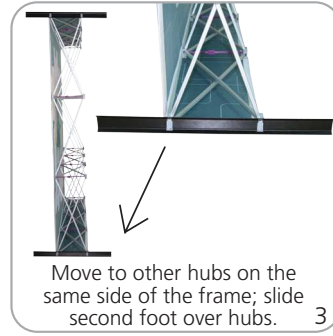
additional information:

- Graphics sizes changed slightly due to new frame sizes yet old graphics are compatible with new frames
- Replacement parts available for old and new Hopup
- Refer to page 4 for curved Hopup frame footprints
- Lights & accessories are compatible from old to new design
- 4x3 Hopup now packs with a rollerbag into the OCP or OC-HOP case (optional upgrade)

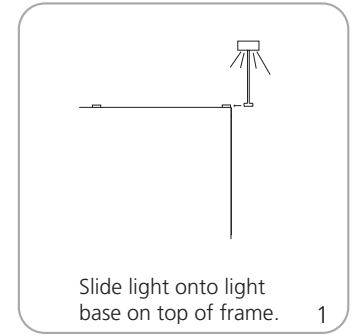
HOPUP GRAPHIC ATTACHMENT



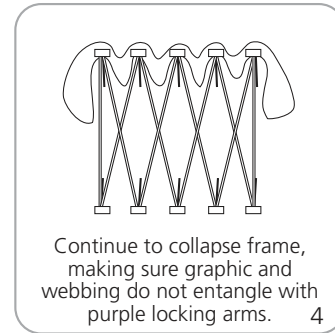
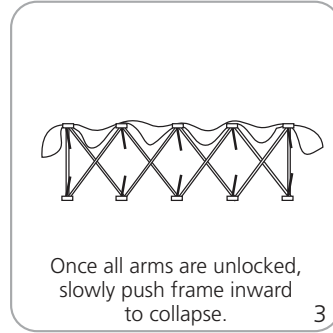
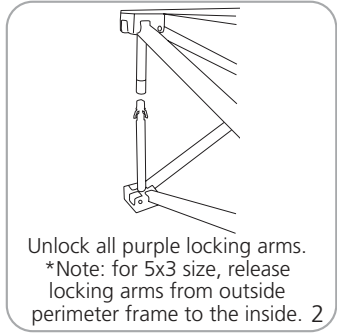
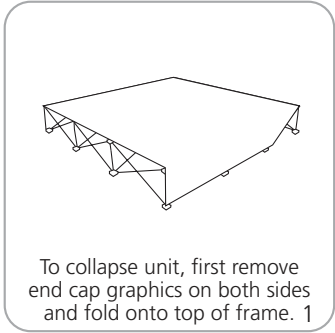
ATTACH STABILIZER FEET



TO ATTACH LIGHTS



TO COLLAPSE

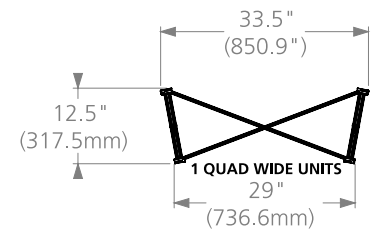
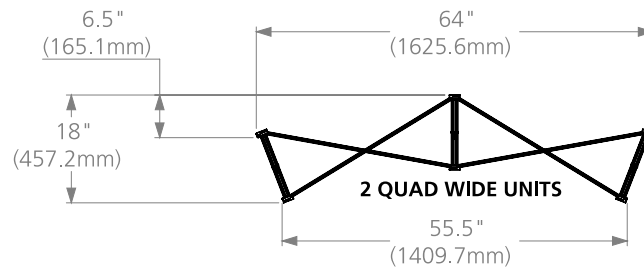
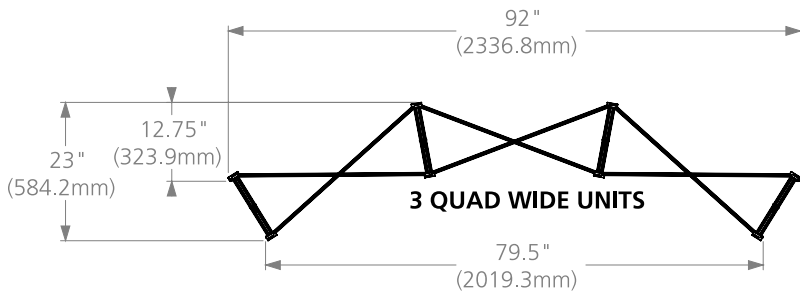
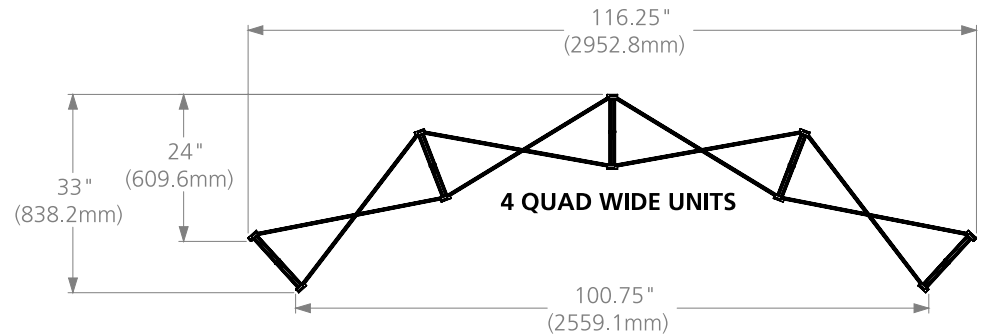
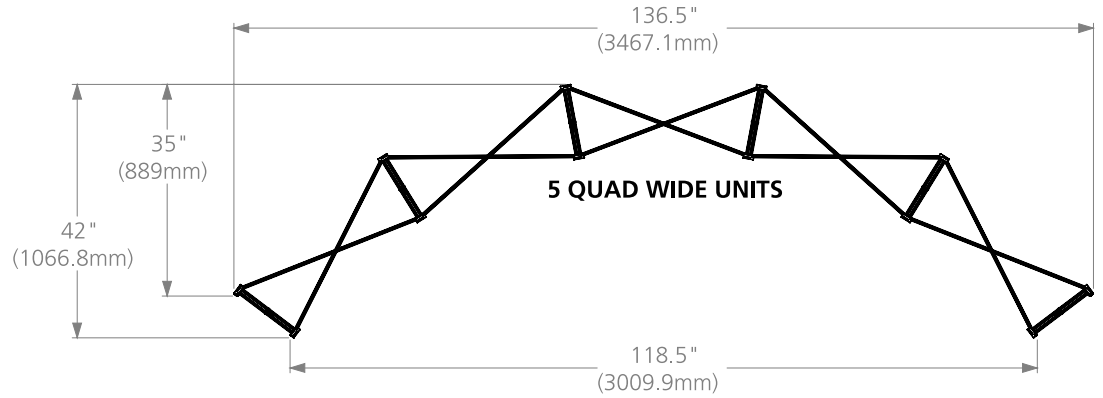


to ensure quality, please note:



Curved Hopup

The curved HopUp gives your tension fabric backwall visual interest and dimension.



Straight Hopup

Straight Hopup frame footprints fit in a 10' x 10' space, with the exception of 5 quad wide units which fit in a 10' x 13' space. Stabilizer feet present on all straight frames 3 quads high.

