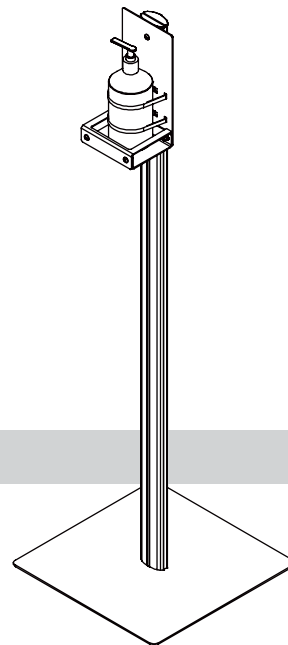
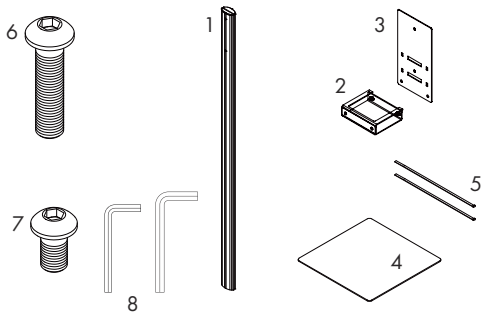


# Hand Sanitizer

## Product Parts

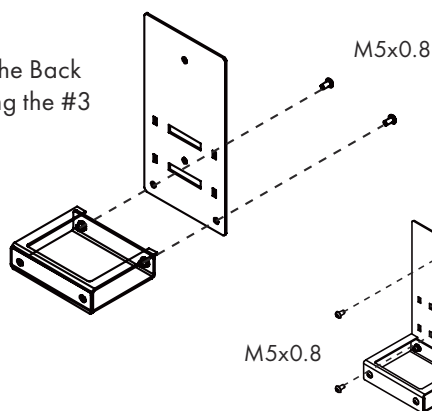
1. Post with cap
2. Tray
3. Back Bracket
4. Base
5. Zip Ties (x6)
6. M6x1.0 Screw (x2)
7. M5x0.8 Screw (x4)
8. #3 & #4 Hex Wrench



## Display Set-Up

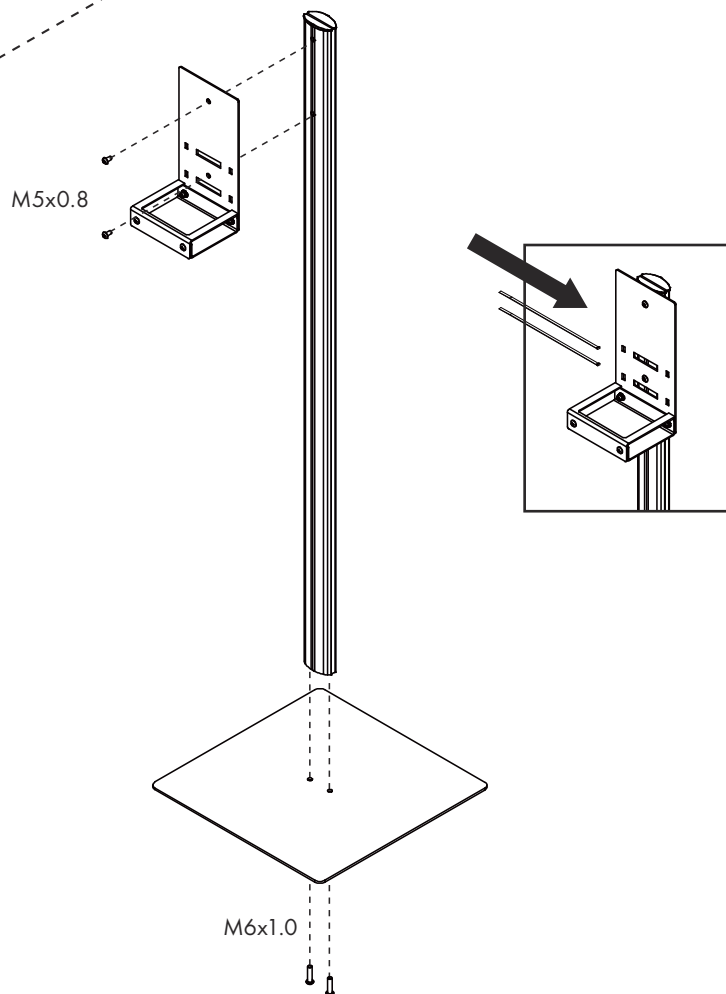
### Step 1

Using two of the M5x0.8 Screws (7) fasten the Back Bracket (3) and the Tray (2) as pictured, using the #3 Hex Wrench (8).



### Step 2

If you have ordered a graphic only, affix \*graphic to base first then attach the Post (1) to the Base (4) with the two M6x1.0 Screws (6), using the #4 Hex Wrench (8). \*Base Graphic will be installed for you if you have ordered a kit.



### Step 3

Place two M5x0.8 Screws (7) through holes on Back Bracket (3) and align to threaded rivets in channel.

### Step 4

Place your container of hand sanitizer (**NOT INCLUDED**) onto stand and secure in place with the Zip Ties (5).

## Storage & Care

To Store: Store upright in a cool dry place. To Clean: Use soap and water.

DO NOT USE homemade formulas of sanitizer. For further guidance on sanitizer solutions go to <https://www.fda.gov/media/136289/download> the FDA's guidance on sanitizer products.