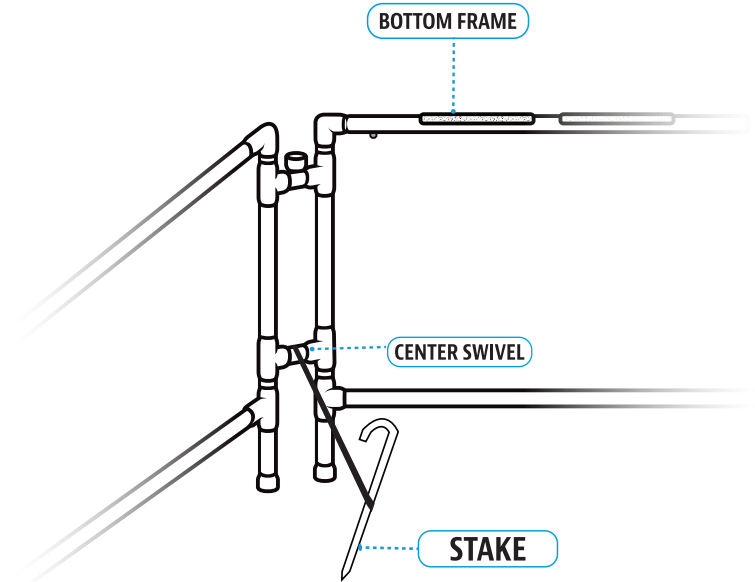
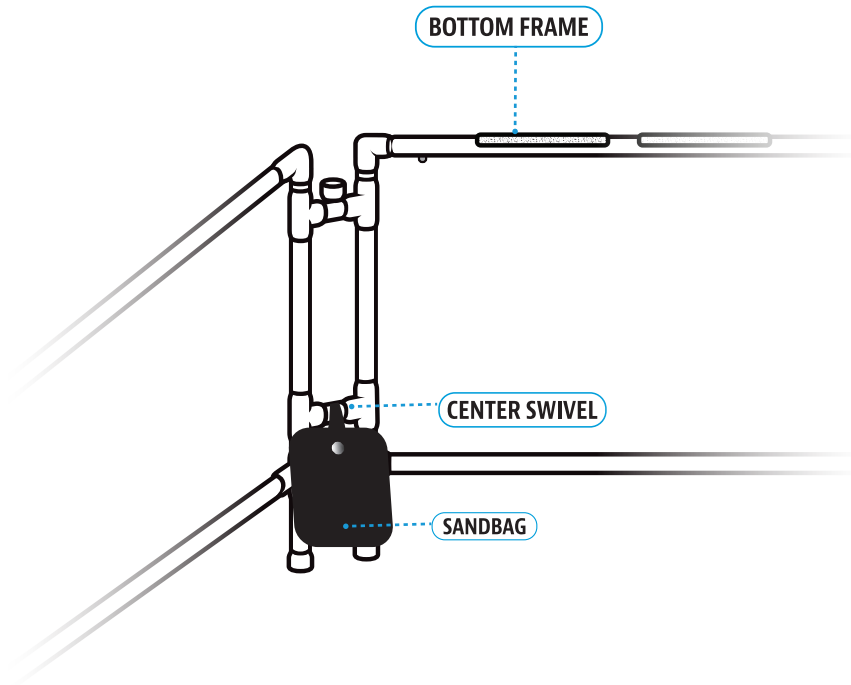


▶ SANDBAG & STAKE

PLACEMENT INSTRUCTIONS



PLACEMENT ▼

Place center of the Sandbag on the Bottom Frame as shown to the diagram to the left. Center of the Sandbags should be placed on all corner swivels. Attach Sandbags and Stakes/Tiedowns to the lower swivel on the inside of frame.

(Bottom Frame in diagram is an example and may not match your exact product.)