

▶ PRODUCT CARE INSTRUCTIONS

To ensure that you obtain the best possible results, please read these instructions thoroughly and save for future reference.

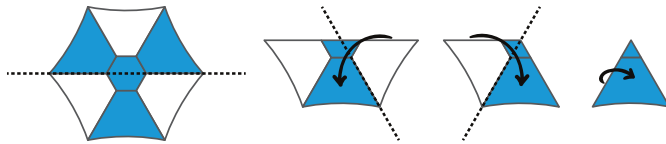
STORAGE & TRANSPORT ▼

Store the Gazebo's vinyl Top Canopy and Skirt in the included bag.

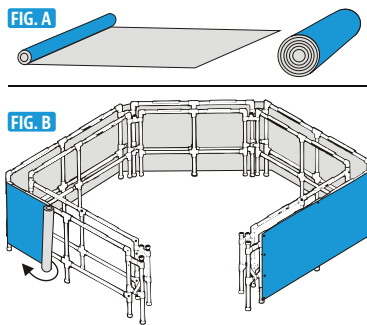


VINYL

To store the Gazebo Top Canopy: First, fold in half, as shown below. Next, fold along the seams until you have a triangle the size of one panel. Finally, roll the Top Canopy from edge to edge.

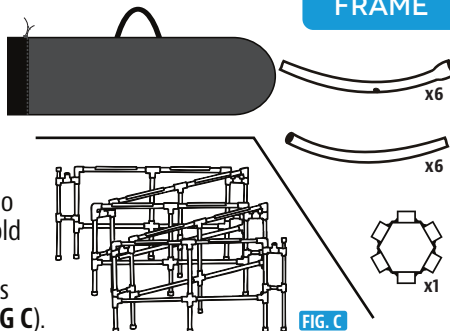


To store the Gazebo Skirt: While in an indoor location with a clean, dry floor, roll the skirt on the floor with the vinyl side out and the cloth side in (FIG. A). Otherwise, to keep the Gazebo Skirt off of the ground, simply roll the skirt with the vinyl side in as you are unsnapping the skirt from the bottom frame (FIG. B). **CAUTION! Do not drag vinyl on ground. Severe abrasion will damage the vinyl and graphics.**



STORAGE & TRANSPORT ▼

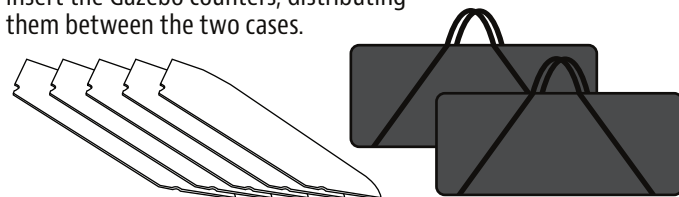
Disassemble the Gazebo Top Frame. Place the separated parts into the included frame bag. Next, disconnect the inner and outer Gazebo Bottom Frames and fold each separately for transport or storage as shown to the right (FIG C).



FRAME

STORAGE & TRANSPORT ▼

Lay the two included counter cases flat. Insert the Gazebo counters, distributing them between the two cases.



COUNTERS

VINYL CARE ▼

WARNING! Do not apply adhesive tape of any kind to the surface of printed vinyl. Doing so will damage the printing and WILL void the warranty.

When storing vinyl, make sure it is completely dry to prevent mold and mildew.

Carefully roll top and skirt vinyl (do not wad up) to avoid creases and wrinkles.

Avoid placing heavy items on top of vinyl. Proper care will help the vinyl look good for years.

Clean the outside of the vinyl with soap & water. Vinyl preservatives extend the life of the vinyl. Do not scrub printed custom graphics.

Avoid letting the cloth backing on the vinyl get dirty or stained. If it gets dirty, clean with warm soap and water and let it dry thoroughly before storing.

Do not fold the frame while the skirt is still snapped on. If the vinyl is cold it will be tight when snapping to the frame.

When unsnapping hold near the snap and pull straight. Do not yank or pull from a distance.

PVC FRAME CARE ▼

Clean with soap and water. For stronger stains use a mild abrasive household cleaner such as Clorox Soft Scrub and wipe afterwards with water. Do not use dry abrasive cleaners. This will scratch the PVC finish.

Clean any dirt build-up on the inside of the fittings and outside of the pipe ends. This will make it easier for insertion when assembling and removal when disassembling.

When storing gazebo frames it is best to rotate the rib sockets upside down. This prevents dirt and/or water from collecting in them.

COUNTER & SHELF CARE ▼

Clean with soap and water. For stronger stains use a mild abrasive household cleaner such as Clorox Soft Scrub and wipe afterwards with water.

Do not set items on the under counter shelf that will bulge or spill on the skirt. Center heavy items over the cross brace. Slide the cross brace towards the center legs for maximum support.

OUTDOOR USE ▼

Gazebos are strong, sturdy, and designed to withstand windy conditions. Stakes and tie downs or sandbags are recommended in windy conditions. For 30+ MPH winds or wind gusts it is recommended to remove the vinyl top & skirt.

When setting up on an uneven ground or surface make sure that all feet are touching firmly.

Avoid setting up on muddy ground. It will stain the bottom of the Gazebo skirt.