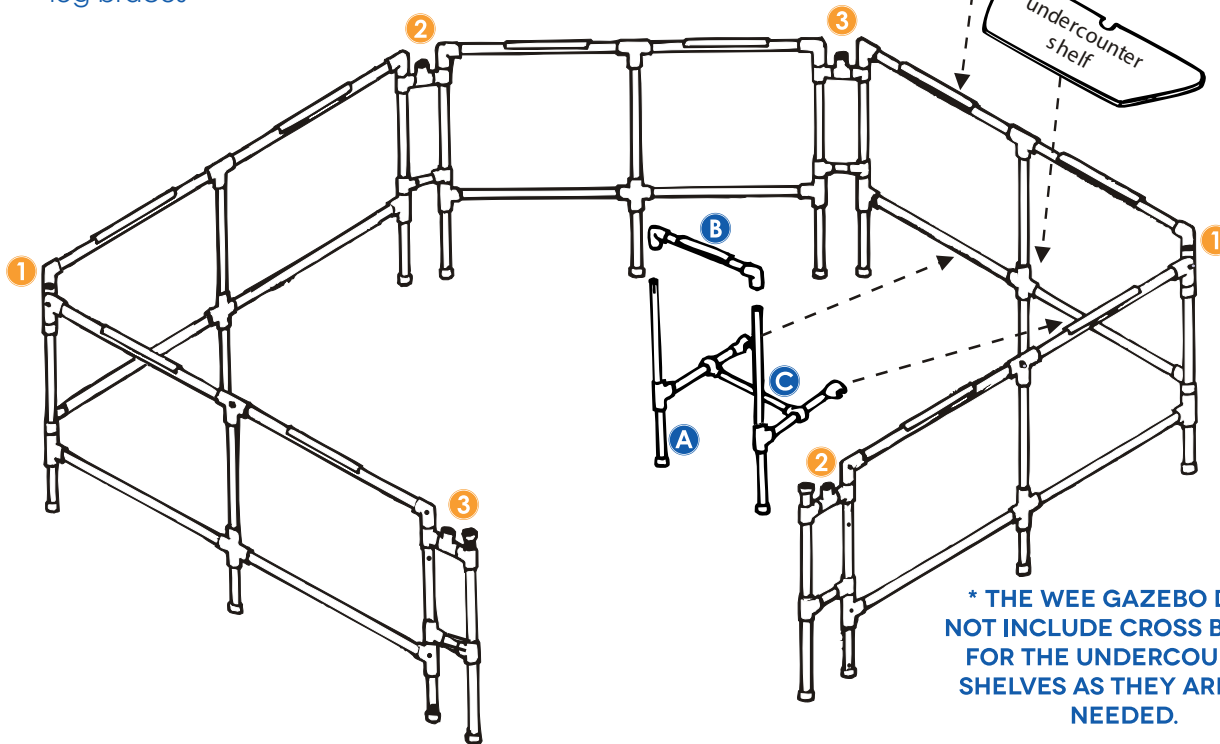


**Gazebo Setup:**

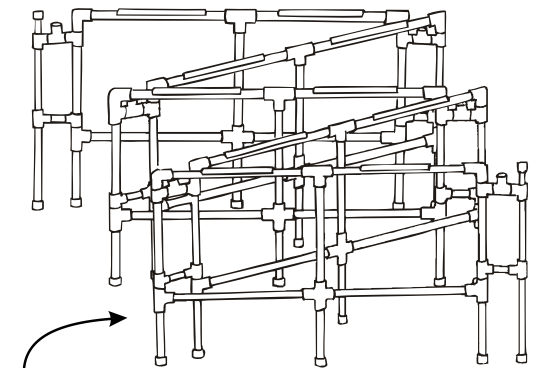
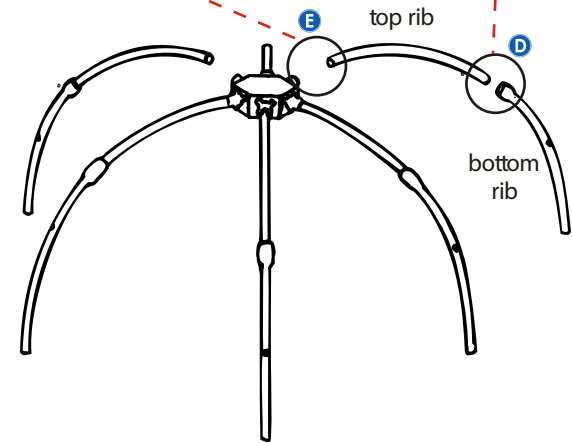
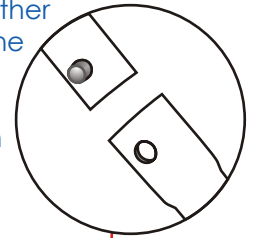
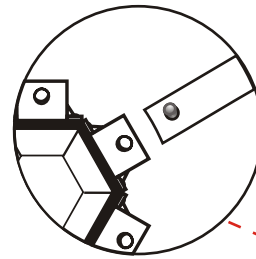
- 1) Unfold bottom frame into hexagon with snaps facing out
- 2) Make a "Spider" by inserting all six assembled ribs into the crown (see diagram at right).
- 3) Lift the "Spider", insert rib pairs 1, 2, and 3 into frame sockets.
- 4) Throw the top canopy over the assembled "Spider" and snap it to the ribs.
- 5) Snap the skirt on, starting at one end.
- 6) Clip counter legs (A) to hexagon frame. Attach upper and lower counter support cross braces (B & C).
- 7) Align counters with Hook & Loop and press down firmly.
- 8) Place optional undercounter shelves on bottom counter leg braces



**\* THE WEE GAZEBO DOES NOT INCLUDE CROSS BRACES FOR THE UNDERCOUNTER SHELVES AS THEY ARE NOT NEEDED.**

**Rib and Crown Setup:**

Slip top and bottom ribs together (D), then insert the ribs into the crown (E). Make sure the button comes through the hole in the bottom rib and on the crown.



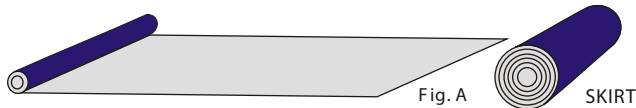
For transport or storage, fold the frame and secure it with bungee cords or string. Disassembly of the bottom frame is unnecessary.

# GAZEBO CARRYING CASES & PRODUCT CARE INSTRUCTIONS

To ensure that you obtain the best possible results, please read the instructions thoroughly and save for future reference.



Vinyl Top and Skirt Case



If you are in an indoor location with a clean, dry floor you can roll the skirt on the floor with the vinyl side out and the cloth side in. (Fig. A)

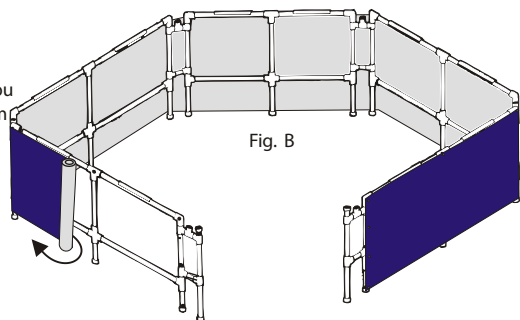
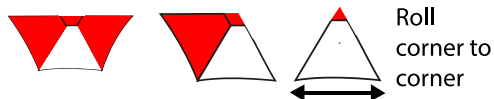


Fig. B



Roll corner to corner

## CONTENTS:

1 top canopy & 1 skirt

To keep the skirt off the ground when rolling the vinyl, simply roll the skirt as you are unsnapping the skirt from the bottom frame. (Fig.B)

**CAUTION!** Do not drag vinyl on ground. Severe abrasion will damage the vinyl and graphics.

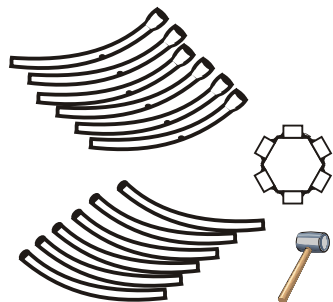
## ROLLING THE TOP CANOPY

## Vinyl Care

- WARNING!** Do not apply adhesive tape of any kind to the surface of printed vinyl. Doing so will damage the printing and WILL void the warranty.
- When storing vinyl, make sure it is completely dry, to prevent mold and mildew.
- Carefully roll top and skirt vinyl (do not wad up) to avoid creases and wrinkles.
- Avoid placing heavy items on top of vinyl. Proper care will help the vinyl look good for years.
- Clean the outside of the vinyl with soap & water. Vinyl preservatives extend the life of the vinyl. Do not scrub printed custom graphics.
- Try not to let the cloth backing on the vinyl get dirty or stained. If it gets dirty, clean with warm soap and water and let it dry thoroughly before storing.
- Do not fold the frame while the skirt is still snapped on. If the vinyl is cold it will be tight when snapping to the frame.
- When unsnapping hold near the snap and pull straight. Do not yank or pull from a distance.



Rib and Crown Case



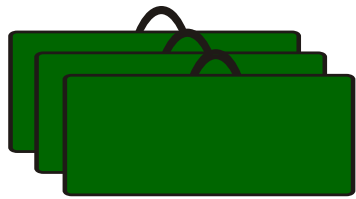
## CONTENTS:

1 crown 1 mallet  
6 top ribs 6 bottom ribs

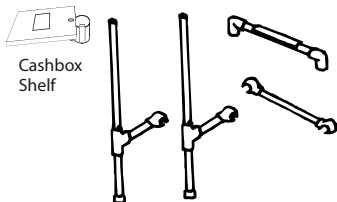
## Care of PVC Ribs, Counter Supports, & Frame

- Clean with soap and water. For stronger stains use a mild abrasive household cleaner such as Clorox Soft Scrub and wipe afterwards with water. Do not use dry abrasive cleaners. This will scratch the PVC finish.
- Clean any dirt build-up on the inside of the fittings and outside of the pipe ends. This will make it easier for insertion when assembling and removal when disassembling.
- When storing gazebo frames it is best to rotate the rib sockets upside down. This prevents dirt and/or water from collecting in them.

The rubber hammer may be used when assembling and disassembling the counter's upper and lower supports.

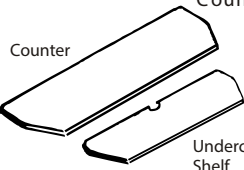


Counter Cases



## FOR MANAGEABILITY:

Put counters and undercounter shelves in the same case(s). Put legs and crosspieces in the same case(s).



Counter

Undercounter Shelf

## Care of Counters & Shelves

- Clean with soap and water. For stronger stains use a mild abrasive household cleaner such as Clorox Soft Scrub and wipe afterwards with water.
- Do not set items on the under counter shelf that will bulge or spill on the skirt. Center heavy items over the cross brace. Slide the cross brace towards the center legs for maximum support.

LAYING CASES FLAT makes it easier to insert materials into the cases.

## Outdoor Use

- Gazebos are strong, sturdy, and designed to withstand windy conditions. Stakes and tie downs or sandbags are recommended in windy conditions. For 30+ MPH winds or wind gusts it is recommended to remove the vinyl top & skirt.
- When setting up on an uneven ground or surface make sure that all feet are touching firmly.
- Avoid setting up on muddy ground. It will stain the bottom of the skirt.