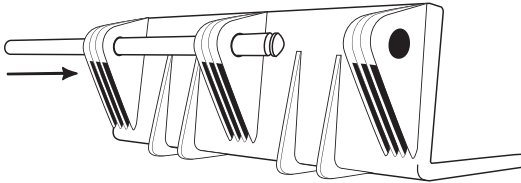


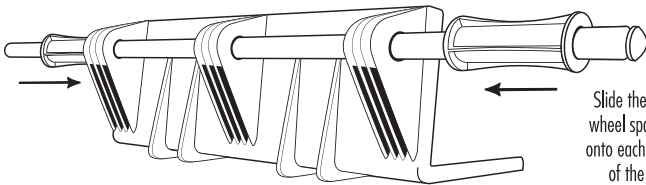


# Roller Bag Wheel Kit ASSEMBLY INSTRUCTIONS

Use the Roller Bag to store and transport your E-Z UP® Instant Shelter® product.

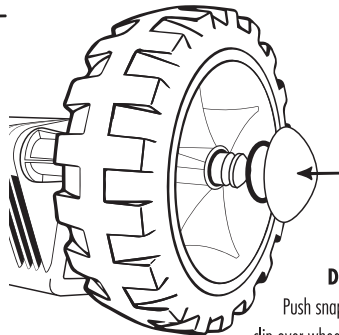
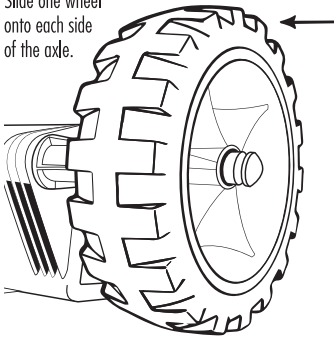


**A.**  
Slide axle through  
Roller Bag receiver.



**B.**  
Slide the two  
wheel spacers  
onto each side  
of the axle  
(one on each side).

**C.**  
Slide one wheel  
onto each side  
of the axle.



**D.**  
Push snap  
dip over wheel  
axle end (against wheel).

**YOUR ROLLER BAG IS READY TO USE! ENJOY!**

 **CAMELBACK**  
DISPLAYS™  
OVER 60,000 CUSTOMERS SERVED SINCE 1999