

Wind Dancer

WIND-LT

The Wind Dancer is a great option for outdoor and indoor banner displays. It offers an adjustable display height of up to 16' and comes with a hollow base. The Spire conversion allows for a dual display and the Flag Pole conversion allows for proud display of any standard size flags.



We are continually improving and modifying our product range and reserve the right to vary the specifications without prior notice. All dimensions and weights quoted are approximate and we accept no responsibility for variance. E&OE. See Graphic Templates for graphic bleed specifications.

features and benefits:

- Adjustable height up to 17'3"
- Flag is approximately 3'6" wide
- Easy to position, erect and remove
- Optional carry bag available
- One-year hardware warranty on manufacturer defects
- Made from 100% recyclable materials
- Single or double sided graphic option

dimensions:

Hardware	Graphic
<p>Assembled unit: 36" w x 36" d x 209" h 914.4mm(w) x 914.4mm(d) x 5308.6mm(h)</p> <p>Base unit: 36" w x 36" d x 6" h approx. 914.4mm(w) x 914.4mm(d) x 152.4mm(h)</p> <p>Weight when filled with water: 165.75lbs/75.2kg</p>	<p>43" w x up to 144" h 1092.2mm(w) x 3657.6mm(h)</p> <p>Refer to related graphic template for more information</p>
<p>Shipping</p> <p>Shipping dimensions - ships in two boxes Box 1: 34" l x 17" w x 17" h 863.6mm(l) x 431.8mm(w) x 431.8mm(h) Box 2: 68" l x 9" w x 5" h 1727.2mm(l) x 228.6mm(w) x 127mm(h)</p> <p>Approximate shipping weight: Box 1: 18lbs/8.2kg Box 2: 16lbs/7.3kg</p>	

additional information:

Bag dimensions:
Pole bag - 64" l x 10" w
1625.6" l x 254" w
Base bag - 28" l x 16" w x 16" h
711.2mm(l) x 406.4mm(w) x 406.4mm(h)

Base can hold approximately 222 lbs or 2.22 cubic feet of sand

*For applications below 40 degrees fahrenheit, please use sand in place of water.

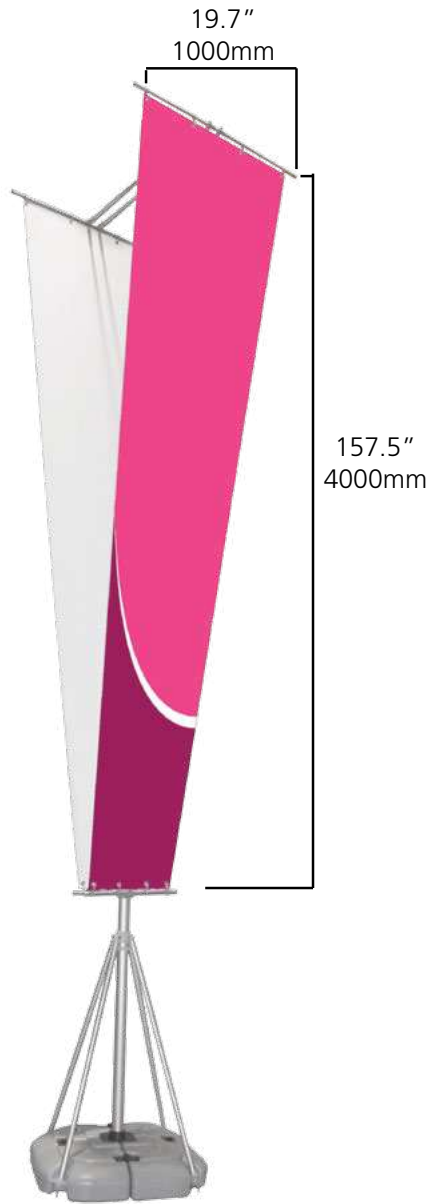
Graphic materials:
4 oz. flag

Hard case option: OCH2

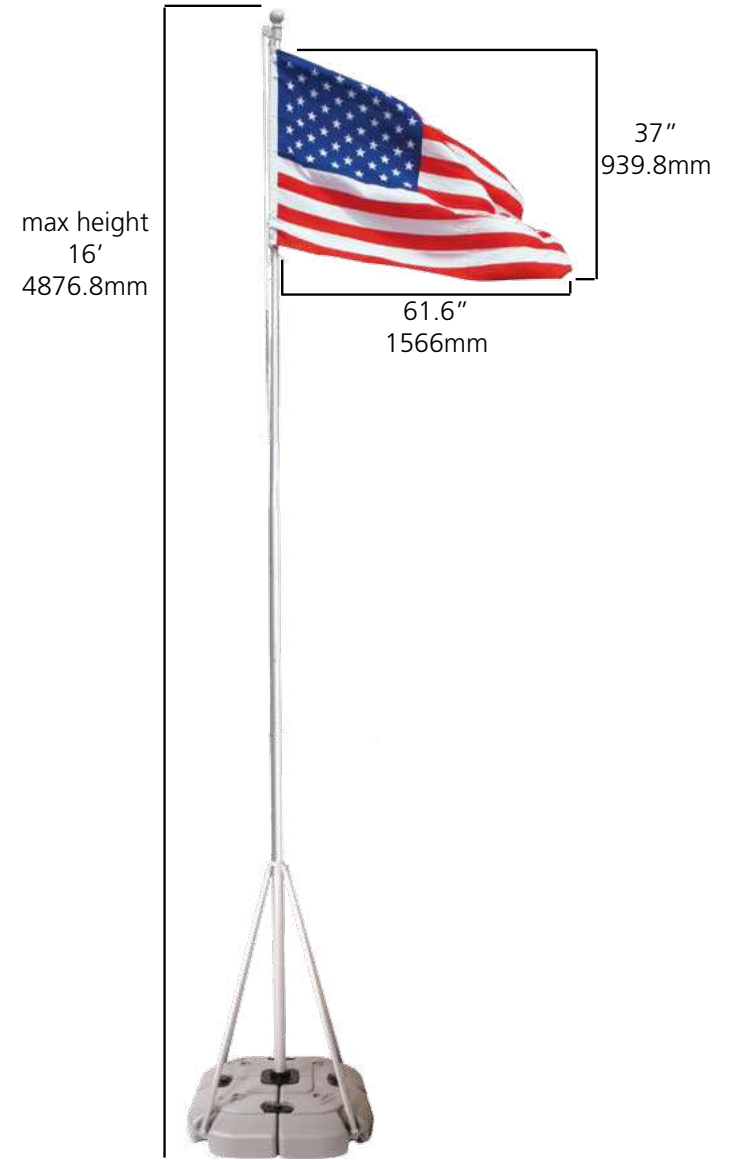
Wind Dancer



Wind Dancer Spire Conversion

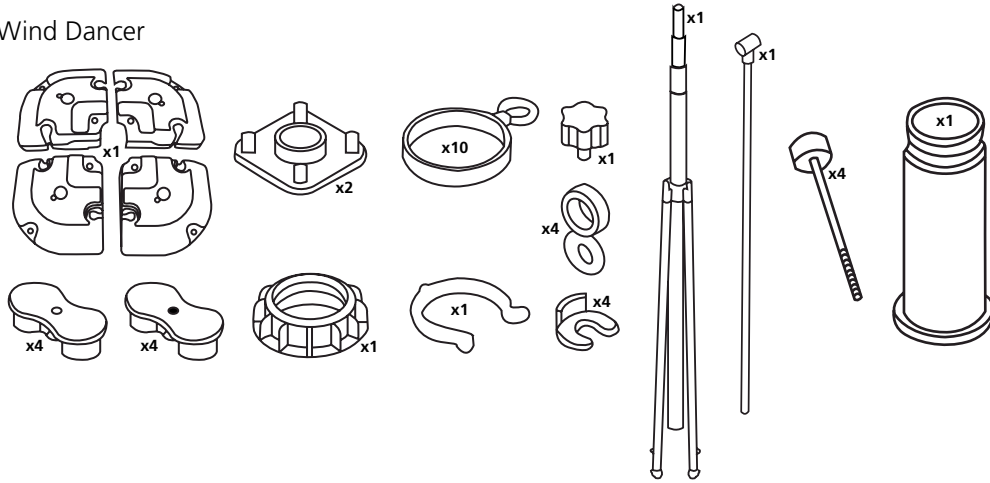


Lanyard Conversion



Pieces required for assembly

Wind Dancer



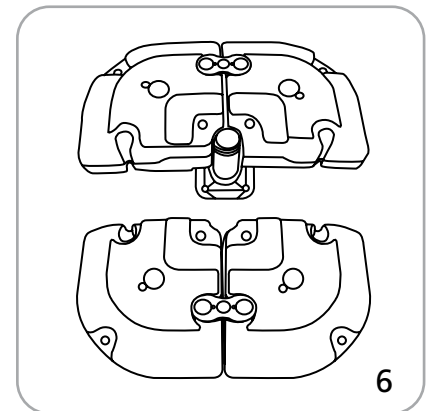
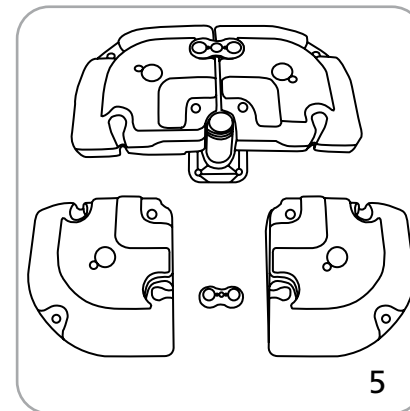
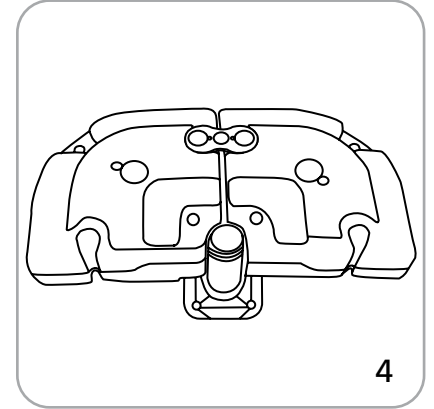
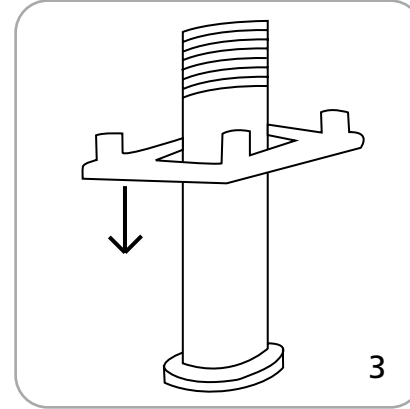
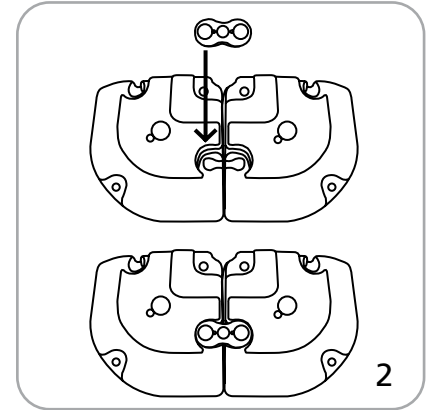
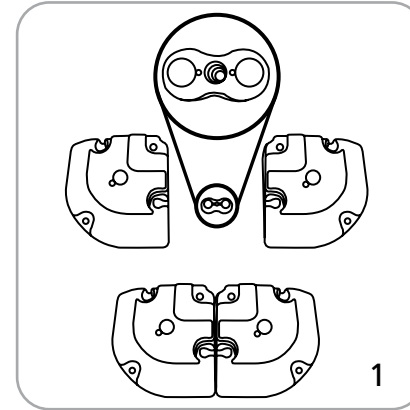
Wind Dance Spire conversion

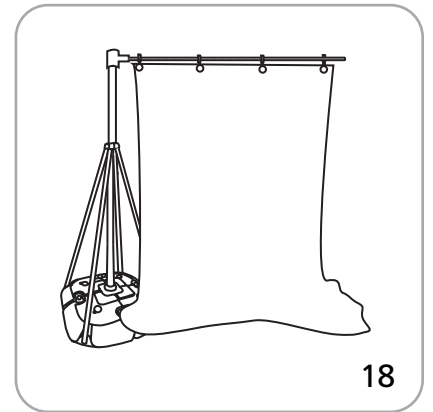
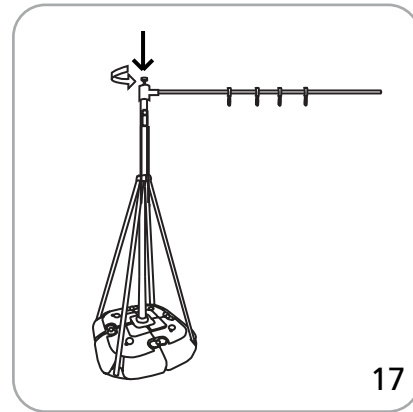
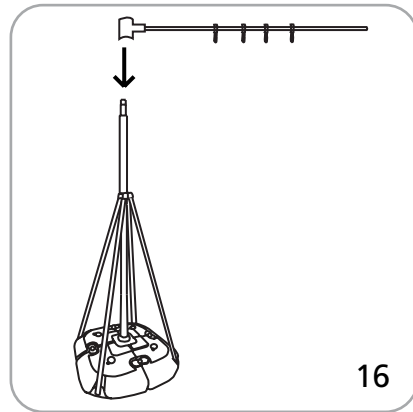
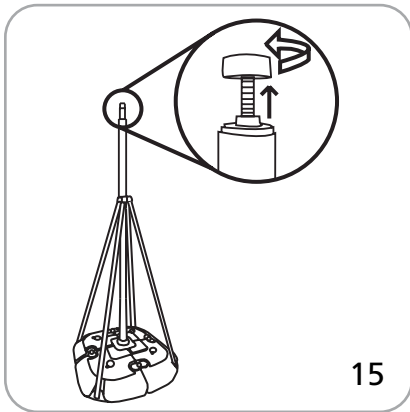
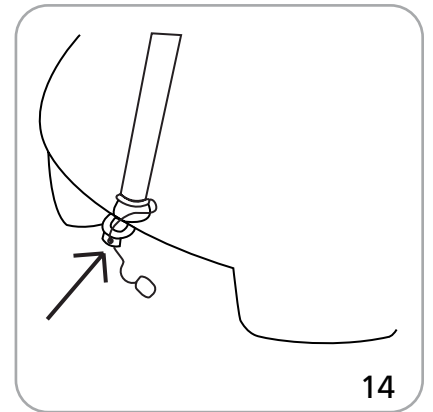
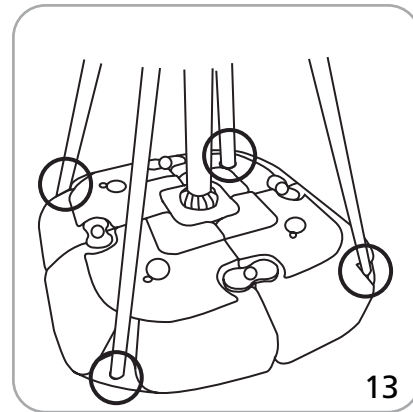
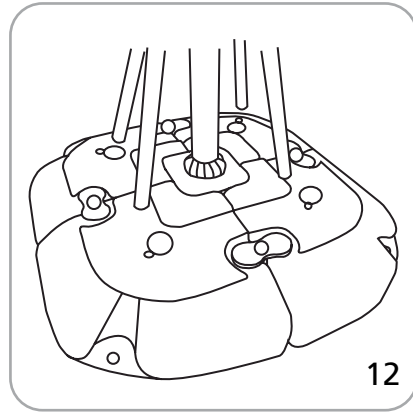
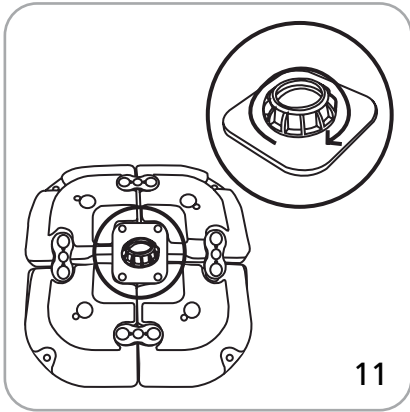
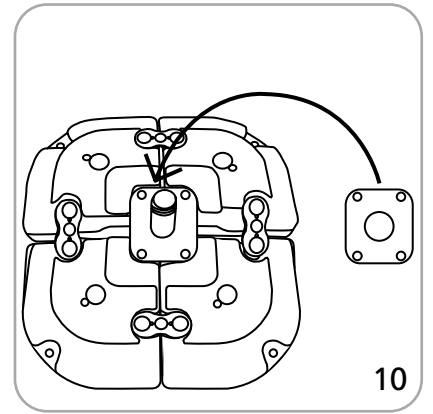
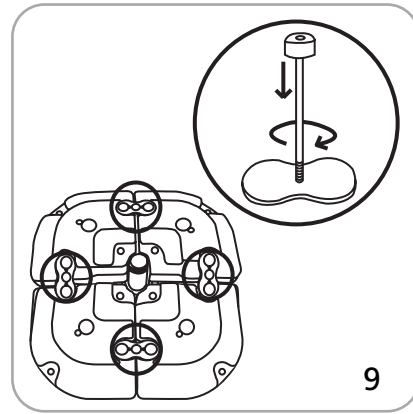
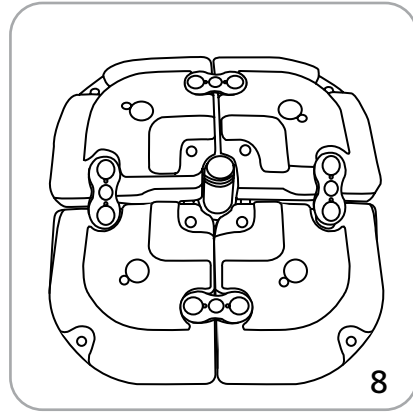
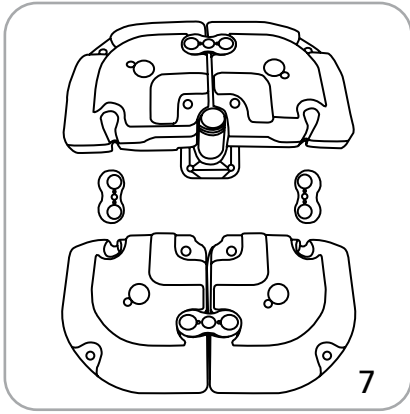


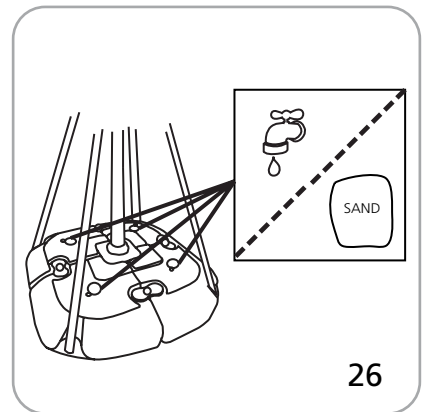
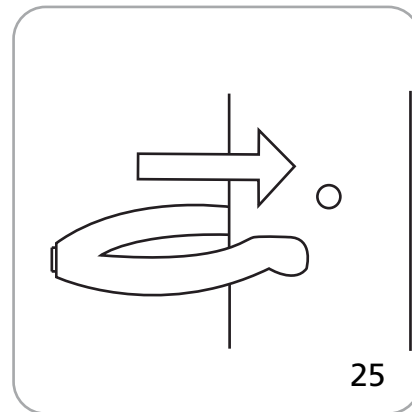
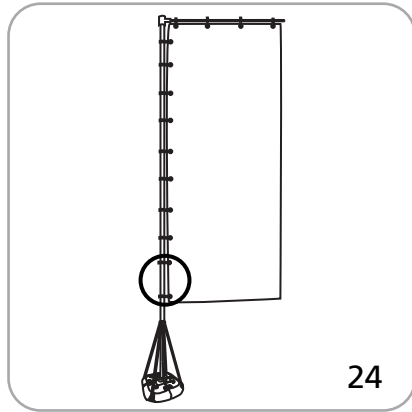
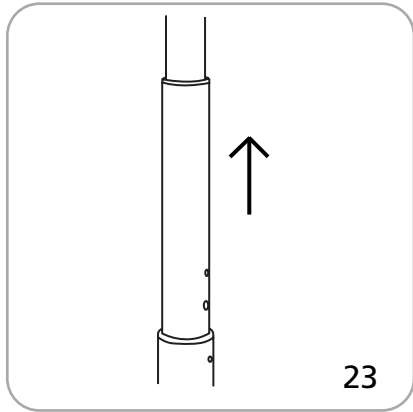
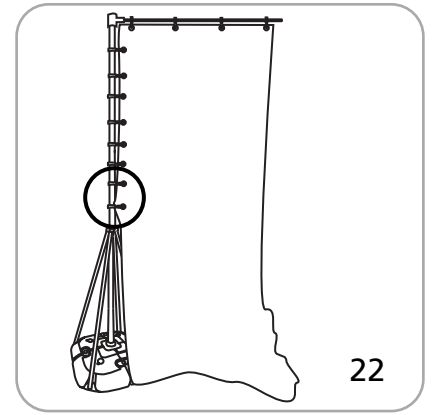
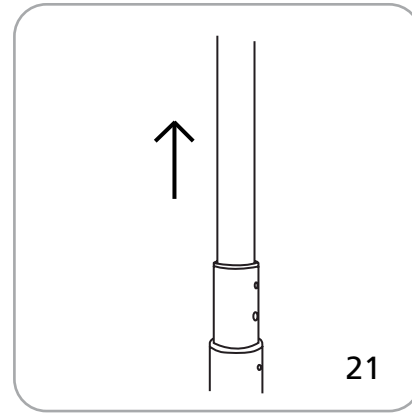
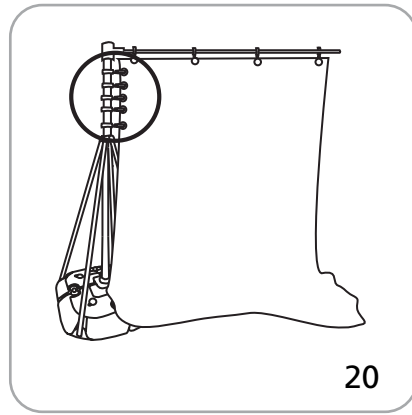
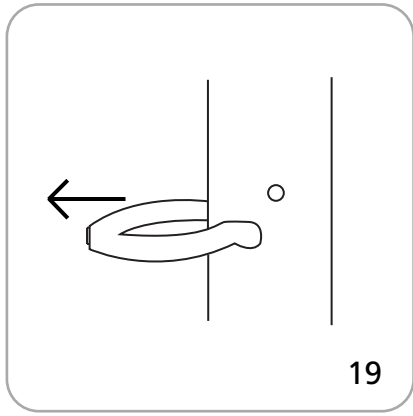
Wind Dancer Lanyard conversion



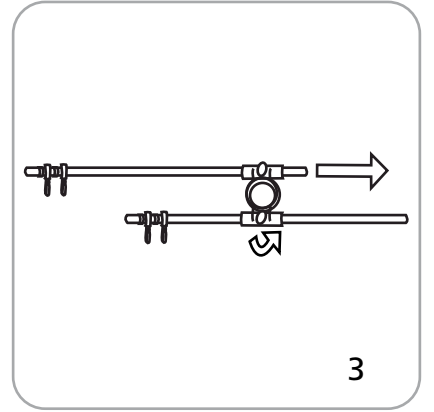
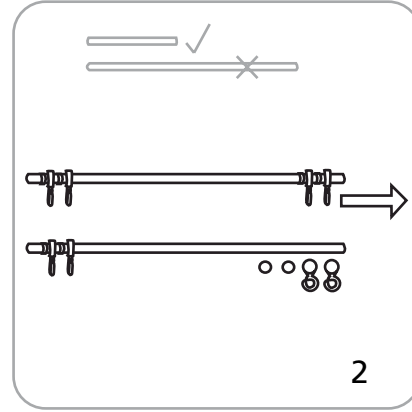
Wind Dancer assembly

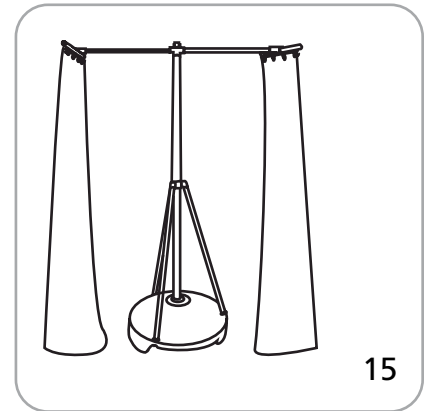
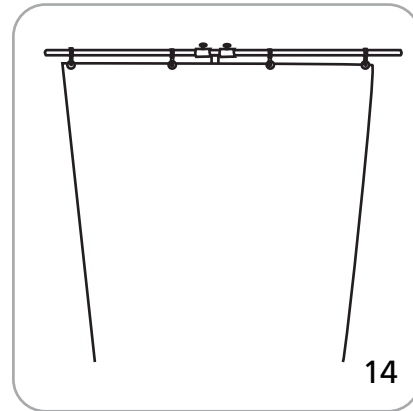
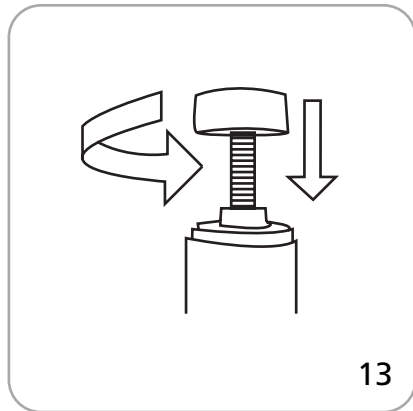
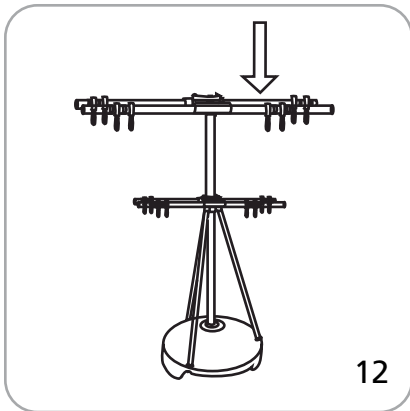
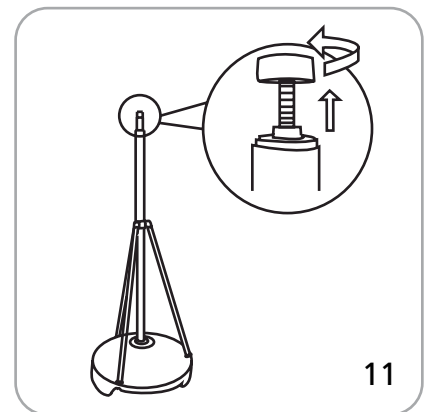
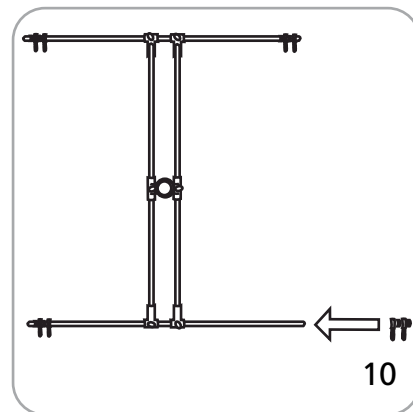
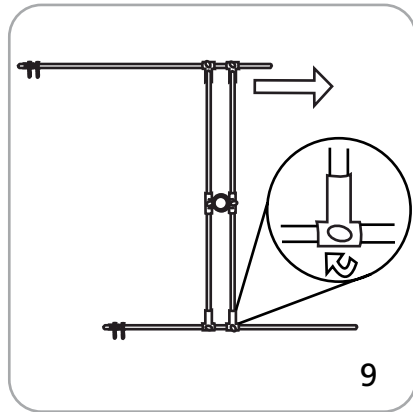
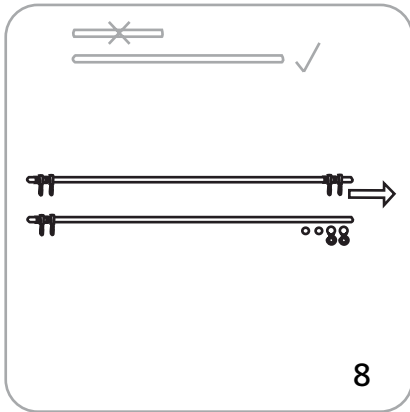
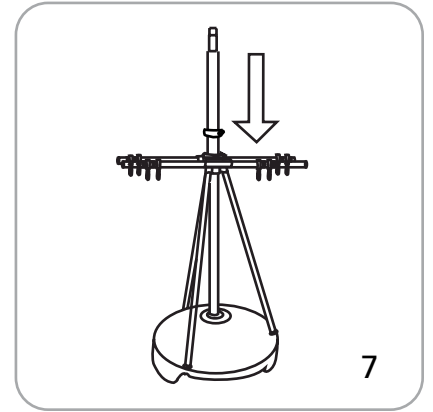
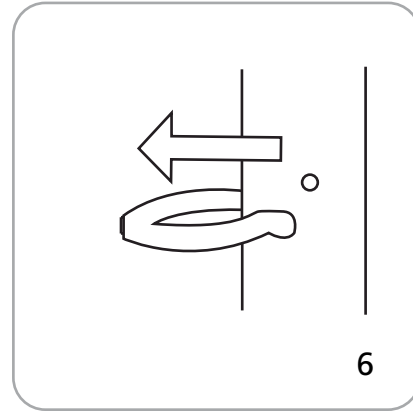
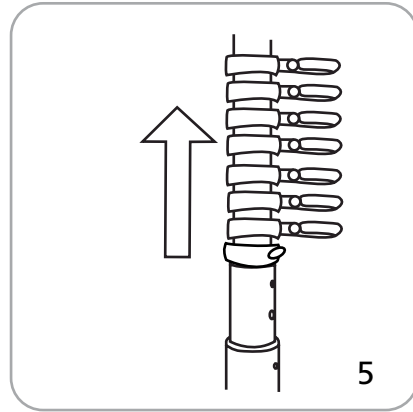
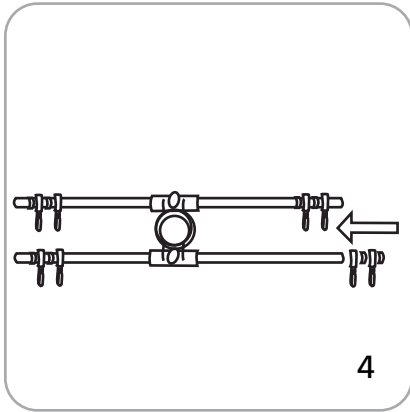






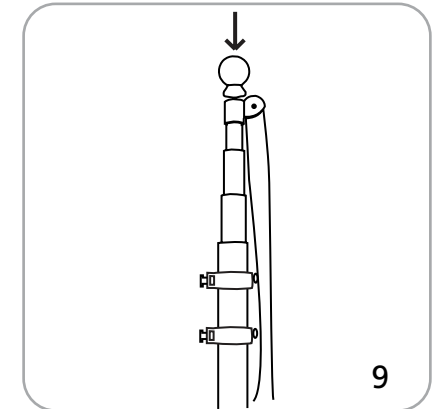
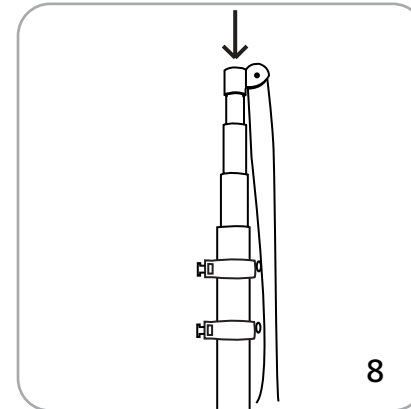
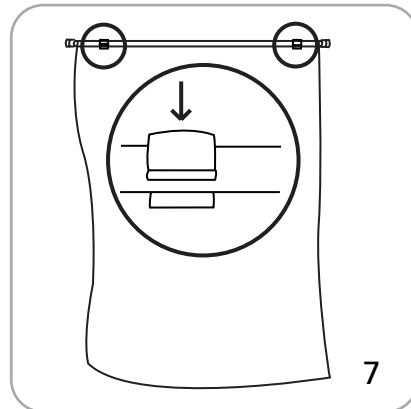
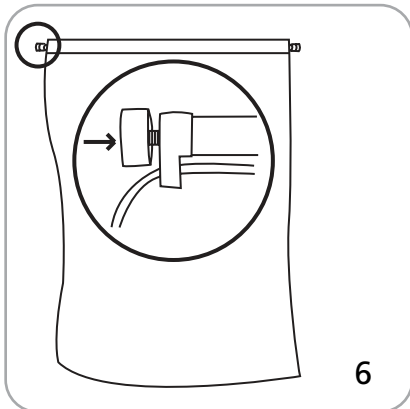
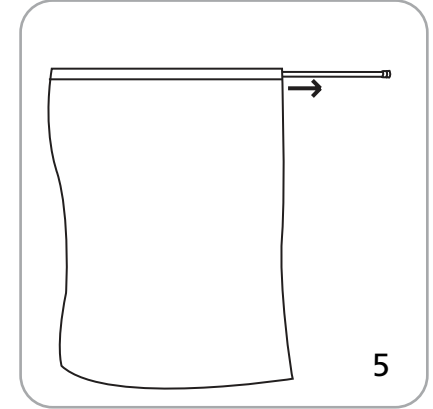
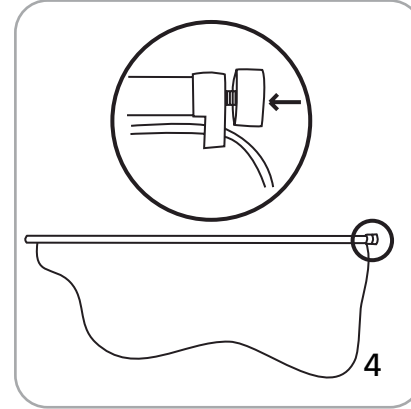
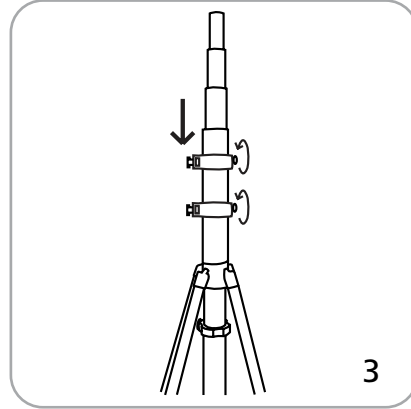
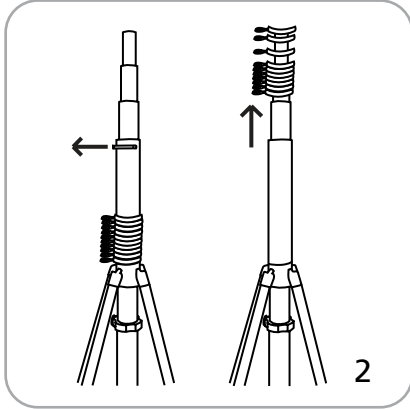
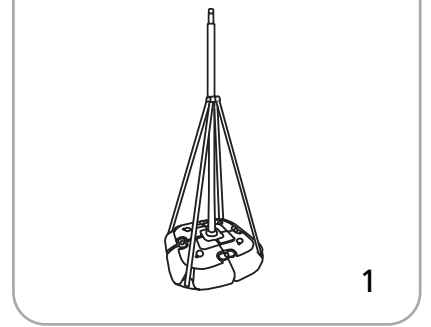
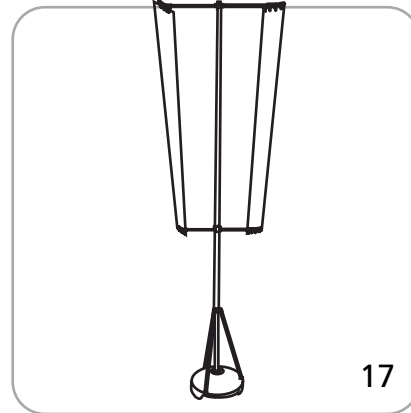
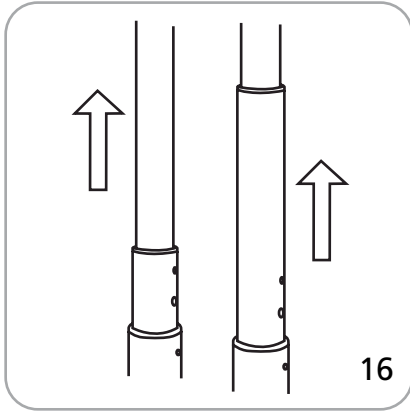
Spire Conversion assembly

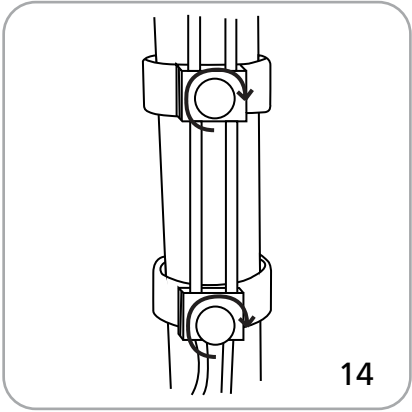
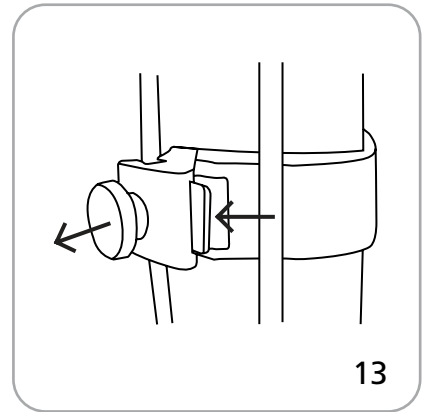
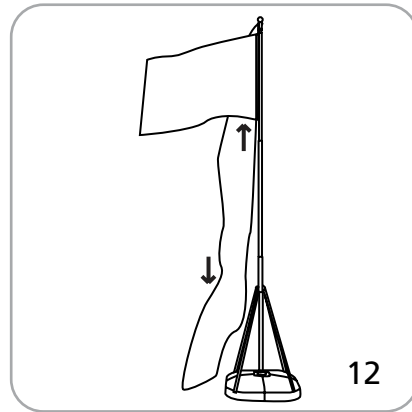
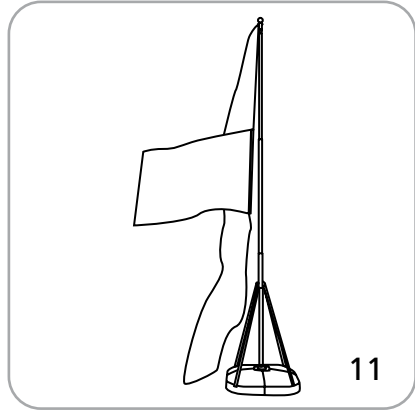
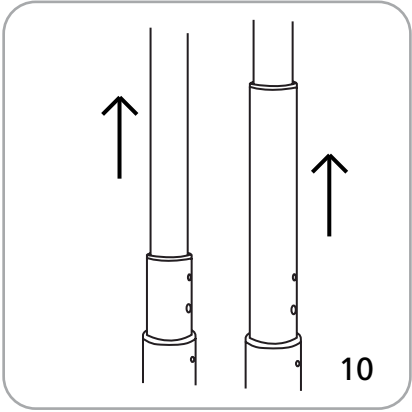




Lanyard Conversion assembly

Follow steps 1-14 of Wind Dancer assembly





Check out these related products:



Blast
-Five flag outdoor system



Blizzard
-Outdoor banner stand



Wind Dancer LT
-Mini version of the Wind Dancer



Zoom
-Three shapes and three sizes available



Spinnaker
-Adjustable outdoor A-frame system
