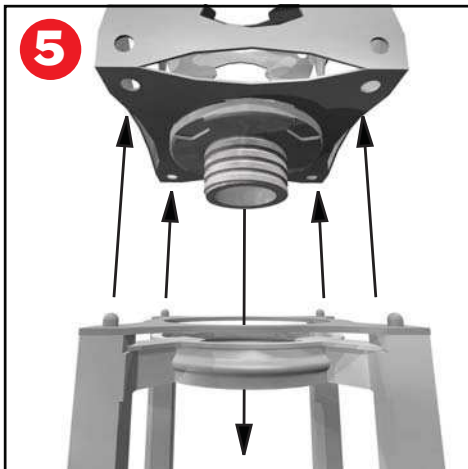
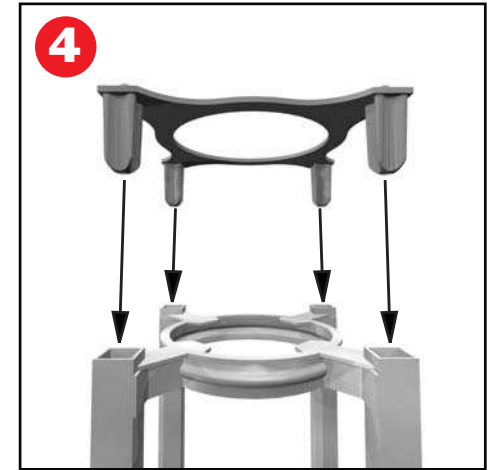
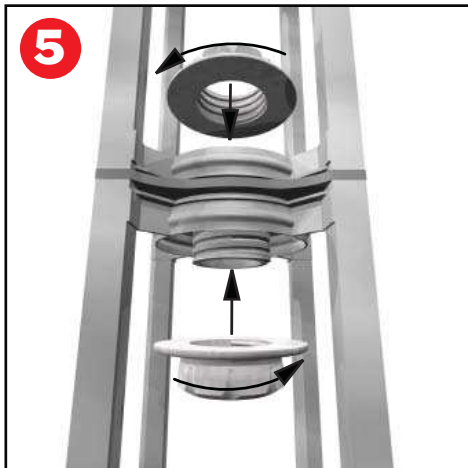
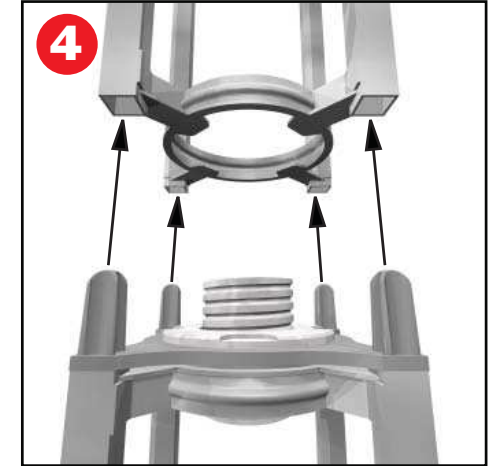
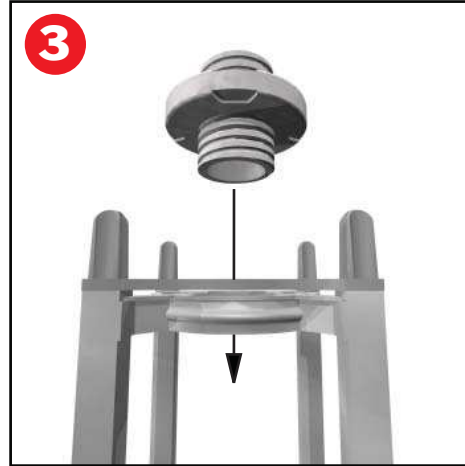
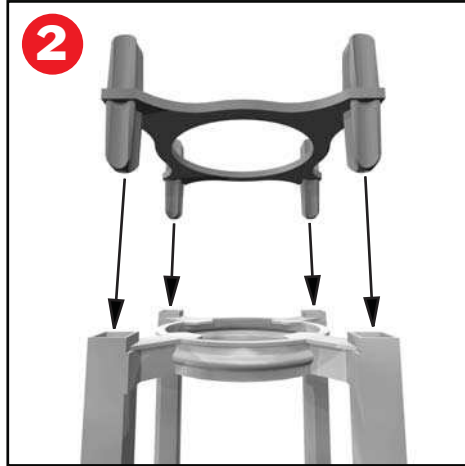


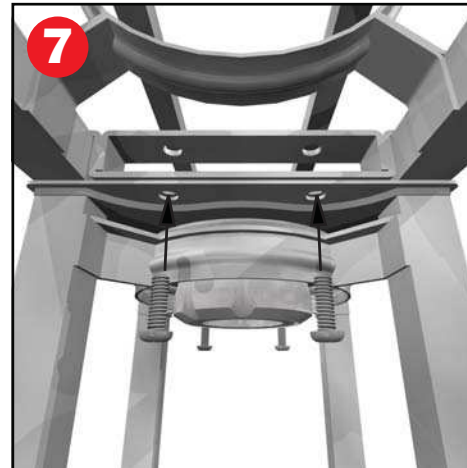
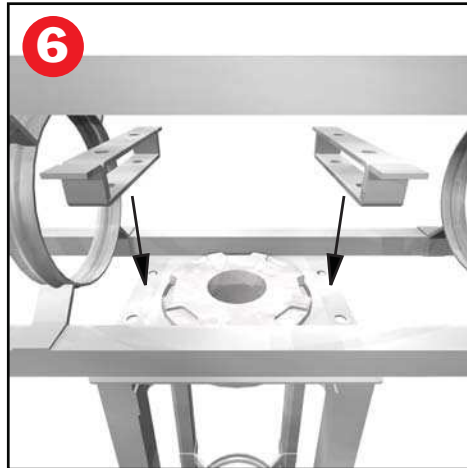
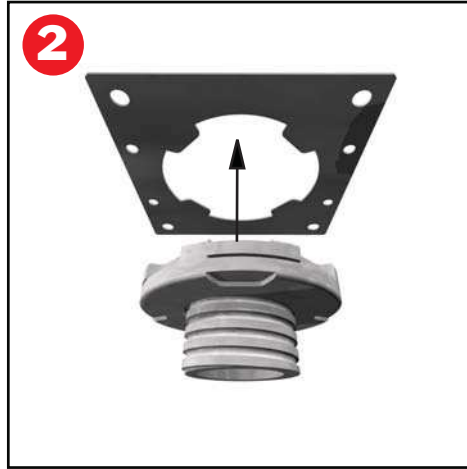
# Orbital Express Instructions: Truss To Junction Connection



# Orbital Express Instructions: Truss To Truss Connection



# Orbital Express Instructions: Universal Connector



# Orbital Express Instructions: Table Top Instructions



1



Unscrew black knob/bolt from the back of the table top.

2



Remove back plate from the unit.

3



Place back plate on the inside of the truss length in desired location. Back plate is magnetized for easy application.

4



Hold table top front plate parallel to back plate.

5



Finish by screwing the black knob/bolt back into place and tightening.



**Finished Tabletop**

# Orbital Express Instructions: Light Assembly Instructions



1



Unscrew clamp at bottom of light, wide enough to fit on truss length.

2



Place light in desired spot on truss and fasten to truss length.

3



Transformer should already be attached, if not simply plug cord into transformer (make sure transformer is not plugged in).

4



There is a roll switch in the middle of the cord to turn light on and off.

5



To remove light bulb, hold bulb from sides with fingertips and pull out. (WARNING: allow light to cool off before attempting to change bulb or pack away).

6



To replace light bulb, hold bulb from sides with fingertips. Line up the 2 metal prongs on the bulb with holes in socket and firmly push into place.




**Light Assembled**

# Orbital Express Instructions: Literature Rack Assembly Instructions




**1**



Loosen 1 screw holding the top back plate in place. Remove the other screw from the unit and let back plate hang down. Take same steps for the bottom back plate.

**2**




Place on desired sections of truss length. Swing the back plate to line-up the weld-nut and hole on literature rack plate. Please make sure truss is between the back plate and the literature plate.

**3**



Fasten the screw back on top literature rack plate and back plate, then tighten the loosened screw.

**4**



Repeat step 2 and 3 with the bottom plate.



**Literature Rack Assembled**

# Orbital Express Instructions: Internal Shelf Assembly Instructions

