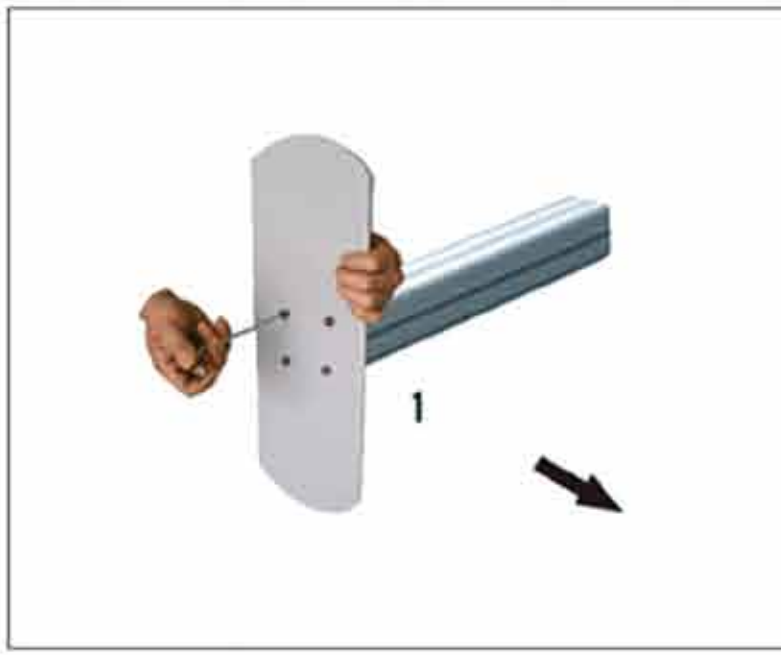


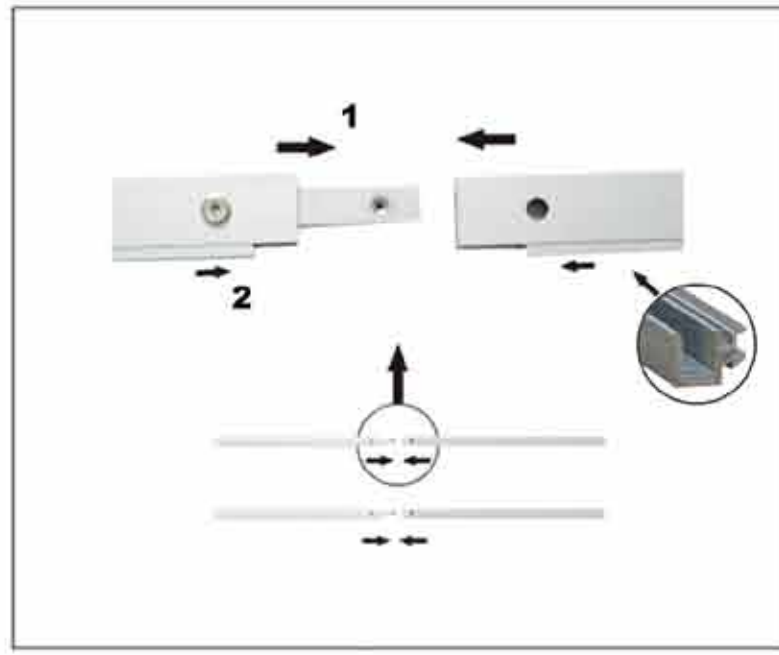
TAHOE 10FT D

QUICK SETUP INSTRUCTIONS



SETUP1

Install both bottom half pole with threads to feet.



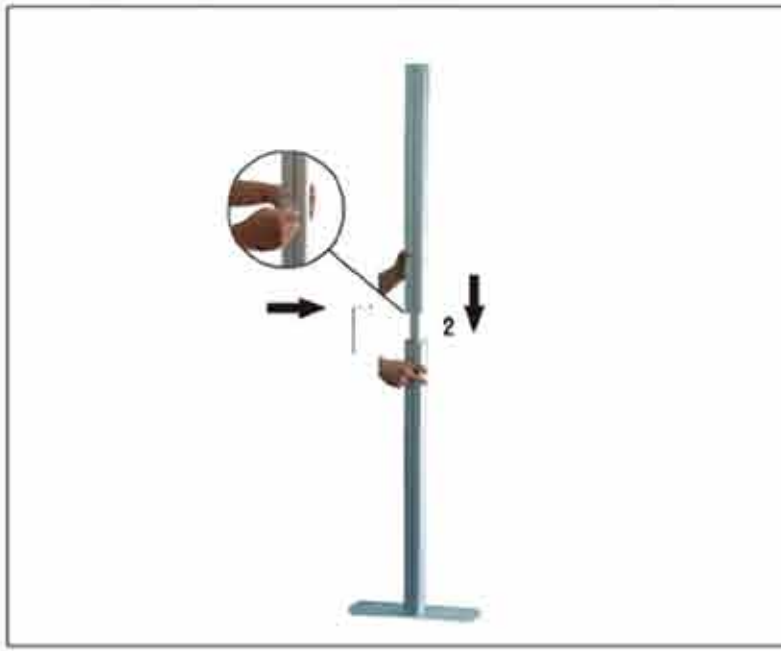
SETUP2

Connect flat bars together.



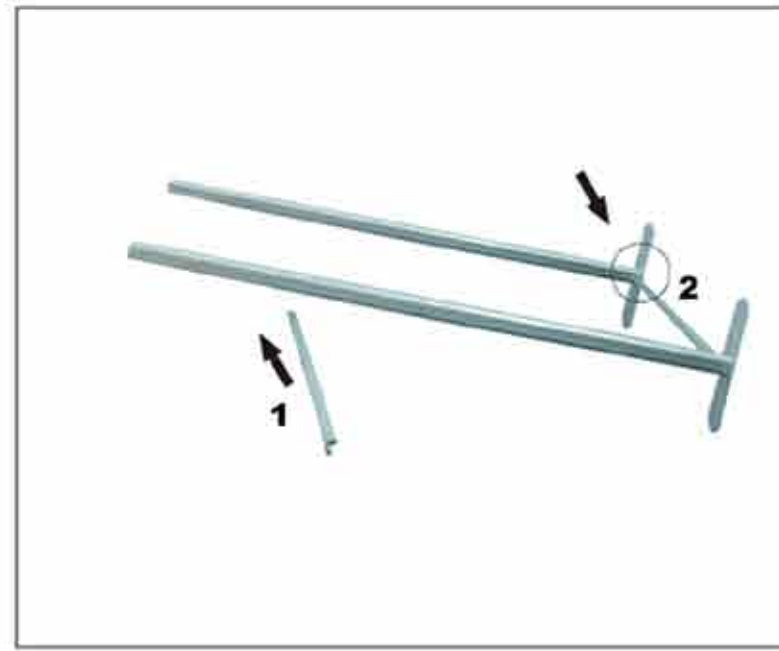
SETUP3

Lock the bottom flat bars onto bottom half poles.



SETUP4

Install top half pole without threads to bottom half pole. Do the same with other side.



SETUP5

Insert acrylic panel screws to top flat bar.



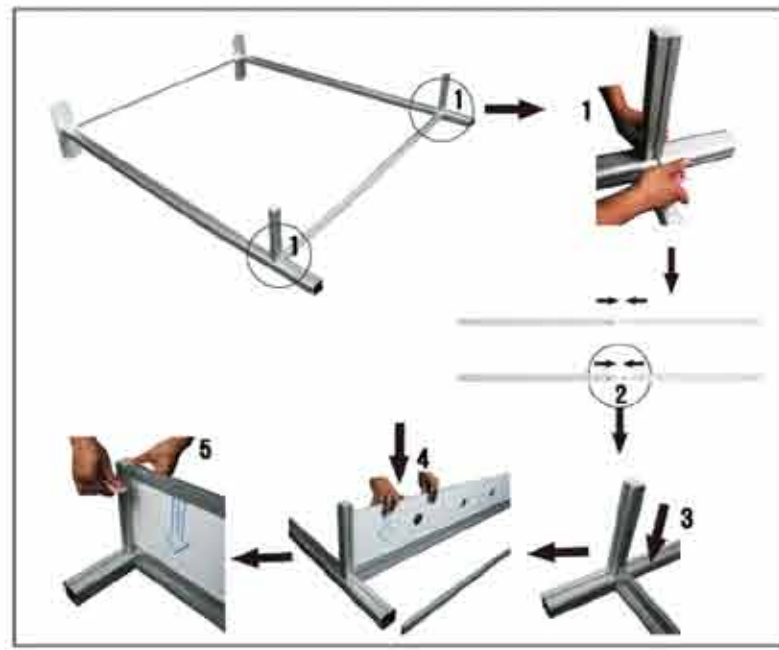
SETUP6

Lock top flat bars onto top half poles. Insert bracket holders and attachment bracket to main poles. Insert acrylic panel screws to main poles. Finish the main profile. Insert top extension poles to top main pole.



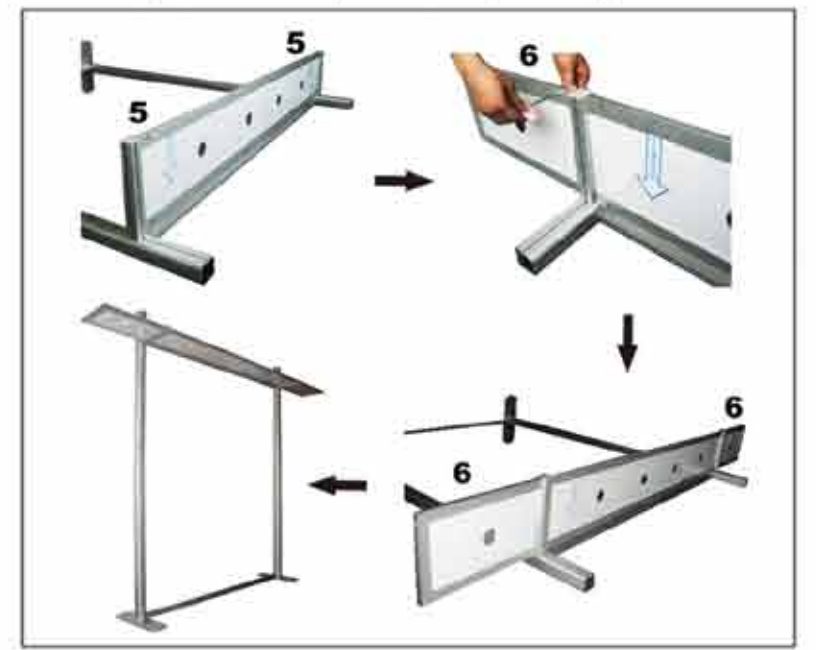
SETUP7

Slide in the acrylic table bracket from top of the left vertical pole and 3 brackets of the acrylic shelves from the top of the right vertical pole.



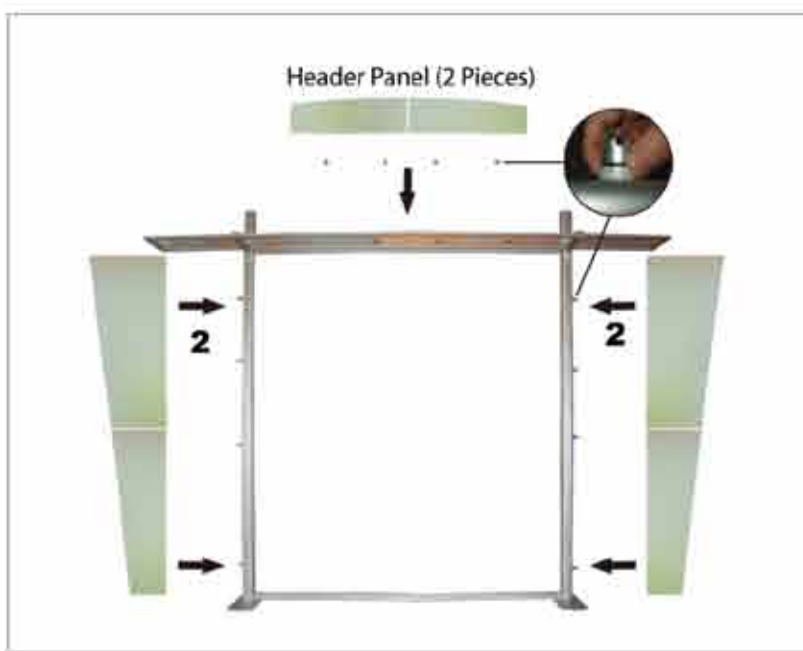
SETUP8

Roof: Lock both roof support profiles onto top half poles. (make sure not to lock onto top extension poles.) Connect large connector flat bars together making two. Insert and lock first large connector flat bar to roof support profiles. Insert both large double light boards and then insert and lock final large connector flat bar to roof support profiles.



SETUP9

Insert and lock completed roof ends which contain medium and small connector flat bar already assemble with single light boards.



SETUP10

Insert acrylic panels.



SETUP11

Insert printing fabric.
Place extension caps on top of top extension poles



SETUP12

Attach the acrylic shelves and acrylic table to bracket holders inserted at the SETUP7.
Install the 6 lights with lamp holders.



SETUP13

optional
Connect profile and table accessories then connect them to vertical pole.

