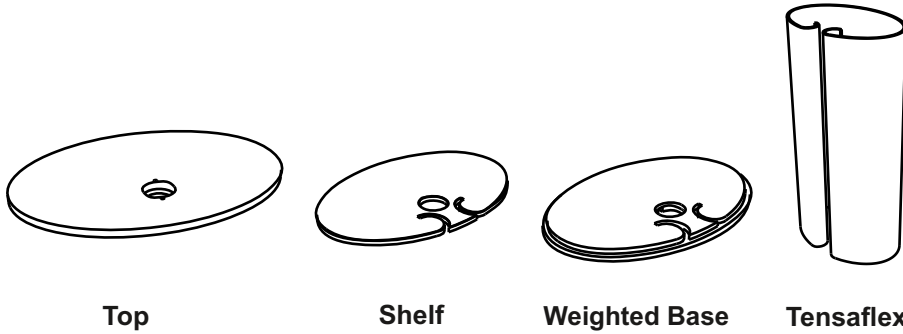


SOLO IPAD INSTRUCTIONS

1/2012

SOLO PARTS

ACCESSORIES



Top

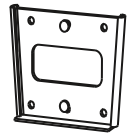
Shelf

Weighted Base

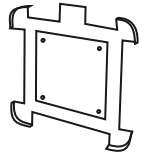
Tensaflex



Accessories support

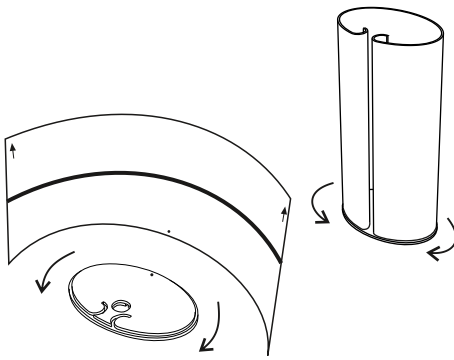


support



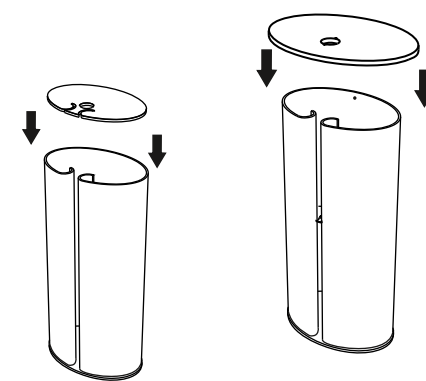
Ipad support

ASSEMBLY



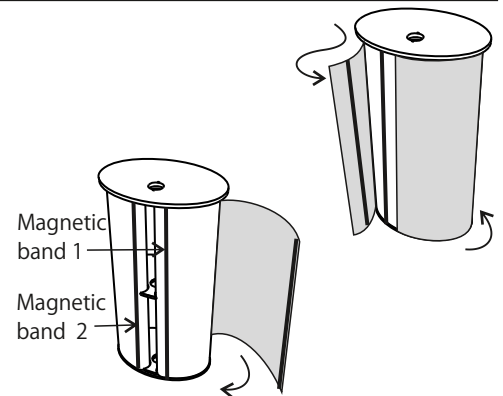
Step 1

Place the base at the site of display. Unwind the tensaflex and stretch out. Place the tensaflex along the reference dots, with arrows pointing up.



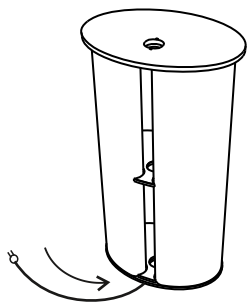
Step 2

Set the shelf in the corresponding place indicated by the hook and loop (take reference points into account). Place top and press the two hook and loop faces together. Make sure that each of the elements is in perfect position.



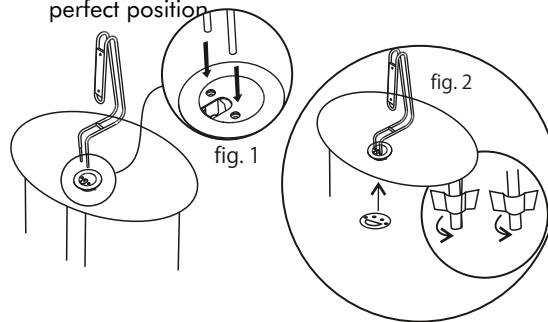
Step 3. GRAPHIC

Place the photography revolving around the SOLO tensaflex. Attach the sheet to the magnetic band 1. Finish up by safely attaching the magnetic band 2 to the other end.



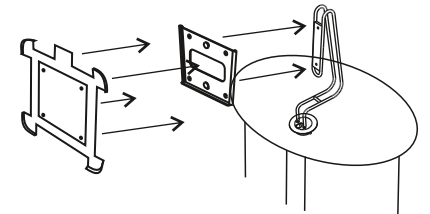
Step 4. WIRES

Organize the wires before attaching any accessory. Pass them through the holes from the base to the top. Cables must be placed below the base slot.



Step 5. ACCESSORIES

Insert the accessory support inside the closures as shown above. Use the butterfly nuts inside to screw the support to the base as shown in figure 2.



Step 6. IPAD SUPPORT

Screw the iPad support as shown in the figure.