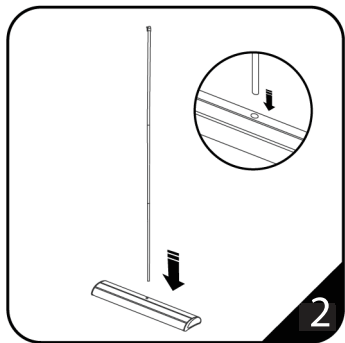
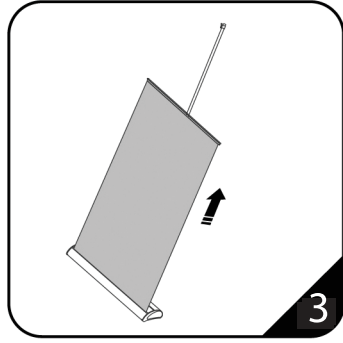


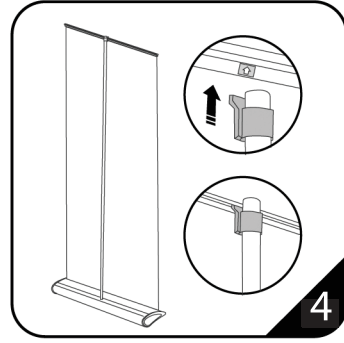
1 .Unfold the pole and slip the pieces together to assemble it to a rigid pole (the hooked end corresponds to the top and the round end belongs to the bottom base).



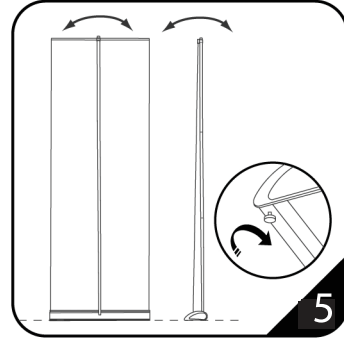
2 .The bottom of the assembled pole slides into the round socket in the centre of the base unit.



3 .Unfurl the banner out of the base by tilting the unit backwards (this makes unraveling the graphic easier).



4 .The hook at the top of the pole slips into the rear slot of the banner beam. A marker on the beam indicates the beam's centre where the pole should be inserted.



5 .The unit can be levelled by adjusting the threaded feet at the bottom of the base unit.