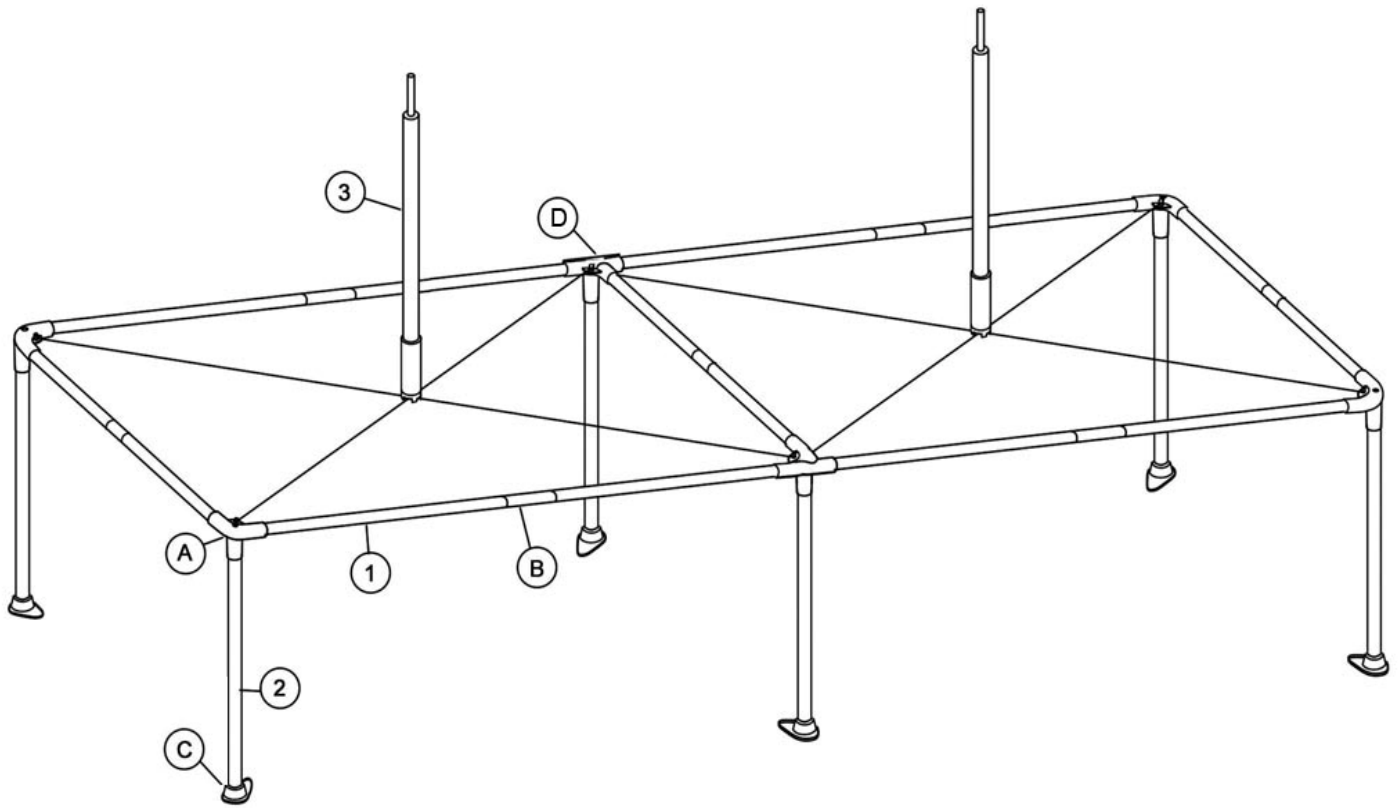
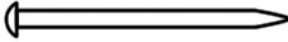
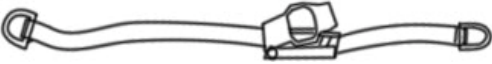
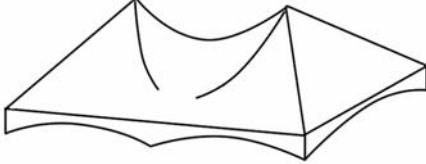
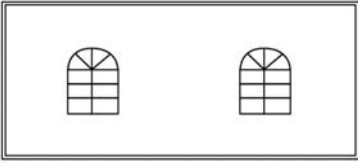
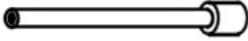


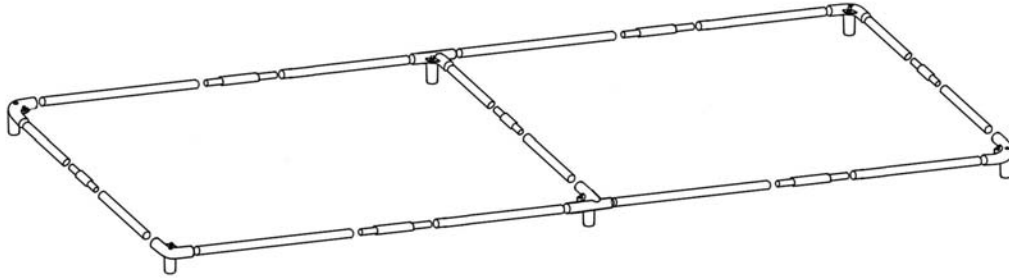
20'x30' Marquee Tent Instruction



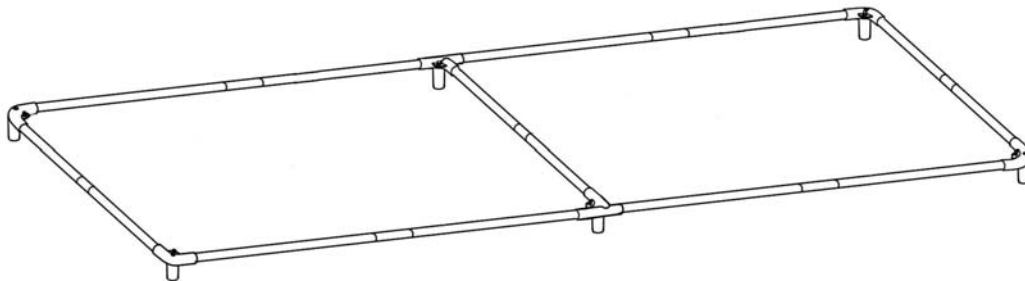
Part No.	Description	Picture	Quantity
1	Eave Pole		14
2	Leg Pole		6
3	Center Pole		2
A	Corner Joint		4
B	Sleeve		7
C	Foot pad		6
D	Center Joint		2
	Cross Cable		4
	Ratchet Rope		6

	Peg		10
	Ratchet Stape		4
	Roof		1
	Sidewall		
	Flag Pole		2

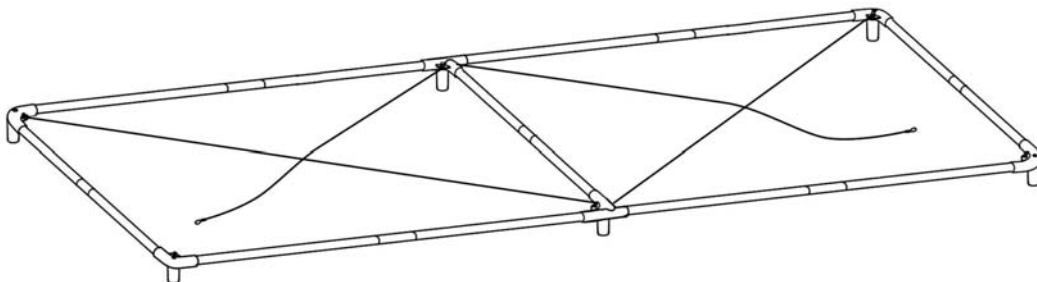
I: Lay all the parts on the ground as shown.



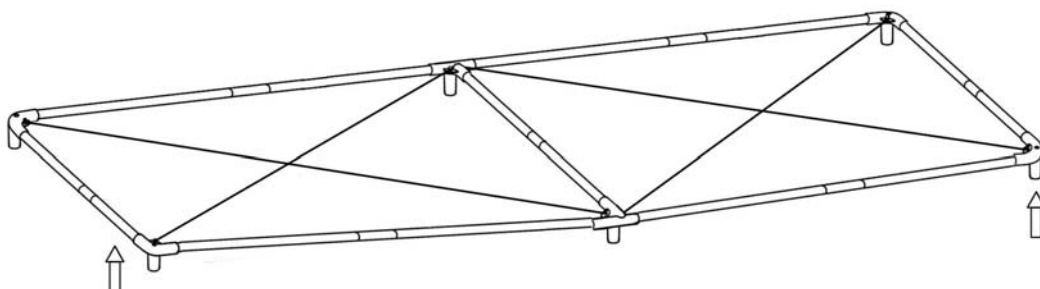
II: Put all the joints and poles together.



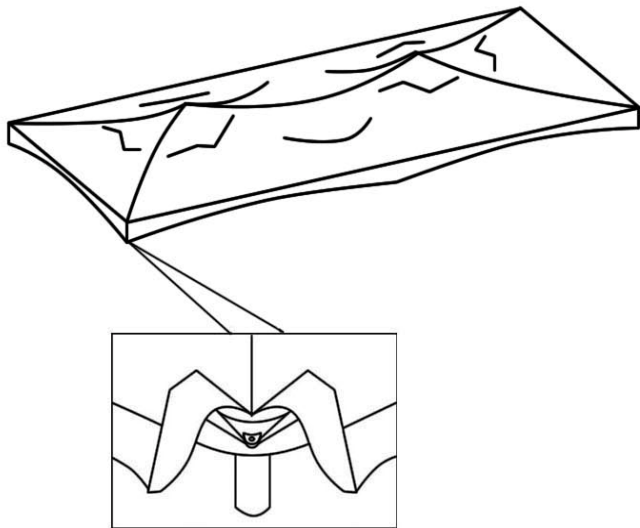
III: Install one cross cable.



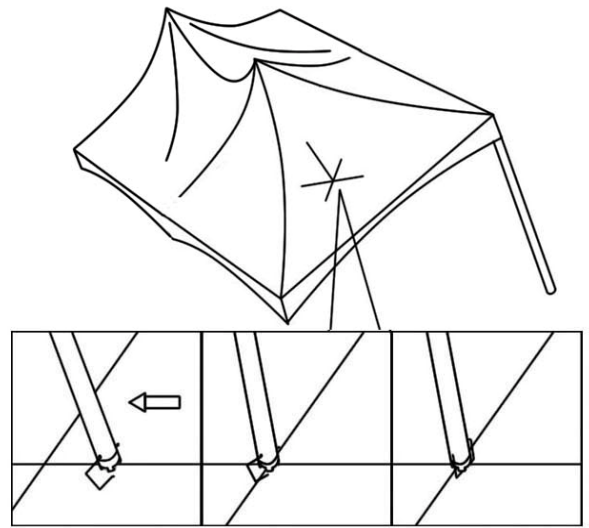
IV: Lift the one corner and suspend another cable.



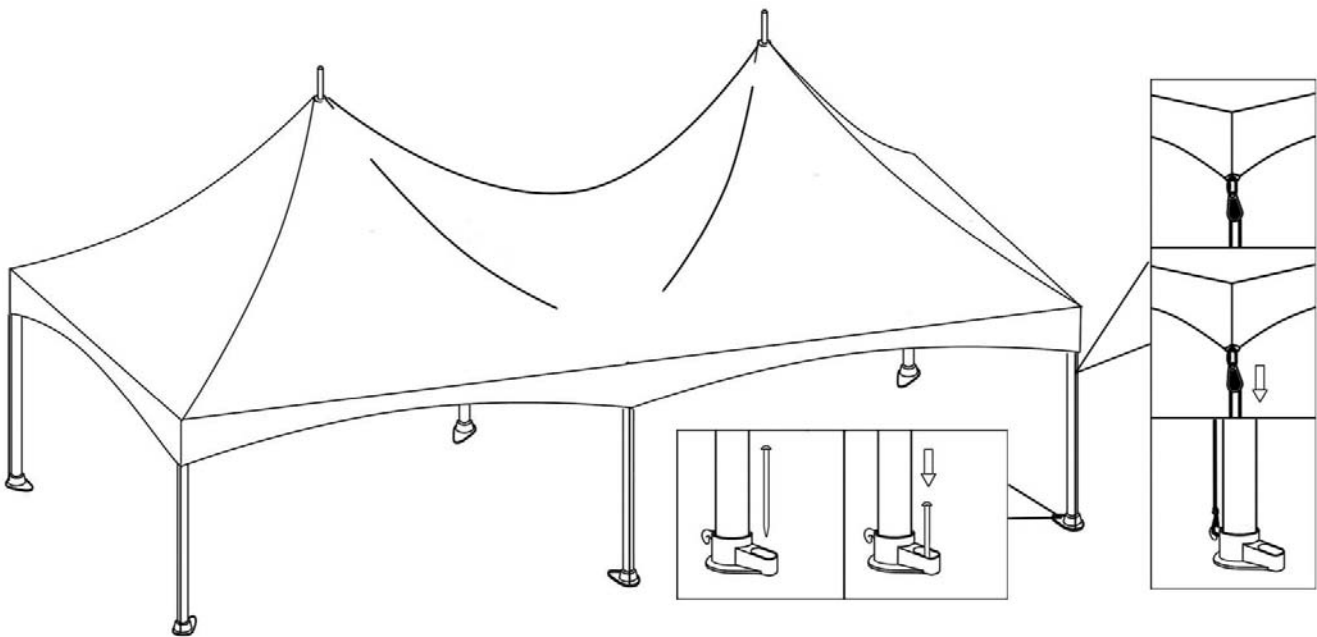
V: Assembly the roof cover, pull the corner with handle.



VI: Push the center pole upright.



VII: Insert all the legs to make the tent stand up, and then fasten the ratchet ropes.



Note: use pegs to fix the tent on the ground

VIII: Hung up all the sidewalls and use the ratchet straps make the tent more stable.

