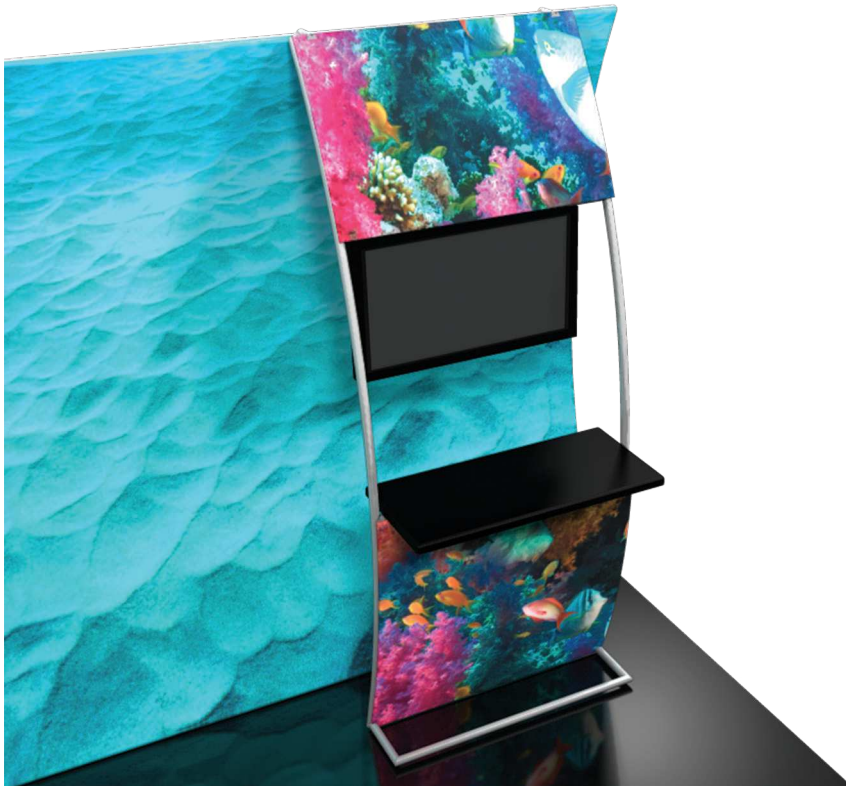


Formulate Accent - 04

FMLT-WL04

Formulate™ accents enhance the functionality of any 10ft or 20ft backwall and add more real estate for messaging too! With monitor supports, literature pockets, shelves, tables, counters and more, you are sure to find the accent that best suits your needs. Side tables and graphic headers also available.



We are continually improving and modifying our product range and reserve the right to vary the specifications without prior notice. All dimensions and weights quoted are approximate and we accept no responsibility for variance. E&OE. See Graphic Templates for graphic bleed specifications.

features and benefits:

- State-of-the-art brushed 30mm aluminum tube frame with expanding spigot connection
- Features a 34" wide counter available in four laminate color options
- Hardware mounts for a medium sized monitor, max 36"/ 40 lbs
- Kit includes: one frame, top and bottom velcro applied printed fabric graphics, monitor mount, counter, and one wheeled molded OCH2 storage case
- Lifetime hardware warranty against manufacturer defects

dimensions:

Hardware	Graphic
<p>Assembled unit: 37.4"w x 92.4"h x 29.4"d 950mm(w) x 2347mm(h) x 747mm(d)</p> <p>Counter dimensions: 34.685"l x 16.6"w</p> <p>Approximate weight (includes graphics): 28 lbs / 12.7 kg</p>	<p>Total visual area: Top: 37.4"w x 24.5"h Bottom: 37.4"w x 38.2"h</p> <p>Please be sure to include 2" bleed around the perimeter.</p> <p>Refer to related graphic template for more information.</p>
Shipping	
<p>Shipping dimensions: One OCH2 case: 52"l x 30"w x 15"h</p> <p>Approximate shipping weight (with case): 58 lbs / 26.3 kg</p>	

additional information:

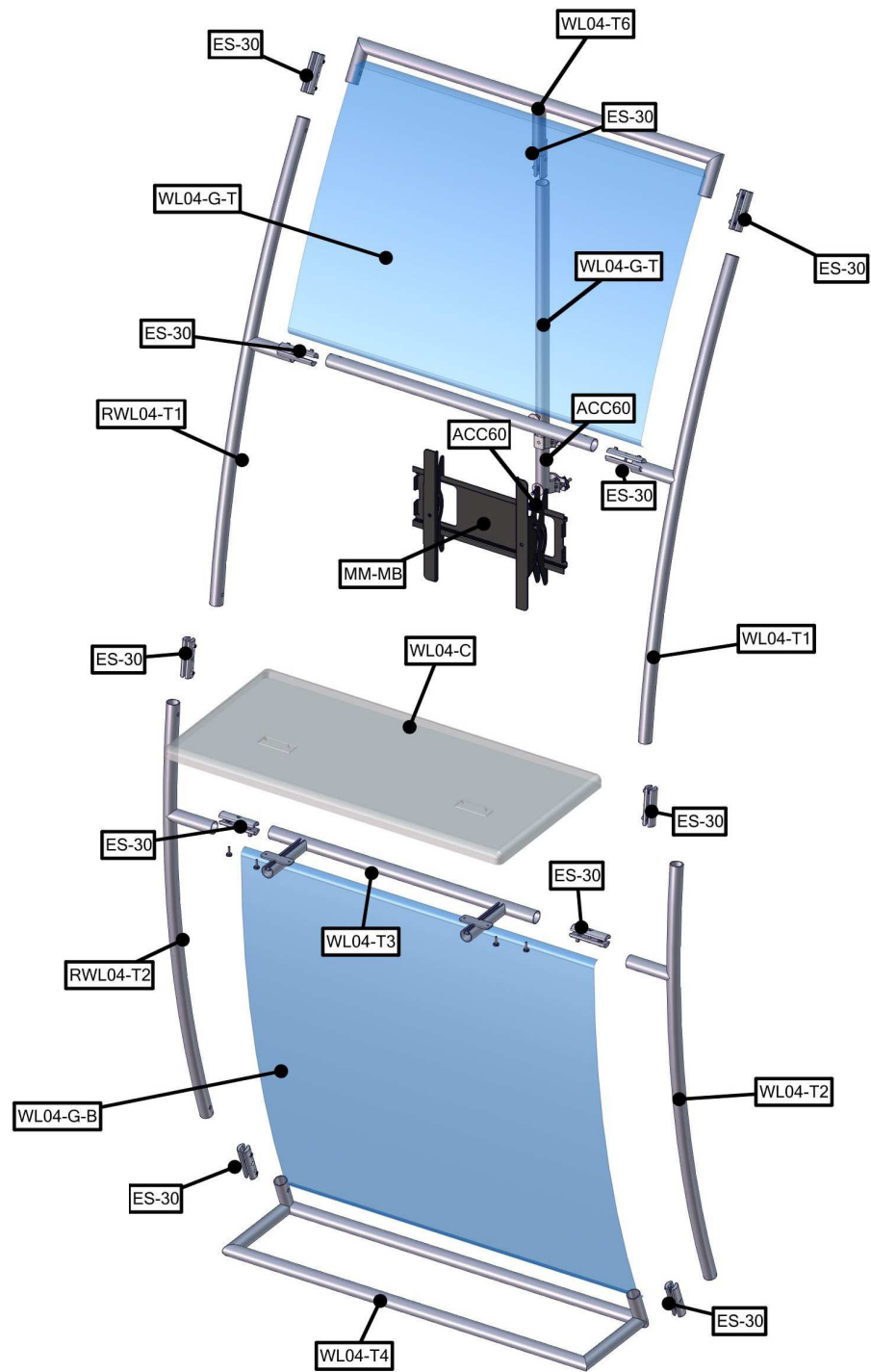
Graphic material: dye-sublimated fabric
Counter holds max 25 lbs / 11.3 kg
Monitor mount: max T.V. size is 36"/ 40 lbs
*Kit does not include monitor

Table colors:



silver black mahogany natural

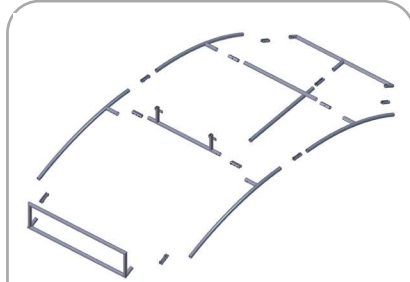
Parts Included		
Part Label	Qty	Part Code
30MM TUBE CLAMP	x2	ACC60
EXPANDING SPIGOT FOR 30MM TUBE	x11	ES-30
FABRIC GRAPHIC BOTTOM	x1	WL04-G-B
FABRIC GRAPHIC TOP	x1	WL04-G-T
MEDIUM MONITOR BRACKET	x1	MM-MB
881MM X 422MM X 30MM COUNTER	x1	WL04-C
30MM CURVED TUBE TOP RIGHT SIDE	x1	RWL04-T1
30MM CURVED TUBE RIGHT SIDE	x1	WRL04-T2
30MM CURVED TUBE LEFT SIDE	x1	WL04-T1
30MM CURVED TUBE LEFT SIDE	x1	WL04-T2
30MM SPREADER TUBE WITH COUNTER SUPPORTS	x1	WL04-T3
30MM BASE TUBE SECTION	x1	WL04-T4
30MM TOP END SECTION	x1	WL04-T6



STEP 1: ASSEMBLE FRAME

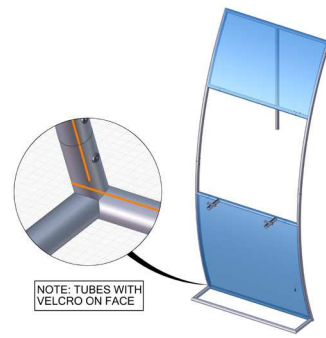


Slide jointer into tubing so hex screw sits in the hole on tubing. Tighten hex screw so the jointer separates & tightens against the inside of the tubing, locking the jointer and tubing together.



Connect bottom and top tubes following the labels, then connect side tubes. Note tubes with velcro on face.

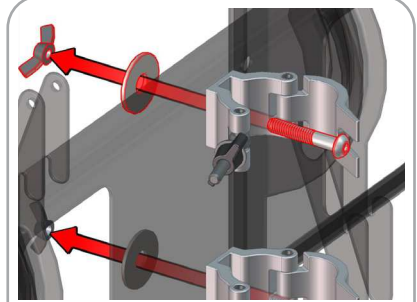
STEP 2: ATTACH GRAPHICS



NOTE: TUBES WITH VELCRO ON FACE

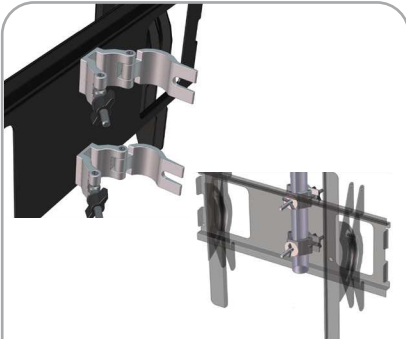
Apply top & bottom fabric graphics to velcro on front of tubing.

STEP 3: INSTALL MONITOR MOUNT

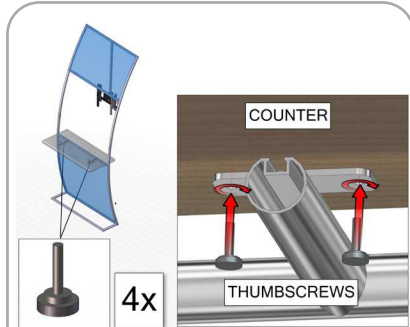


Attach ACC60 clamps to monitor mount with a bolt and washer, tighten with wingnut.

STEP 4: ATTACH COUNTER TO ACCENT FRAME

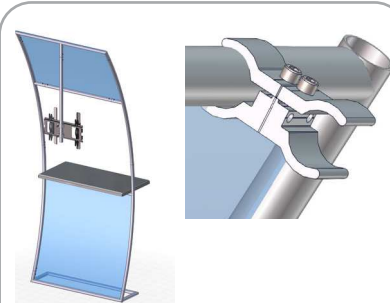


Secure ACC60 clamps around accent tube hardware.

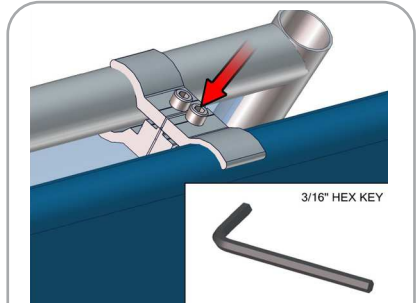


Use thumbscrews to attach counter to hardware.

STEP 5: ATTACH TO BACKWALL WITH CLAMPS

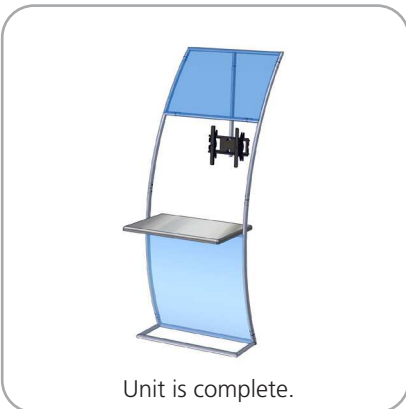


Position accent in front of backwall in desired location. Secure tube clamp at top of frame.



3/16" HEX KEY

Using provided 3/16" hex key, rotate bolt clockwise to secure accent to top of fabric backwall.



Unit is complete.