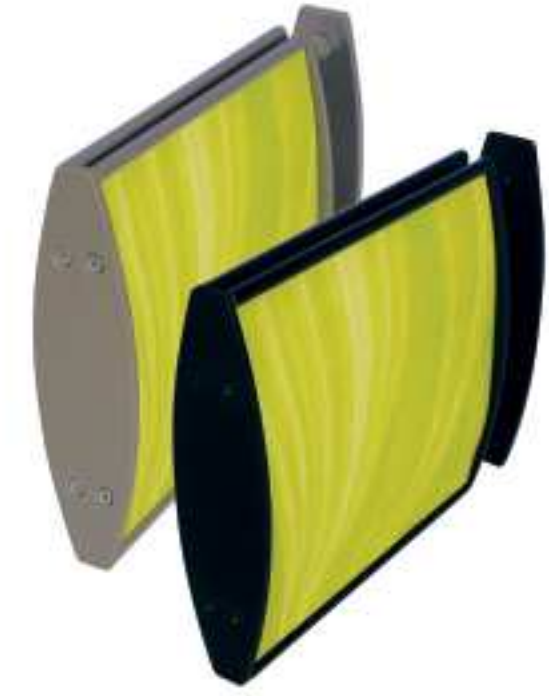


PJL Series | Top-to-bottom Curve

left & right end caps

- double-sided curved projecting frames, in landscape or portrait positions
- high quality curved aluminum body, available in anodized silver or powder-coated black finish
- your choice of black or grey impact-modified plastic end caps
- comes standard with clear non-glare lens, unless otherwise specified
- comes fully assembled
- custom lengths available



graphic dimension | frame dimension

100	<p>PJL1</p>	<p>PJL2</p>	<p>PJL3</p>	<p>PJL31</p>
150	<p>PJL4</p>	<p>PJL5</p>	<p>PJL6</p>	<p>PJL61</p>
200	<p>PJL7</p>	<p>PJL8</p>	<p>PJL9</p>	
LETTER	<p>PJL10</p>	<p>PJL11</p>	<p>PJL12</p>	
11	<p>PJL13</p>	<p>PJL14</p>	<p>PJL15</p>	

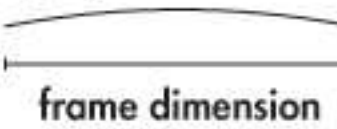
All length measurements apply to the extrusion only and exclude the end caps.

PJP Series | Left-to-right Curve

top & bottom end caps



graphic dimension

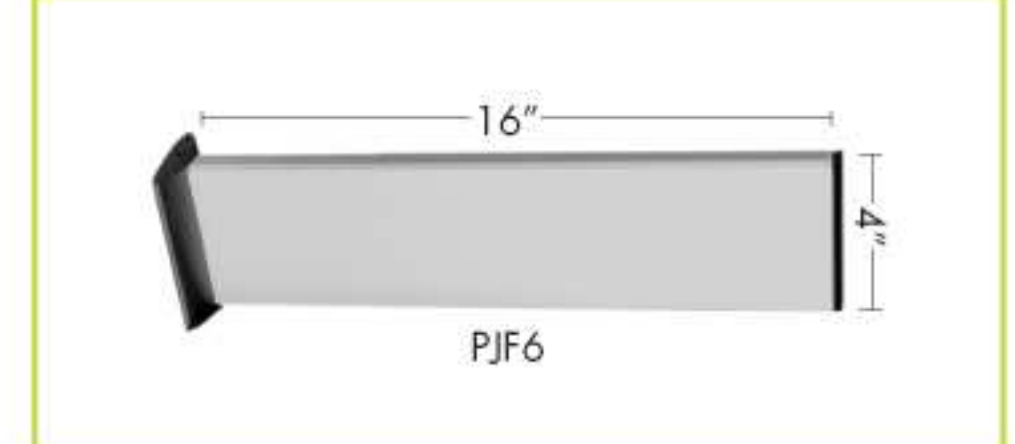
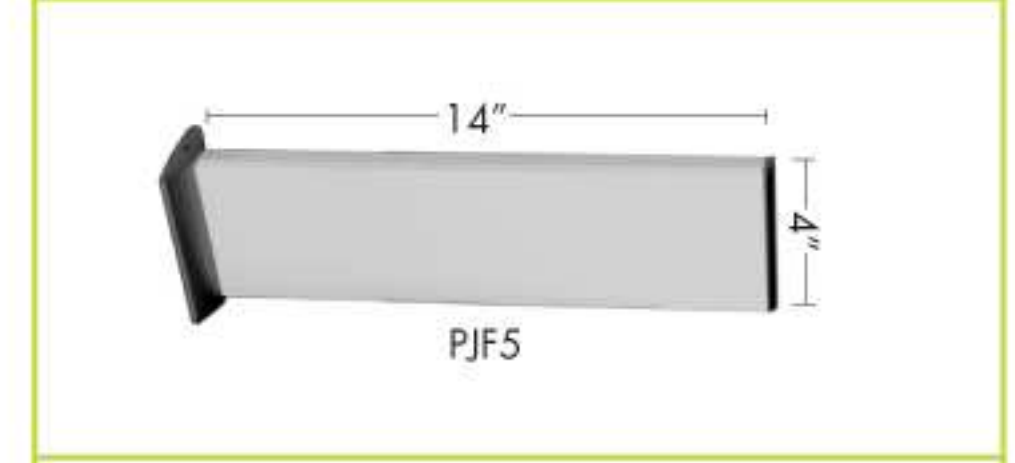
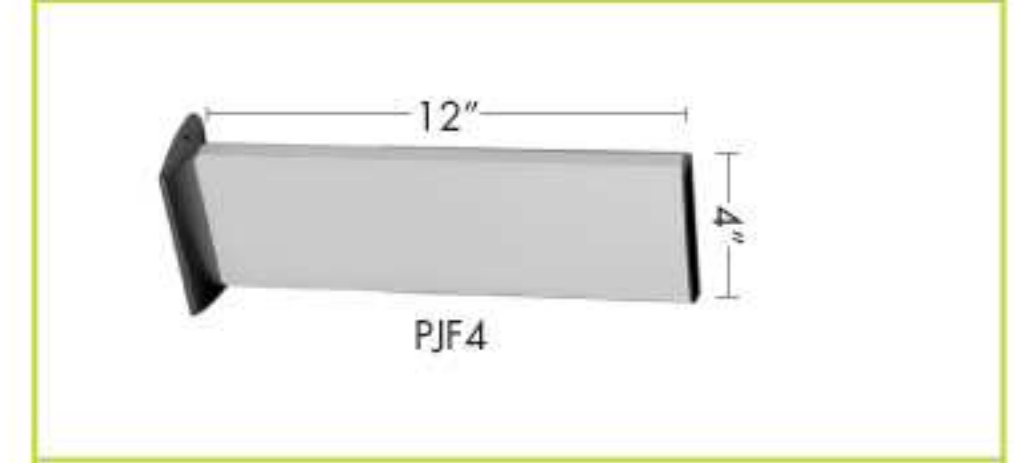
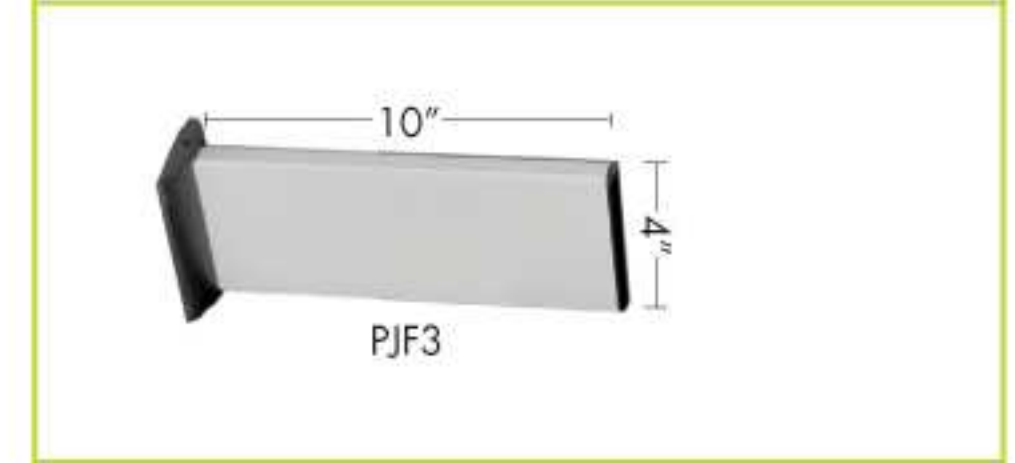
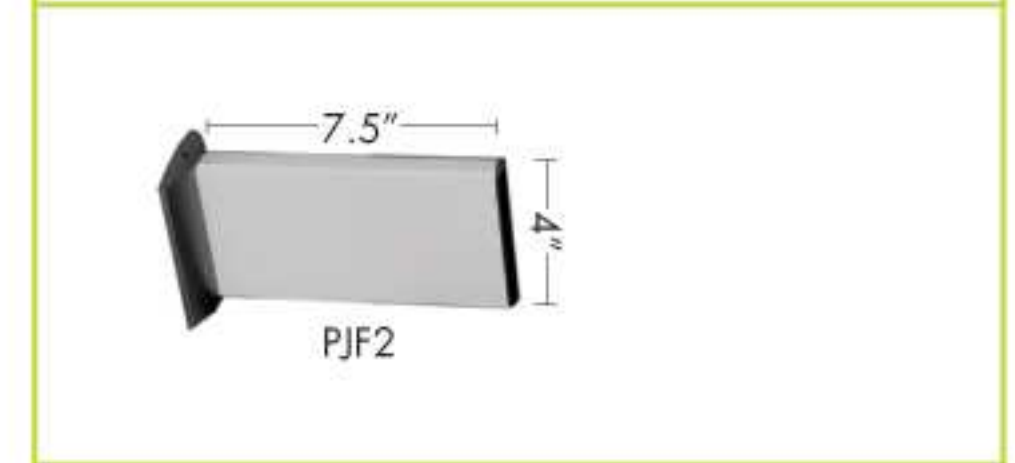
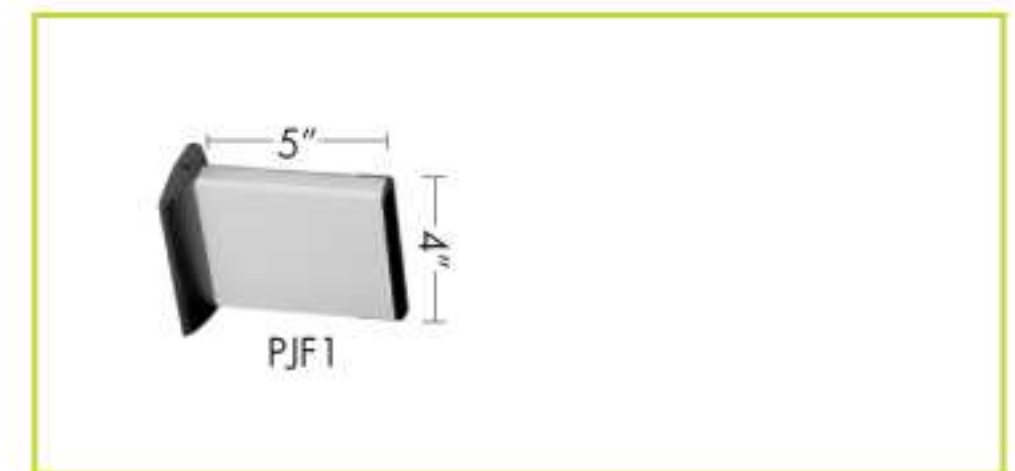
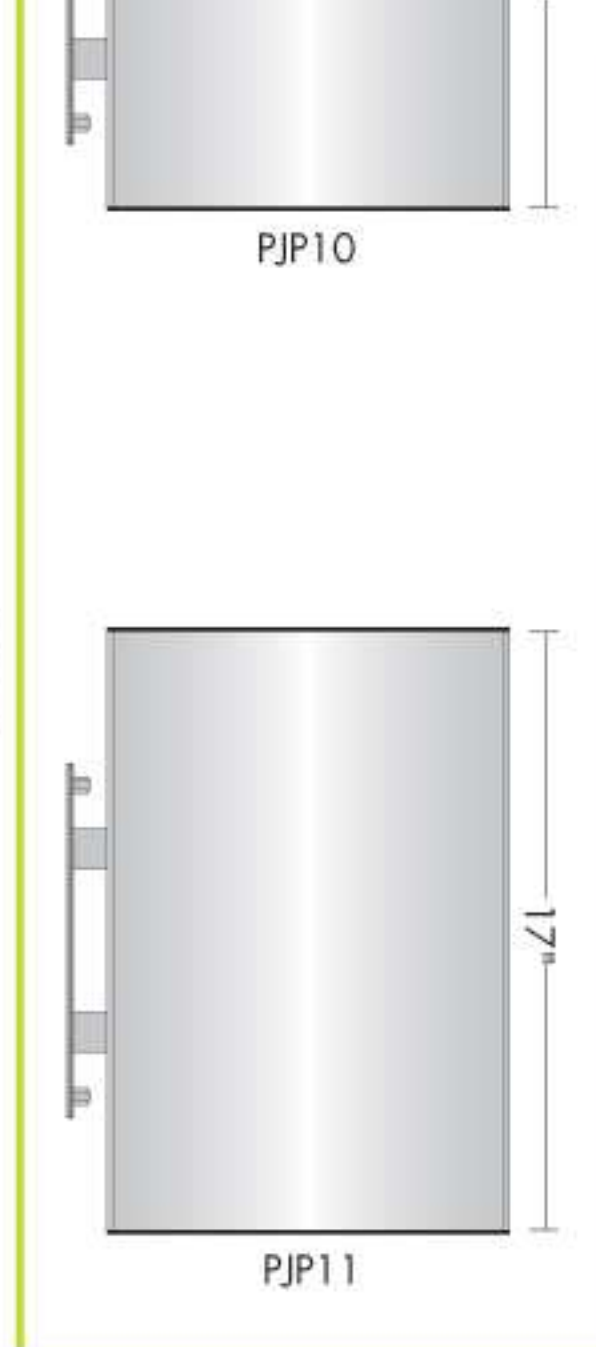
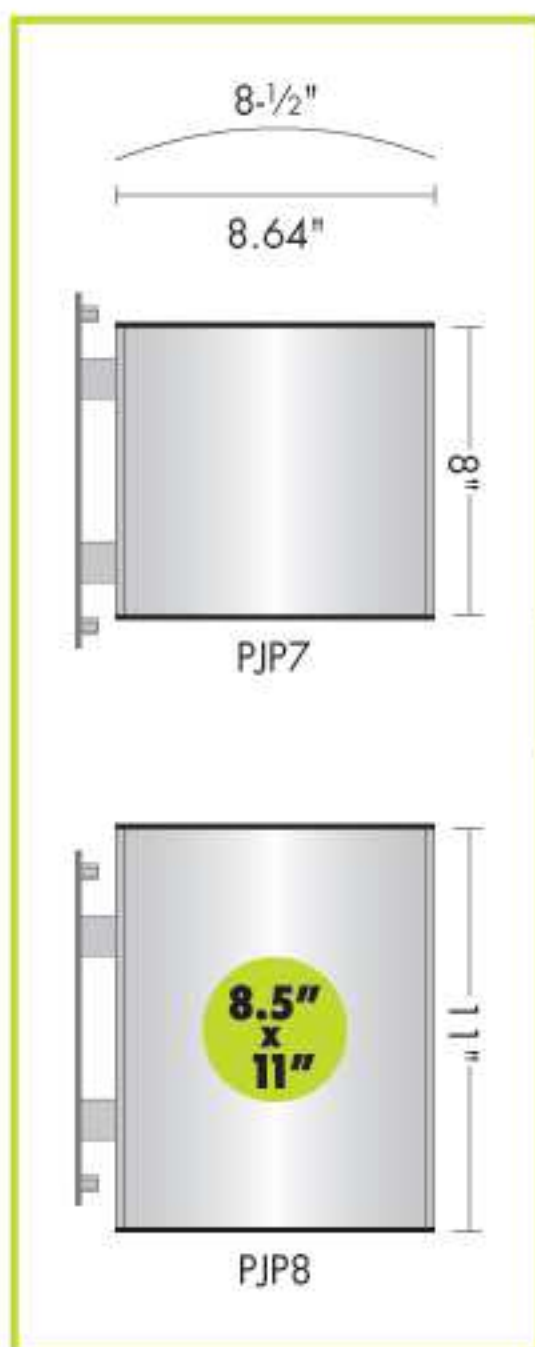
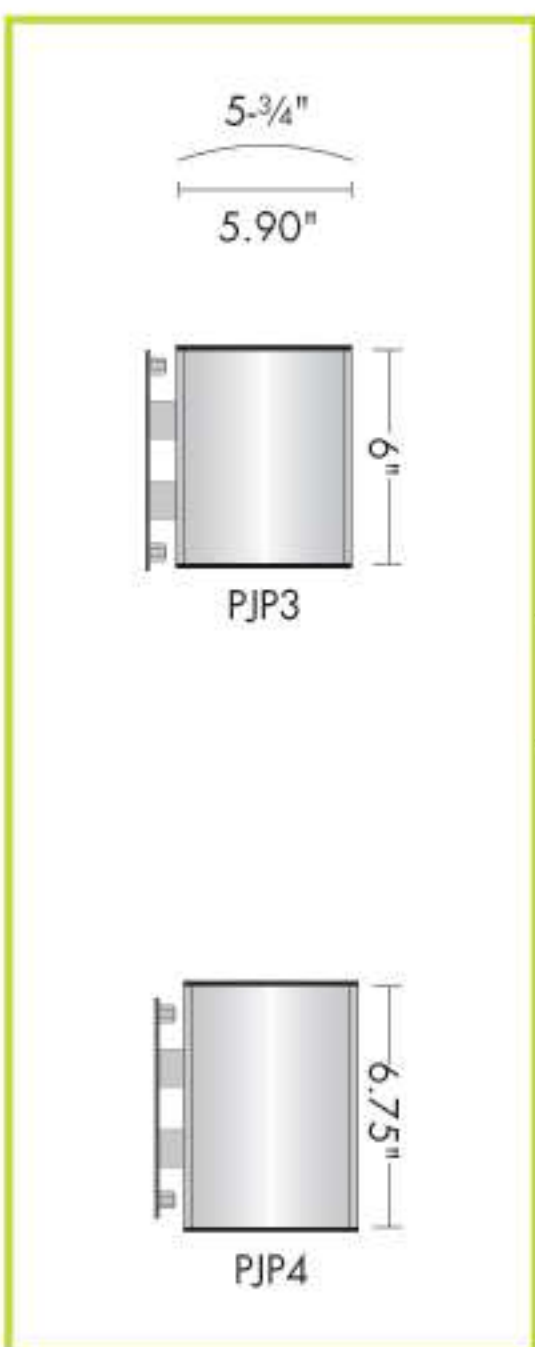
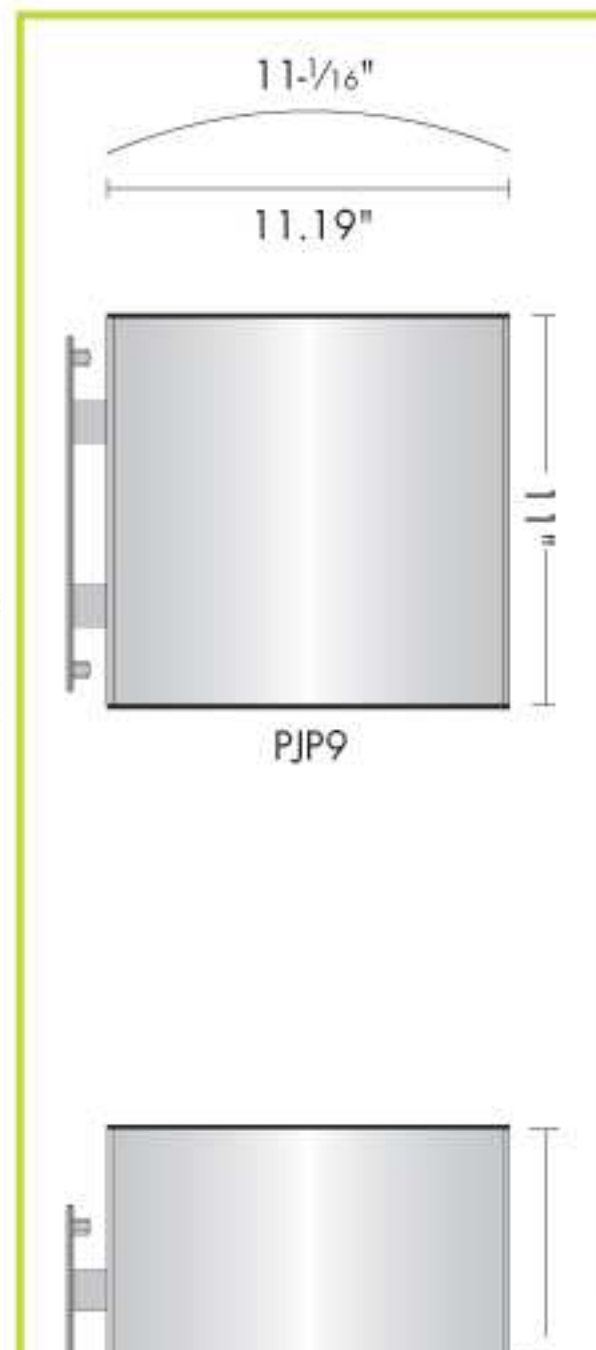
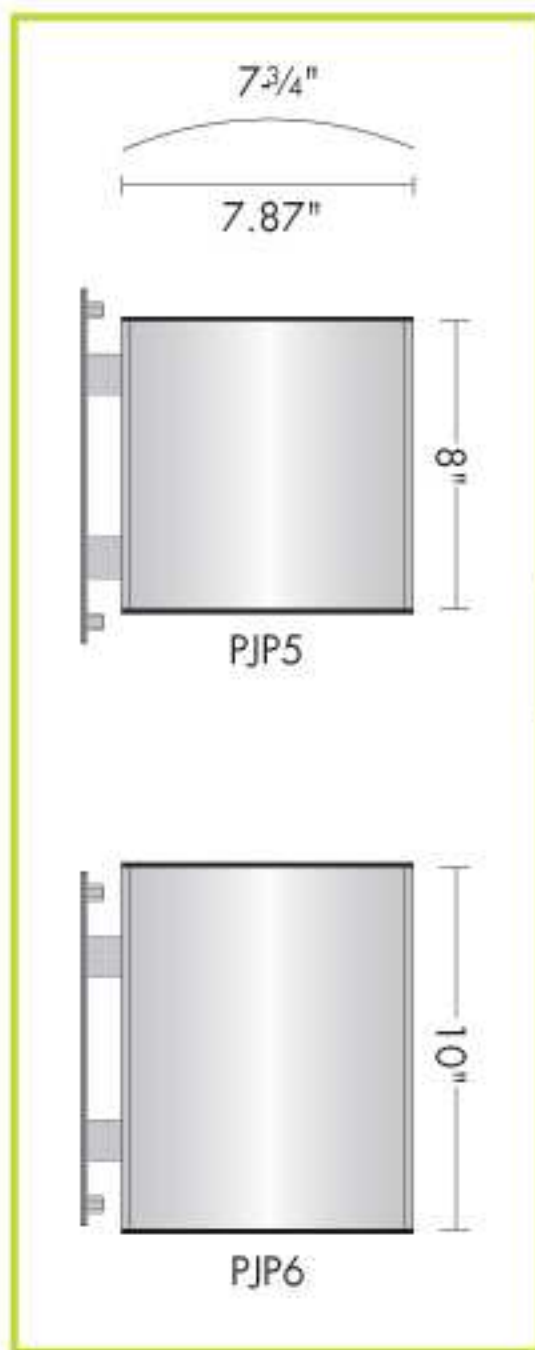
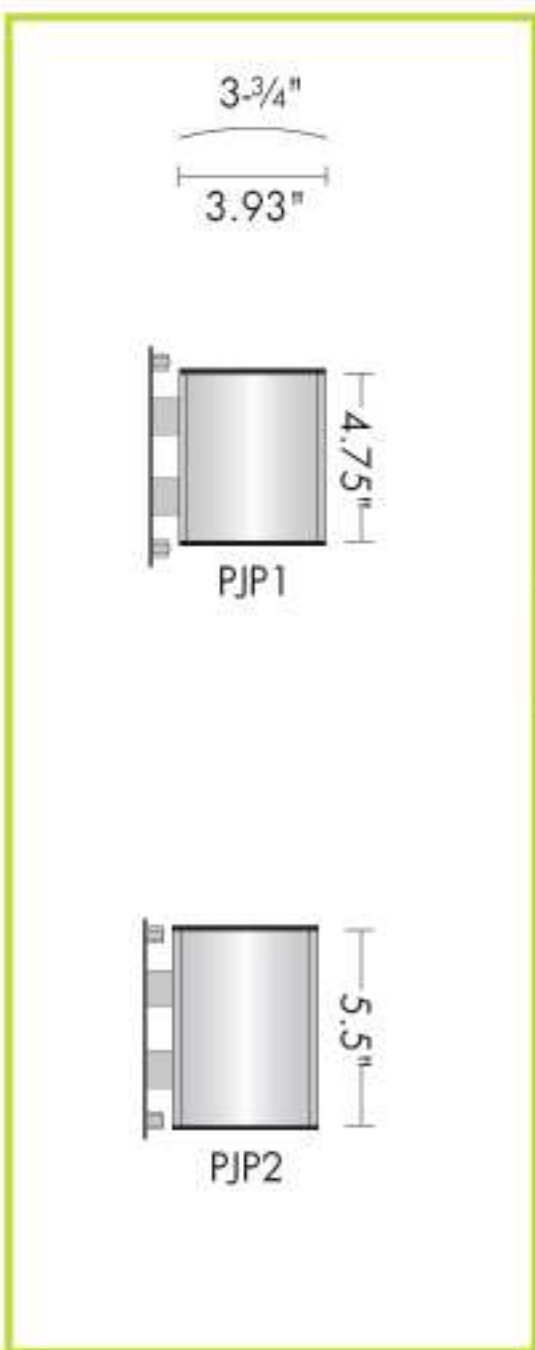


PJF Series | Flat

flat projecting signs



- flat, double sided wall projecting signs
- ideally suited for cut vinyl applications
- silver finish extruded aluminum body
- black impact-modified plastic end caps, one of which doubles up as a mountable bracket
- comes fully assembled
- custom lengths available



All length measurements apply to the extrusion only and exclude the end caps.