

8

7

6

5

4

3

2

1

D

D

C

C

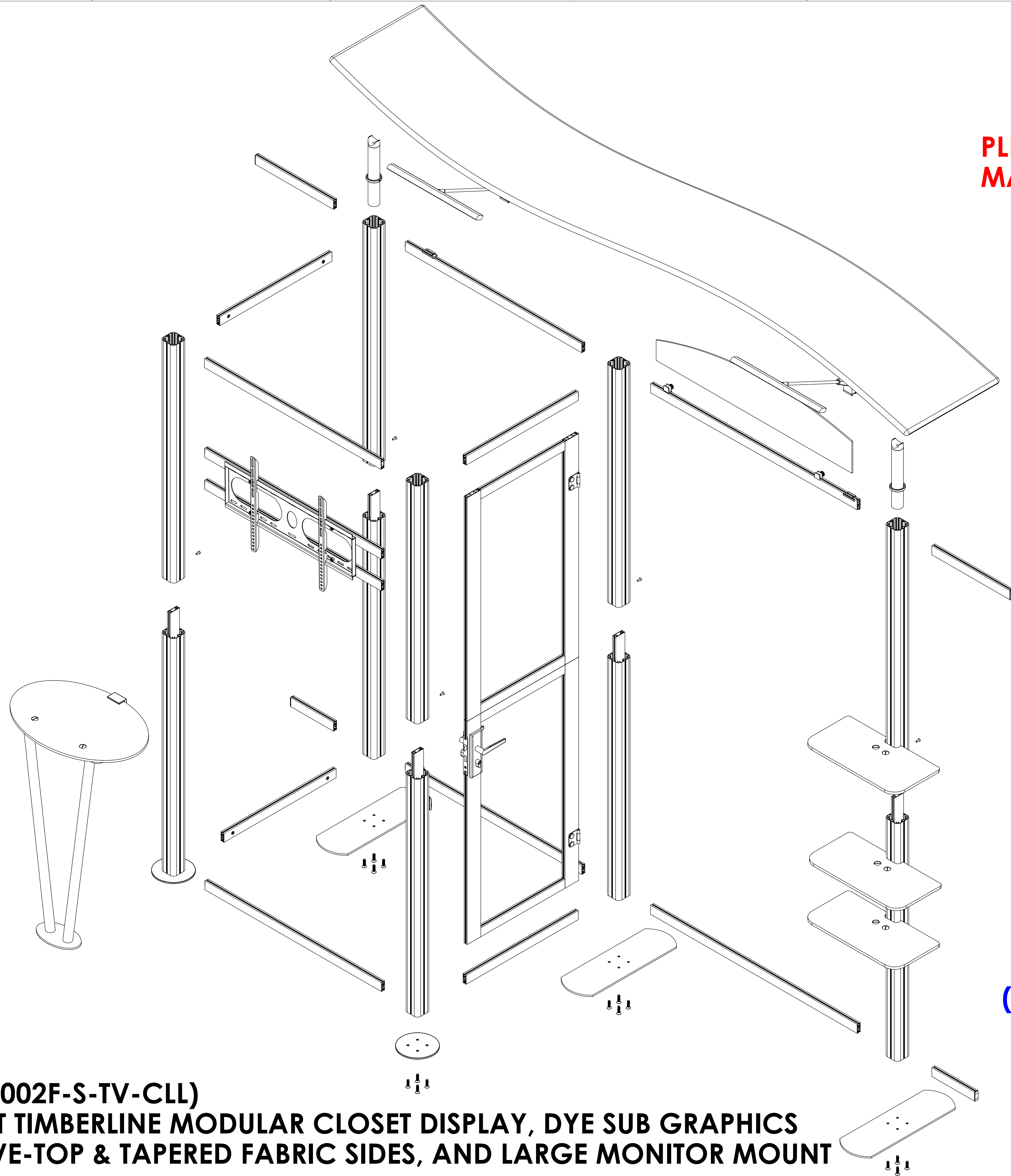
B

B

A

A

**PLEASE REFER TO LAST PAGE OF  
MANUAL FOR SEG INSTRUCTIONS**



**NOTE: UNLESS OTHERWISE SPECIFIED**

**1. ASSEMBLY-TIME : 2 HOURS WITH 2 PEOPLE.**

**(HINGE RIGHT , DOOR OPENS OUT)**

**(TL1002F-S-TV-CLL)  
 10 FT TIMBERLINE MODULAR CLOSET DISPLAY, DYE SUB GRAPHICS  
 WAVE-TOP & TAPERED FABRIC SIDES, AND LARGE MONITOR MOUNT**

8

7

6

5

4

3

2

1

8

7

6

5

4

3

2

1

D

D

C

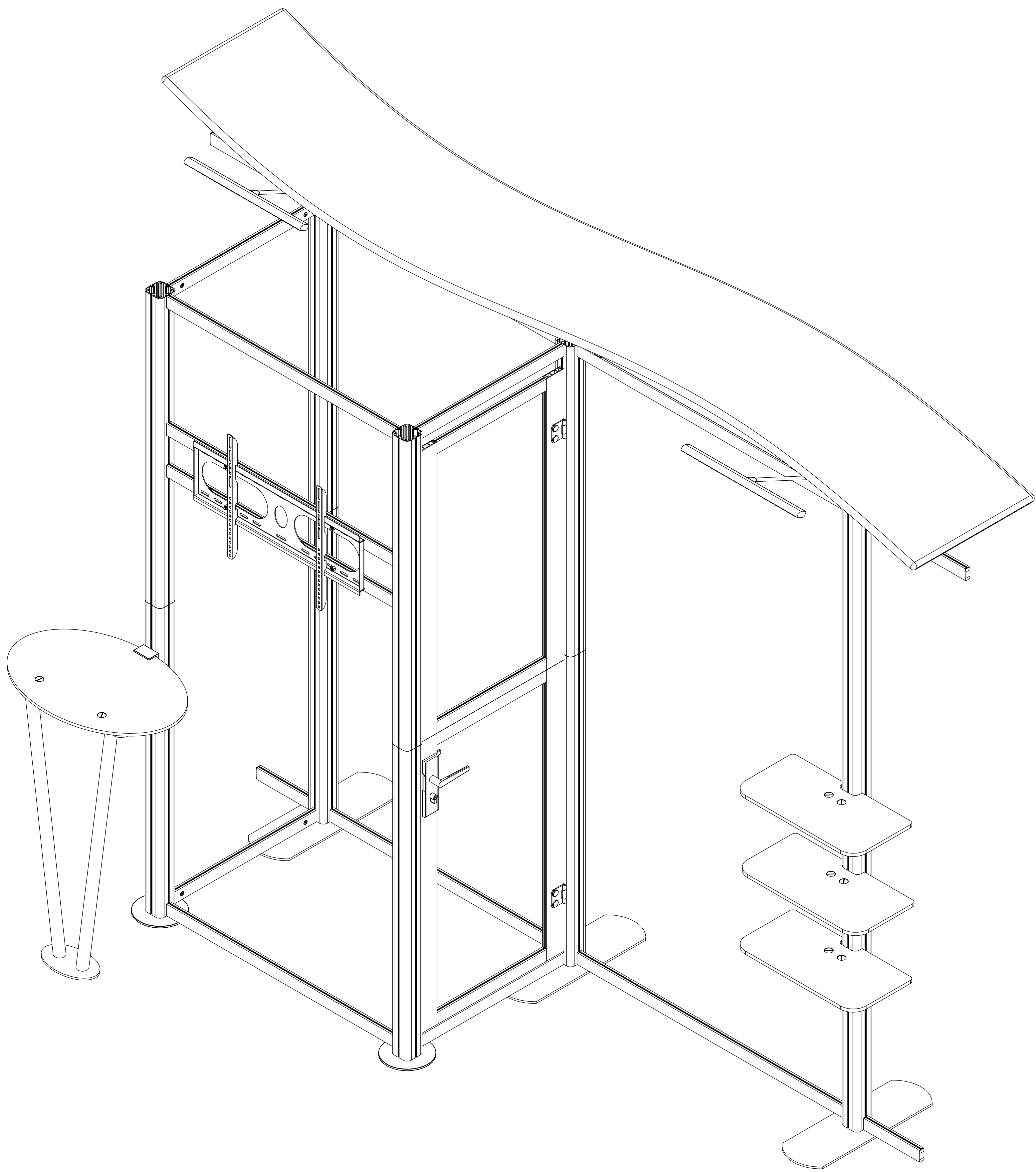
C

B

B

A

A



**10 FT TIMBERLINE WAVE-TOP , HINGE-RIGHT, DOOR OPENS OUT**

NIEDO GROUP , INC

SIZE	DWG. NO.	REV
D	10ft TL WT DOOR Left-Out	A
SCALE: 1:24 WEIGHT:		SHEET 2 OF 2

8

7

6

5

4

3

2

1