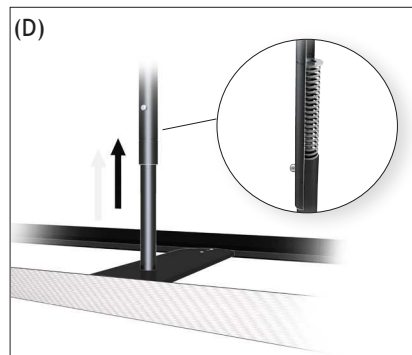
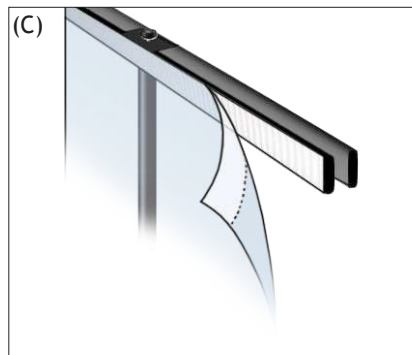
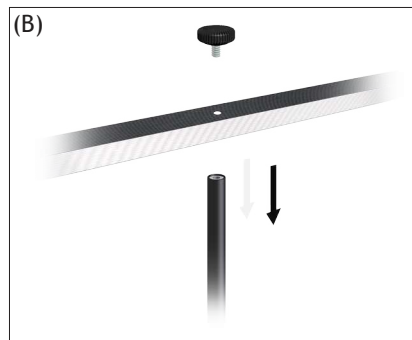
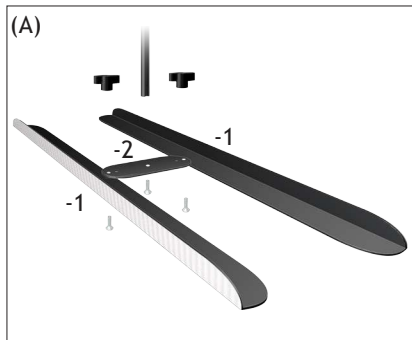


Banner Stands (Ultra™)

1. Insert rounded screws into square holes to lock bottom crossbars (fig. A-1).
2. Screw pole onto base using flathead screw (fig. A-2).
3. Screw top crossbar onto pole using rounded knob (figure B).
4. Attach banners to top and bottom crossbars (fig. C).
5. Press spring button at bottom of pole to tighten graphic tension (fig. D).



Applicable Products:

UB4-24, UB4-36

UB6-24, UB6-36, UB6-48

