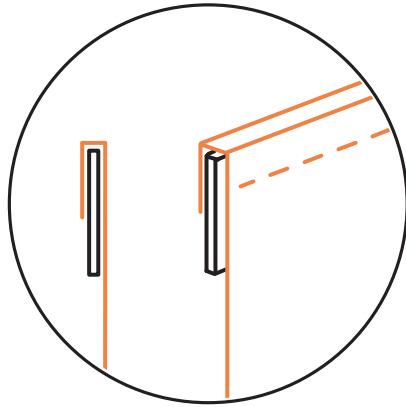


# Banner Clip Installation

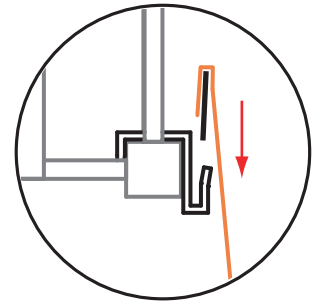
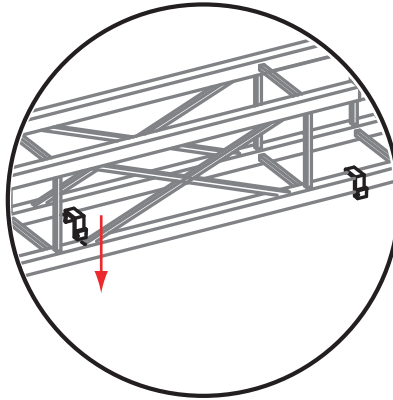
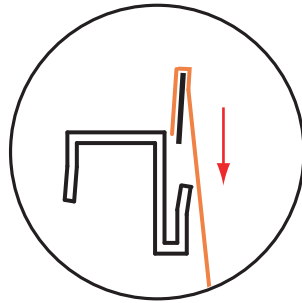
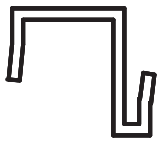
*For fabric graphics or solid fabric panel installation.*



Graphics may be on either side of a banner. The top seam will determine which side faces you.

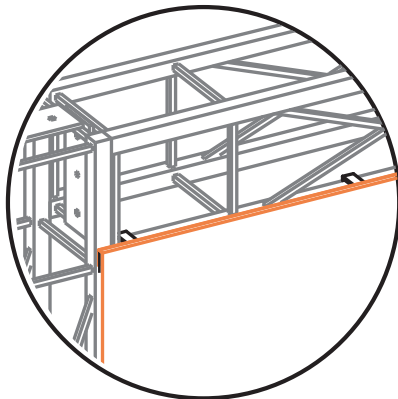
Rigid strips are sewn into the top and bottom ends of the banner.

Banner Clip  
EZ-BNRCLP



Slide the rigid edge of the banner down into the hook end of the clip, about every two feet, then attach clips onto truss tube.

Alternately, you can attach the clips to the truss first, with the hook end facing out, then firmly insert graphic into clip.



Your exhibit drawing shows whether to attach the clips onto the top or bottom truss tube.

Repeat with bottom edge, only upside down.