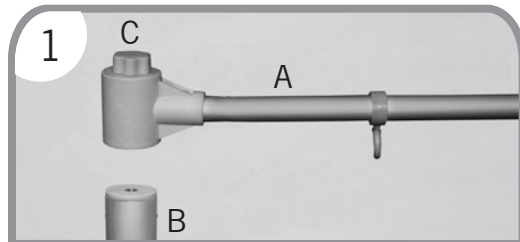
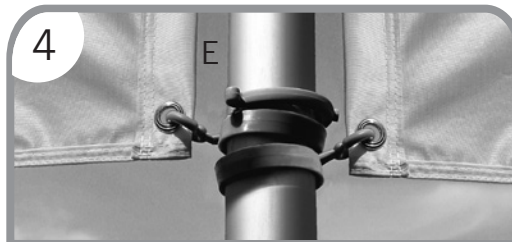
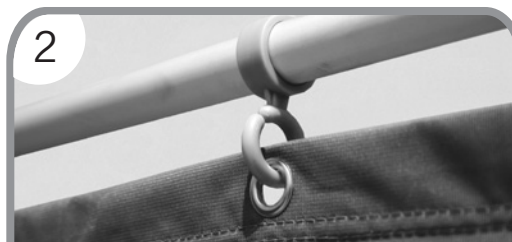
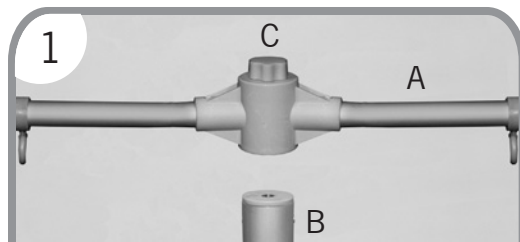


SINGLE ARM ASSEMBLY



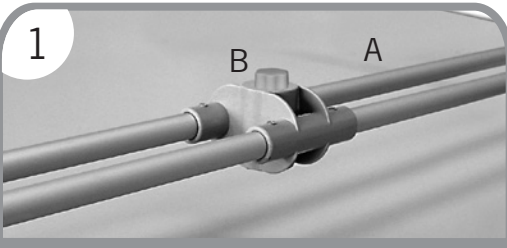
DOUBLE ARM ASSEMBLY



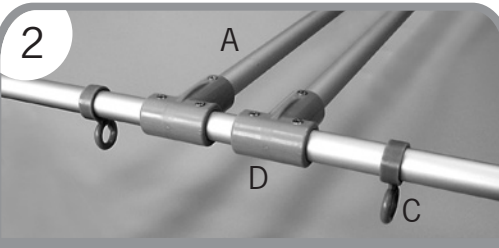
Do not fly your T-Pole® Basic in extreme winds (Single arm: 24-31mph or 6bft and higher & All other models: 7-12mph or 3bft and higher) and/or thunderstorms. Do not use near overhead wires. User must read and observe construction sheet. If this is not done correctly it may result in injury or death and all warranties will be void. All warranties will be void if the T-Pole® Basic hardware is used with any flag not produced by us.



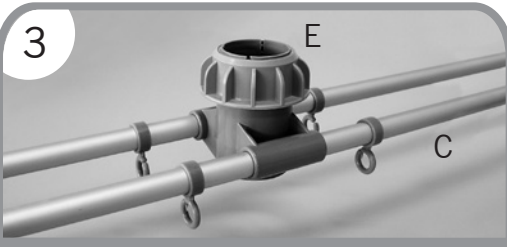
PARALLEL ARM ASSEMBLY



1 Mount the 2 Distance Pieces (A) to the Aluminum Pole's Upper Connecting Piece (B).



2 Screw the Upper Banner Arms (C) with their pre-mounted Parallel Connectors (D) onto the ends of the Distance Pieces (A).



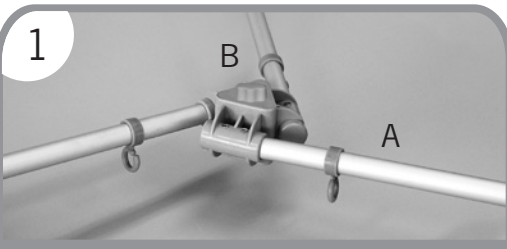
3 Remove 3 Banner Arm Clips from the Lower Banner Arms (B). Fit Lower Banner Arms (C) into the pole's Lower Connecting Piece (E) and put the removed Banner Arm Clips back on. At the Connecting Piece (E), fix the Lower Banner Arms (C) in a central position.



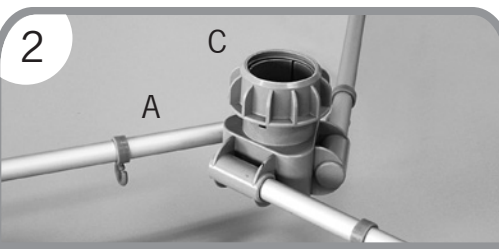
4 Attach flags to the Banner Arm Clips on both Upper and Lower Banner Arms (B). Extend Aluminum Pole to the point that the Spring Buttons (D) lock.




TRIPLE ARM ASSEMBLY




1 Screw three of the Banner Arms (A) into the Upper Connecting Piece (B).



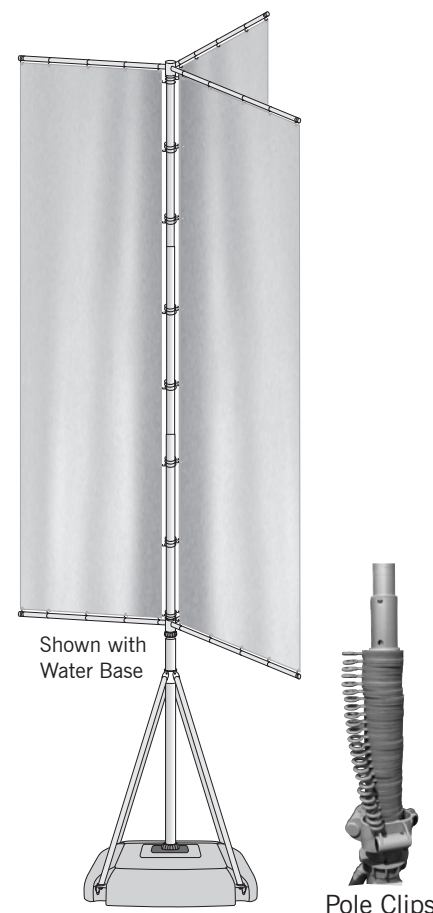
2 Screw the remaining three Banner Arms (A) into the Lower Connecting Piece (C).



3 Attach flags to the Banner Arm Clips on the Banner Arms and Pole Clips on the Aluminum Pole.



4 Extend Aluminum Pole to the point until the Spring Buttons (D) lock.



Do not fly your T-Pole® Basic in extreme winds (Single arm: 24-31mph or 6bft and higher & All other models: 7-12mph or 3bft and higher) and/or thunderstorms. Do not use near overhead wires. User must read and observe construction sheet. If this is not done correctly it may result in injury or death and all warranties will be void. All warranties will be void if the T-Pole® Basic hardware is used with any flag not produced by us.

