

Over the Top Table Top Display

HEADERS ITEM #s:

- 6' Kit Item# 280320
- 6' Graphic Only Item# 280340
- 8' Kit Item # 280321
- 8' Graphic Only Item # 280341

SHORT WALL ITEM #s:

- 6' Kit Item# 280322
- 6' Graphic Only Item# 280342
- 8' Kit Item # 280323
- 8' Graphic Only Item # 280343

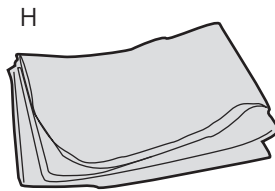
TALL WALL ITEM #s:

- 6' Kit Item# 280324
- 6' Graphic Only Item# 280344
- 8' Kit Item # 280325
- 8' Graphic Only Item # 280345

BANNER KIT HARDWARE ONLY ITEM #:280330

Product Parts

- 1 - Case
- A - Corner Pieces (x2)
- B - Clamps (x2)
- C - Bottom Vertical Poles (x2)
- D - Top Pole with tapered end (x1)
- E - Top Pole without tapered end (x1)
- F - Short Pole (x3)
- G - Floor Poles (x2)*
- H - Graphic Banner



*floor stand sold separately

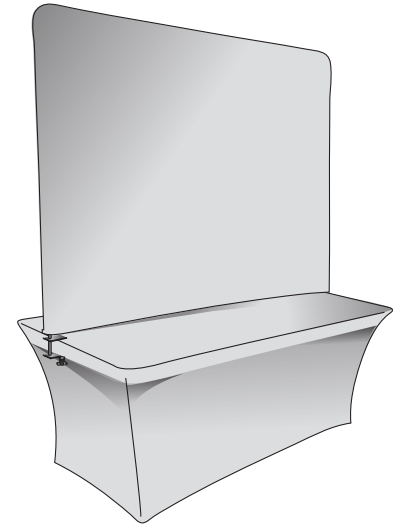
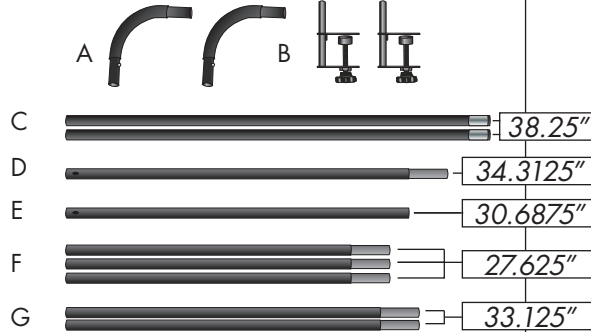
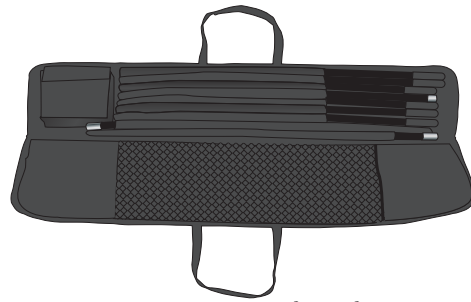


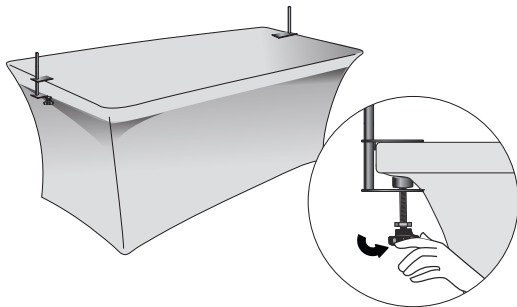
Table and Throw Sold Separately

INDOOR USE ONLY

Display Set-Up

Step 1

Take out all parts and place them on a clean surface. Slide Clamp (B) into place on each end of the table top. Turn knob clockwise to secure.



Step 2

Refer to the diagram to determine which poles you will need to use for the Graphic Banner (H).

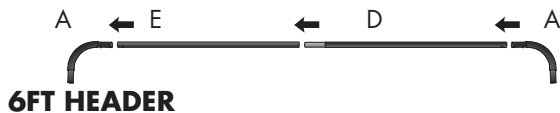
Description	Poles Used
6' Header Kit	(2)A / (2)B / (2)C / (1)D / (1)E
6' Short & Tall Wall	(2)A / (2)B / (2)C / (1)D / (1)E / (2)F
8' Header Kit	(2)A / (2)B / (2)C / (1)D / (1)E / (1)F
8' Short & Tall Wall	(2)A / (2)B / (2)C / (1)D / (1)E / (3)F

Step 3

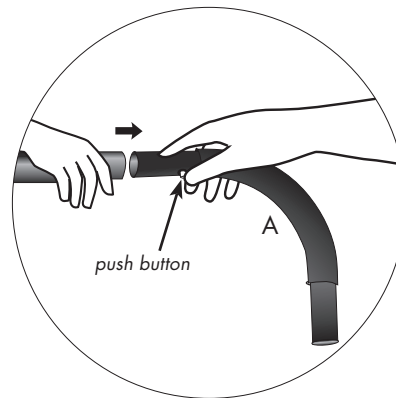
On a clean flat surface, put together the header. The Headers will always use E and D--these are the only poles with holes to accept the buttons on the Corners (A).



8FT HEADER



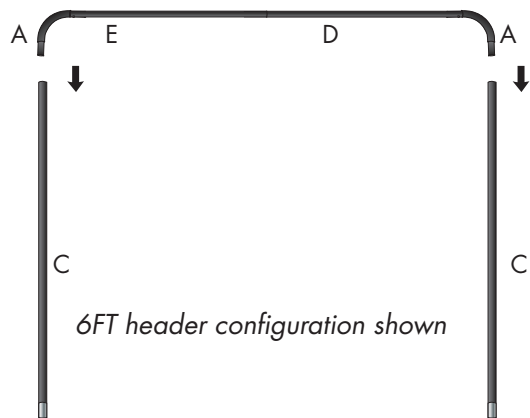
6FT HEADER



Display Set-Up Continued...

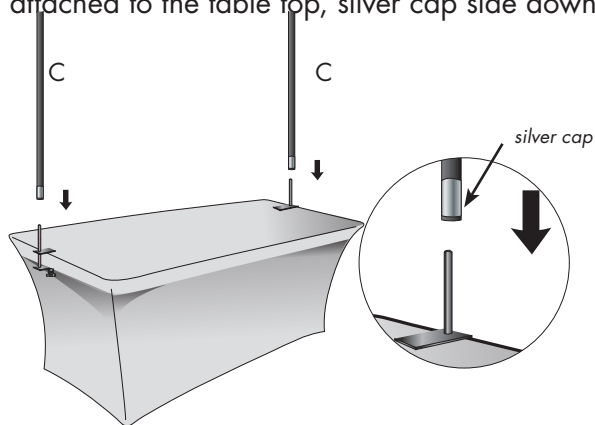
Step 4

Secure the Bottom Vertical Poles (C) to the header
 NOTE: the 6' & 8' Short & Tall Walls will use 2 Short Poles (F) as Vertical supports.



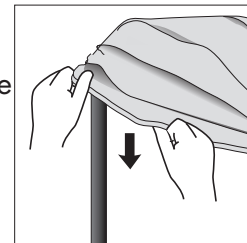
Set up NOTE:

For all display configurations, the Bottom Vertical Poles (C) will slide over the posts on the Clamps (B) attached to the table top, silver cap side down.



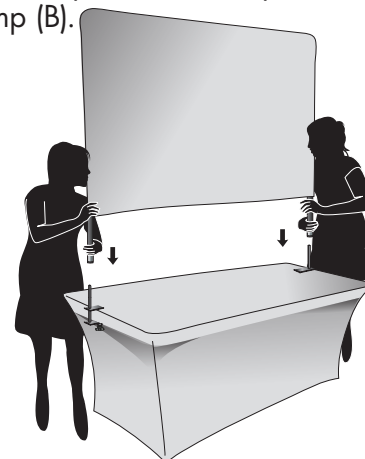
Step 5

Once the Bars are secured together slide the Graphic Banner (H) over the Frame work.



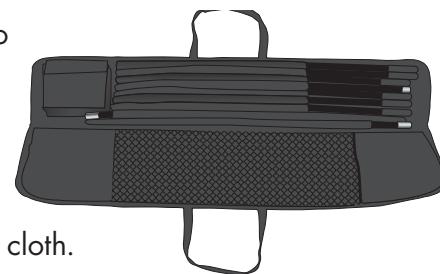
Step 6

In tandem with another person lift the Graphic Banner (H) and Frame work and place onto the pole that is located on the Clamp (B).



Storage & Care

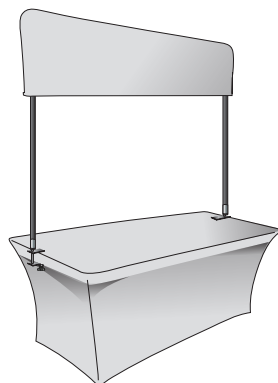
Place all product parts into Carry Case and store in a cool dry location.



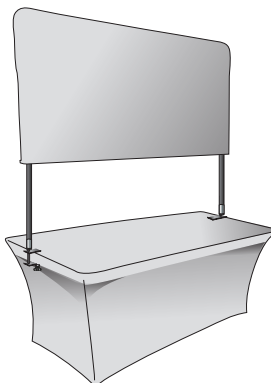
To clean, wipe with damp cloth.

Display Options

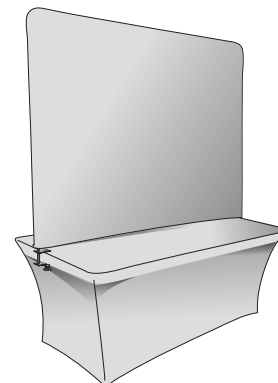
The adjustable frame expands from 6' to 8' in both width and height. Coordinate with a table throw for a complete look.



Over the Top Header shown on Ultrafit Table Throw (sold separately)



Over the Top Short Wall shown on Ultrafit Table Throw (sold separately)



Over the Top Tall Wall shown on Ultrafit Table Throw (sold separately)