

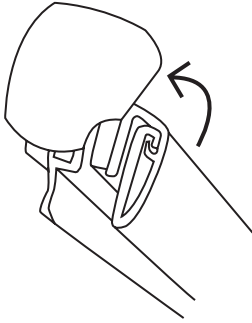
Orient & Orient 2

The Orient is a simplistic and elegantly designed banner stand that has the capability to be double sided. Dual retractor mechanisms allow you to present two graphics back to back. It is finished in anodized silver or black with heavy duty molded endplates. Padded carry bag is included.

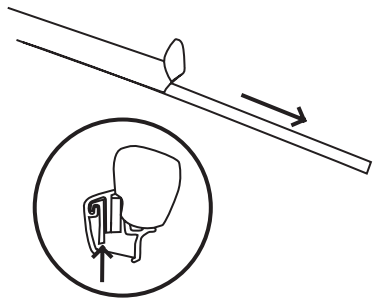


Adhesive Top Rail Attachment

1



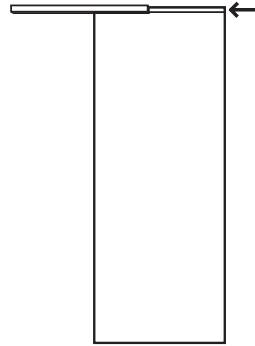
2



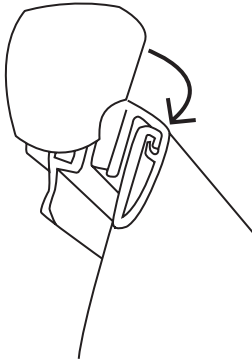
3



4

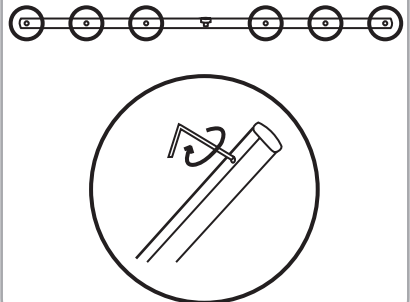


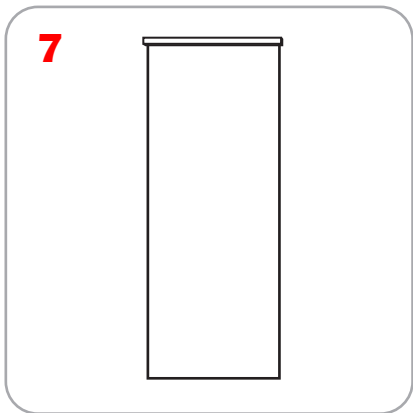
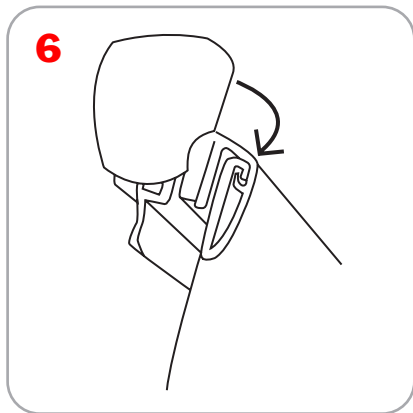
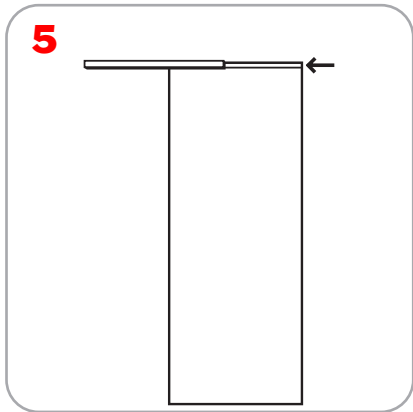
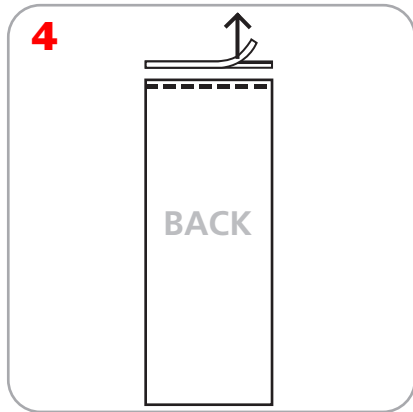
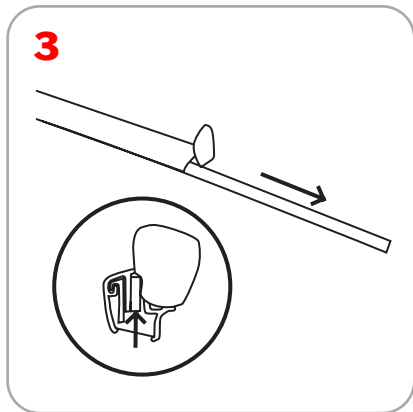
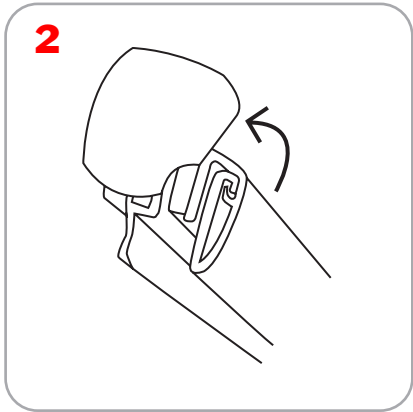
5



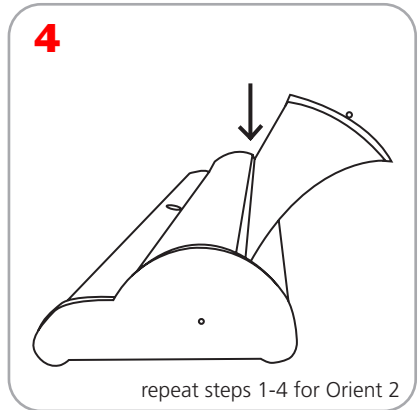
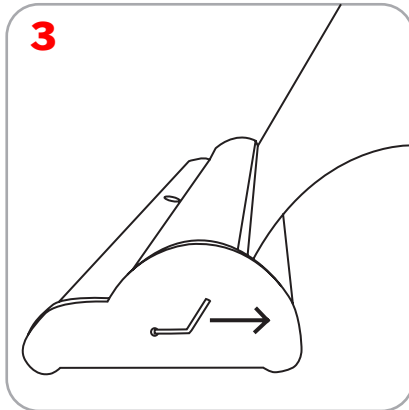
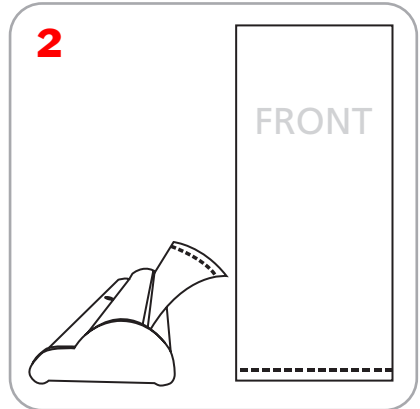
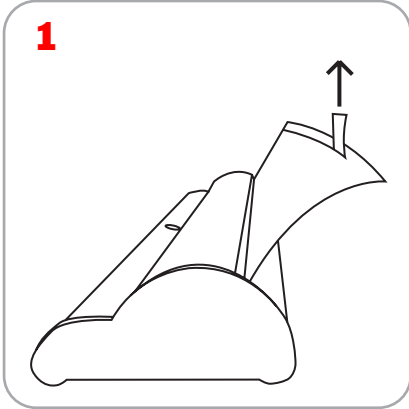
Grippa Top Rail Attachment

1

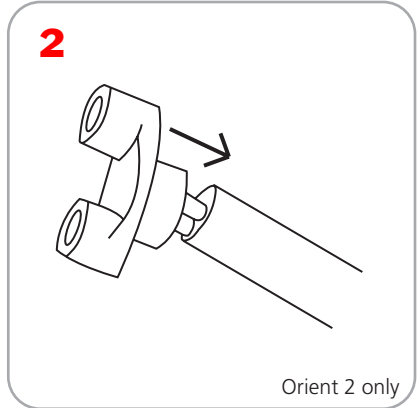
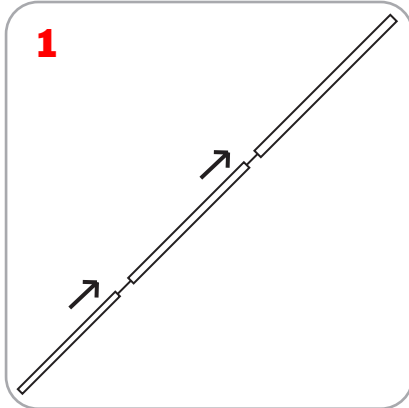


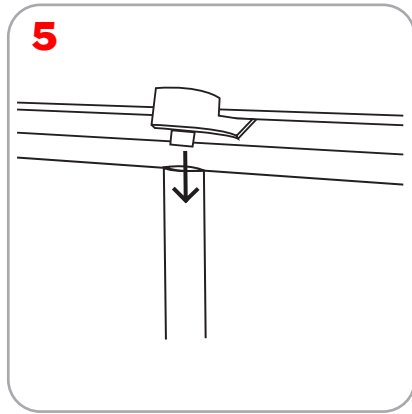
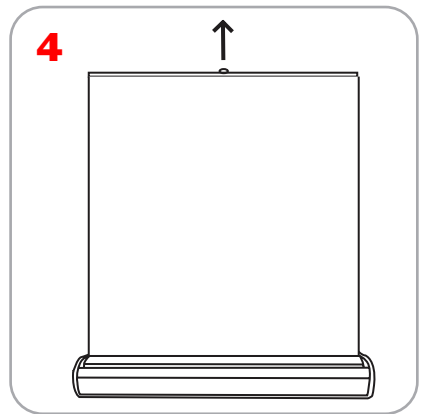
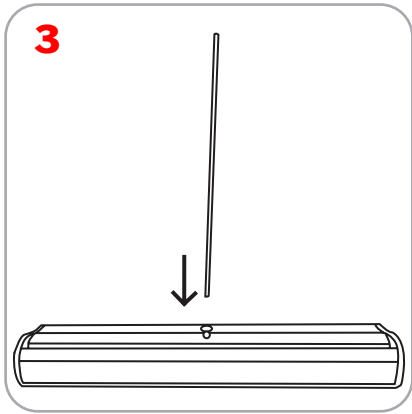


Attaching Graphic to Leader strip



Assembly Instructions





Features and Benefits

- Variable width
- Molded endplates
- Can be single or double sided
- Supplied with quality carry bag
- Available in anodized silver or black
- Integrated pole storage for the 3 piece bungee cord pole

Dimensions

Orient Base Hardware Dimensions	Orient 2 Base Hardware Dimensions
Orient 800: 32.5" w x 7.25" d x 3.5" h 825.5mm w x 184.15mm d x 88.9mm h	Orient 2 800: 32.5" w x 9.56" d x 3.5" h 825.5mm w x 242.824mm d x 88.9mm h
Orient 920: 36.75" w x 7.25" d x 3.5" h 933.45mm w x 184.15mm d x 88.9mm h	Orient 2 920: 36.75" w x 9.56" d x 3.5" h 933.45mm w x 242.824mm d x 88.9mm h
Orient 1000: 40.275" w x 7.25" d x 3.5" h 1022.985mm w x 184.15mm d x 88.9mm h	Orient 2 1000: 40.275" w x 9.56" d x 3.5" h 1022.985mm w x 242.824mm d x 88.9mm h
Orient Graphic Dimensions	Orient 2 Graphic Dimensions
Orient 800: 31.5" w x 83.25" h 800.4mm w x 2114.55mm h	Orient 2 800: 31.5" w x 83.25" h 800.4mm w x 2114.55mm h
Orient 920: 35.5" w x 83.25" h 901.7mm w x 2114.55mm h	Orient 2 920: 35.5" w x 83.25" h 901.7mm w x 2114.55mm h
Orient 1000: 39.25" w x 83.25" h 996.95mm w x 2114.55mm h	Orient 2 1000: 39.25" w x 83.25" h 996.95mm w x 2114.55mm h
All require an additional 1/2" bleed at top and 6" bleed a bottom	All require an additional 1/2" bleed at top and 6" bleed a bottom

Additional Information

Shipping Weights & Dimensions

Orient 800: 36" x 10" x 6" 11 lbs 914.4mm x 304.8mm x 152.4mm 4.99 kg	Orient 2 800: 36" x 12" x 12" 16 lbs 914.4mm x 304.8mm x 304.8mm 7.25 kg
Orient 920: 43" x 10" x 6" 12 lbs 1092.2mm x 304.8mm x 152.4mm 5.44 kg	Orient 2 920: 43" x 12" x 12" 18 lbs 1092.2mm x 304.8mm x 304.8mm 8.16 kg
Orient 1000: 43" x 10" x 6" 12 lbs 1092.2mm x 304.8mm x 152.4mm 5.44 kg	Orient 2 1000: 43" x 12" x 12" 18 lbs 1092.2mm x 304.8mm x 304.8mm 8.16 kg

Recommended Substrate: Dye-sub material, Vinyl, Scrim Vinyl, Flag Material

Included in Kit: Base, top rail, bungee cord pole, and carry bag

Can add lighting with any of our lights

Lumina 2 is recommended

Must order universal connector for Lumina 7 and Lumina 200

-Adhesive top rail attachment recommended for short-term use, grippa top rail attachment recommended for long term, semi-permanent graphic attachment.