

Monitor Shade Cover Spec Sheet

Monitor Shade Cover

Designed especially for use within your exhibit, the patented Monitor Shade Cover offers functionality and branding in one! Used in conjunction with E-Z UP Instant Tables, the standard 2' x 2' x 35" (0.6m x 0.6m x 90cm) and tall 2' x 2' x 70" (0.6m x 0.6m x 1.8m) Monitor Shade Cover allows you to set up your laptop, computer or monitor in seconds and display your promotion instantly.



Event Marketing Rental Industry Business & Civic Events Portable Signage Rental Industry Catering Events
Instant Signage Corporate Events Catering Trade Shows Indoor & Outdoor Display Exhibit Booths
Sponsorship Recognition Advertisement Party Rentals Commercial Use Racing Product Demonstrations

MONITOR SHADE COVER FEATURES:

- ◇ Customize to Advertise your Corporate Logo or Message
- ◇ Reduces Screen Glare & Reflection by Shading from Overhead Lighting or Sunlight
- ◇ Helps Maintain Consistent Color Calibration when Viewing
- ◇ Increases User Privacy
- ◇ Protects Components & Screen from Dust and Debris
- ◇ Portable & Easy Set Up
- ◇ Certified to Meet CPAI-84 Fire Resistant Requirements
- ◇ Available in 22 Vibrant Professional Fabric Colors
- ◇ 1 to 3 color Imprint or Full-Bleed Digital Printing
- ◇ 1 Year Warranty

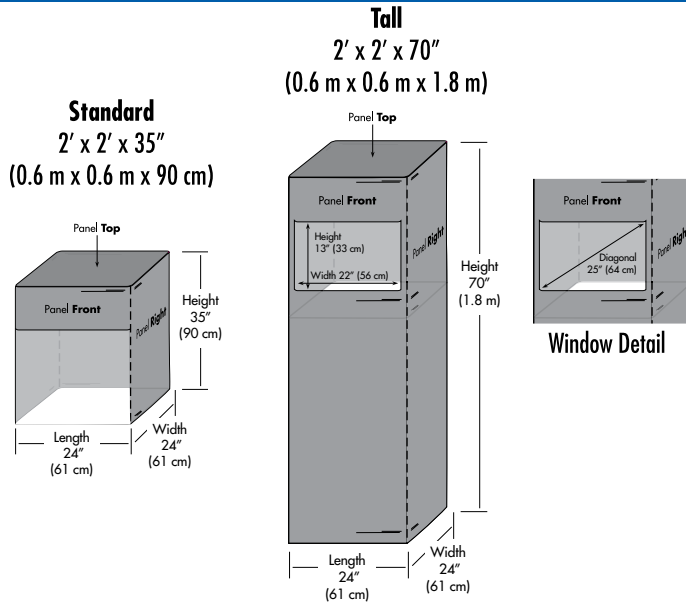
INSTANT TABLE™ FEATURES:

- ◇ Size: 2' x 2' (0.6 m x 0.6 m)
- ◇ Supports Distributed Weight Load 2' x 2' (0.6 m x 0.6 m) = 175 lbs. (79.4 kg)
- ◇ Universal Aluminum Folding Top
- ◇ Fixed Shelf Positions
- ◇ Locking Table Connectors
- ◇ Soft Surface Footpads
- ◇ Push Button Toggles
- ◇ 3 Height Adjustments 31", 35" and 42" (80 cm, 90 cm and 107 cm)
- ◇ 2 Year Warranty

See Instant Table Spec Sheet for More Details



Monitor Shade Cover Spec Sheet



E-Z UP® Monitor Shade Cover Professional Colors:



PRODUCT NAME	MONITOR SHADE COVERS		INSTANT TABLE™	SHELF KIT	LEAF KIT AND LEAF SHELF KIT
SIZE	STANDARD 2' x 2' x 35" (0.6 m x 0.6 m x 90 cm)	TALL 2' x 2' x 70" (0.6 m x 0.6 m x 1.8 m)	2' x 2' (0.6 m x 0.6 m)	2' x 2' (0.6 m x 0.6 m)	2' x 2' (0.6 m x 0.6 m)
PRODUCT INCLUDES	Professional Grade Fabric		1 - 2' x 2' (0.6 m x 0.6 m) Frame 1 - Folding Top Panel, 1 - Carry Bag 4 - Soft Surface Foot Pads	2 Shelf Braces to Fit 2' x 2' (0.6 m x 0.6 m) Instant Table™ 1 - Folding Top Panel, 1 - Shelf Kit Carry Bag	2 - Leaf Braces 1 - Folding Top/Shelf Panel 1 - Carry Bag, 4 - Connector Plugs
WARRANTY	1 Year		2 Years	N/A	N/A
WINDOW SIZE	N/A	22" W x 13" H (56 cm x 33 cm) Diagonal — 25" (64 cm)	N/A	N/A	
HEIGHT	35" (90 cm)	70" (1.8 m)	31" • 35" • 42" (80 cm • 90 cm • 107 cm)	3 Adjustable Height Positions	
MAX WEIGHT LOAD	N/A	N/A	175 lbs. (79.4 kg)	50 lbs. (22.7 kg)	Leaf Top 100 lbs. (45.4 kg) Leaf Shelf 50 lbs. (22.7 kg)
ITEM WEIGHT	1 lb. (0.5 kg)	2.4 lbs. (1.1 kg)	22 lbs. (10.0 kg)	10 lbs. – 11 lbs. (4.5 kg - 5.0 kg)	22 lbs. (10.0 kg)
PACKAGE WEIGHT	2 lbs. (0.9 kg)	3.5 lbs. (1.6 kg)	23 lbs. (10.4 kg)	11 lbs. – 12 lbs. (5 kg - 5.4 kg)	23 lbs. (10.4 kg)
BOX DIMENSIONS	18" L x 14" W x 7" H (46 cm x 36 cm x 18 cm)		33" L x 9" W x 9.5" H (84 cm x 23 cm x 24 cm)	24" L x 12" W x 10" H (61 cm x 30 cm x 25 cm)	33" L x 9" W x 9.5" H (84 cm x 23 cm x 24 cm)

PRODUCT NAME	CONNECTOR PLUGS	FOOT PADS (4)	WHEELS (4)	TABLE TOPS
ITEM WEIGHT	.20 lbs. (0.1 kg)	.50 lbs. (0.2 kg)	.60 lbs. (0.3 kg)	6 lbs. (2.7 kg)
PACKAGE WEIGHT	2 lbs. (0.9 kg)	2 lbs. (0.9 kg)	2.3 lbs. (1.0 kg)	7 lbs. (3.2 kg)
BOX DIMENSIONS	12" L x 4" W x 3" H (30 cm x 10 cm x 8 cm)	4" L x 3" W x 3" H (10 cm x 8 cm x 8 cm)	4" L x 3" W x 3" H (10 cm x 8 cm x 8 cm)	18" L x 4" W x 3" H (46 cm x 10 cm x 8 cm)