

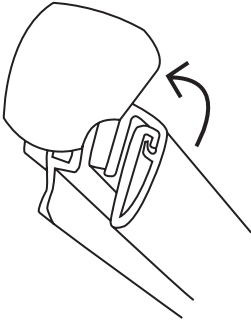
Imagine

With refined styling and a streamlined profile, the Imagine is packed with new design innovations. This banner stand is our most popular removable cassette roller system and has been specially designed for maximum convenience and ease of use.

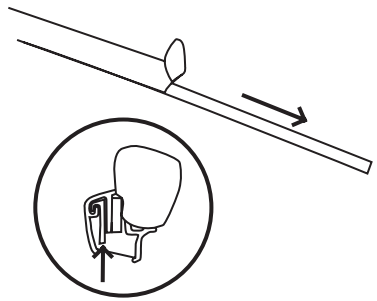


Adhesive Top Rail Attachment

1



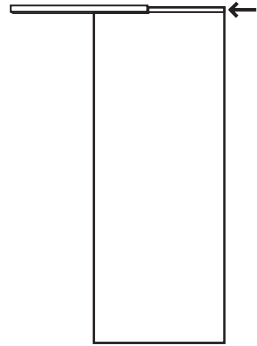
2



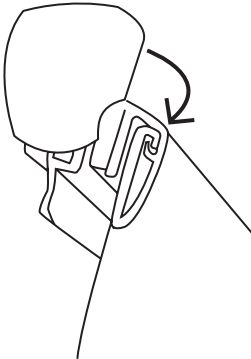
3



4

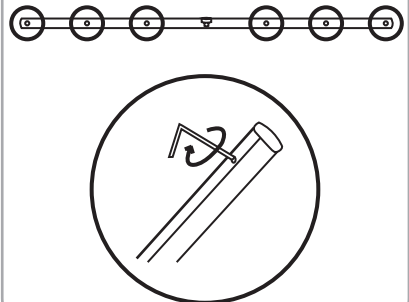


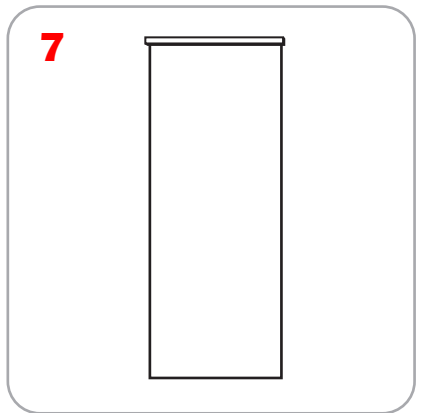
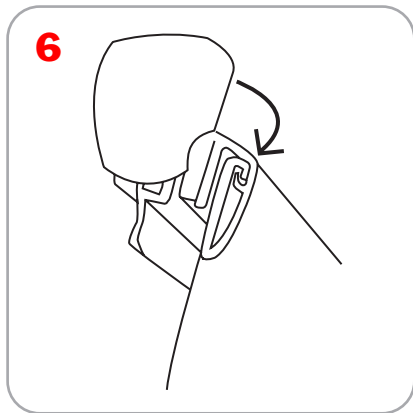
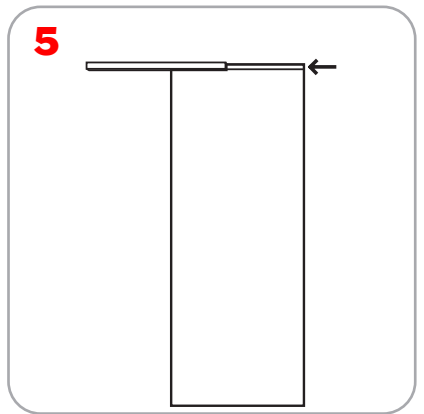
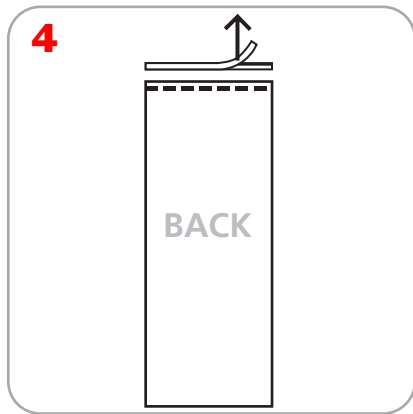
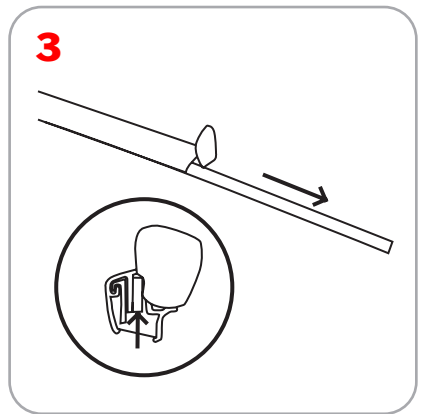
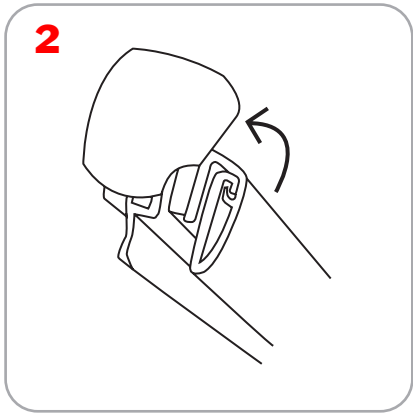
5



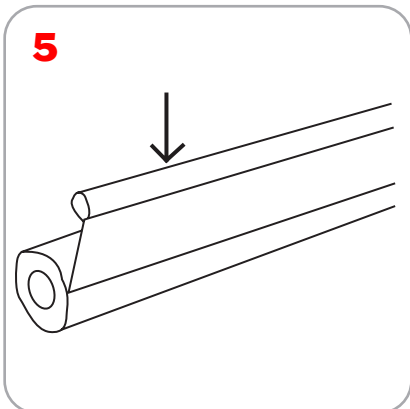
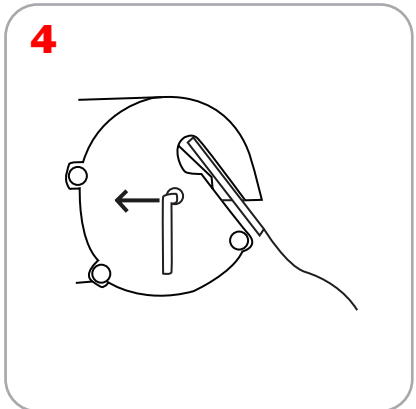
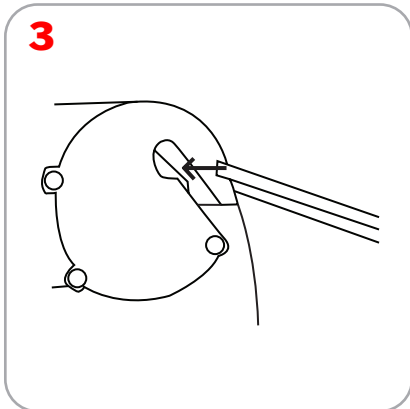
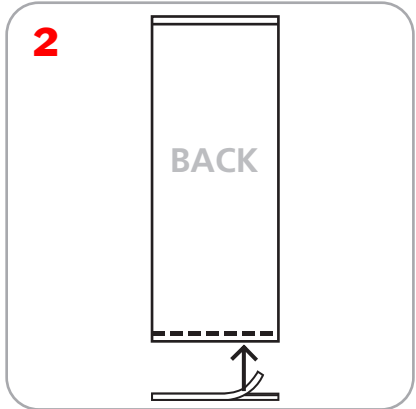
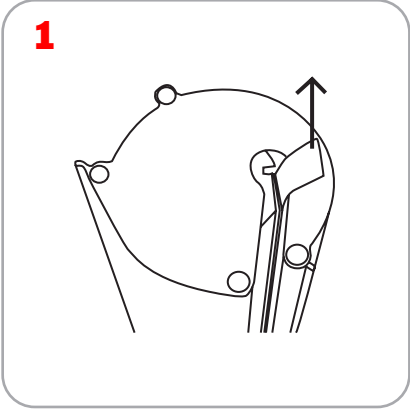
Grippa Top Rail Attachment

1

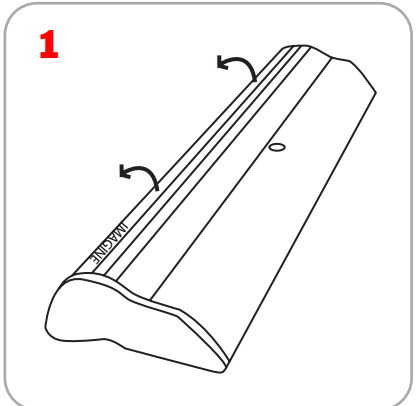


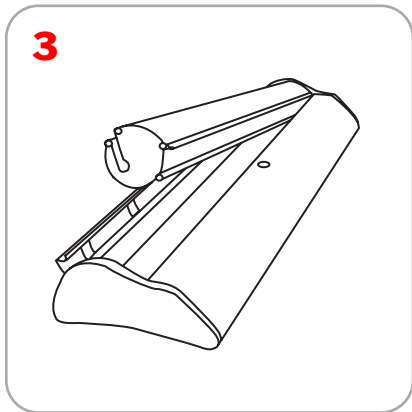


Bottom Graphic Attachment - Cassette

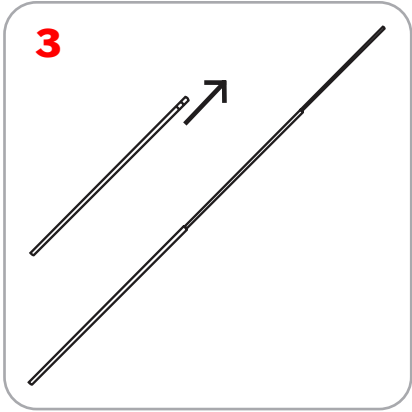
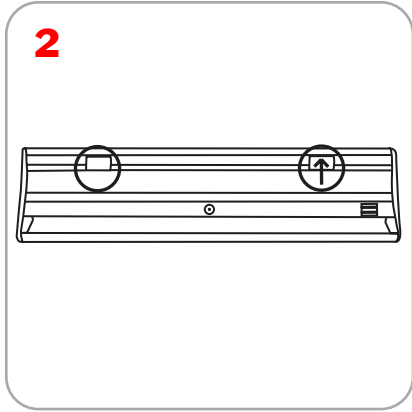
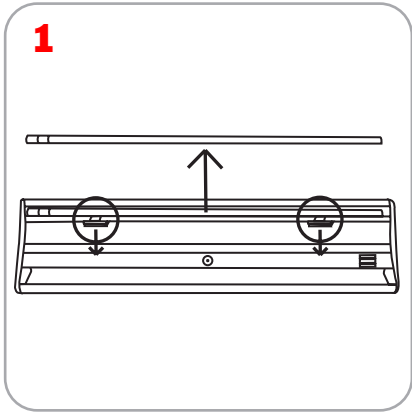
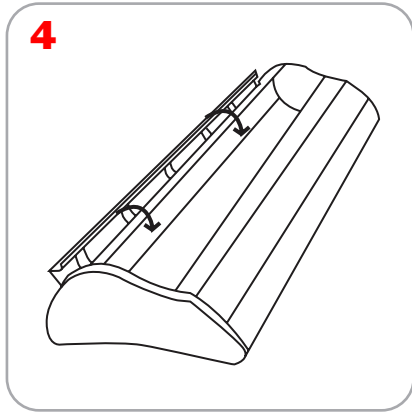


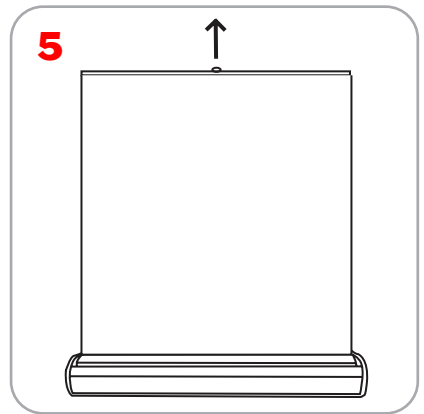
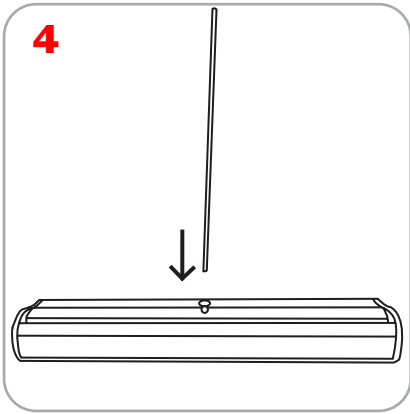
Cassette Installation



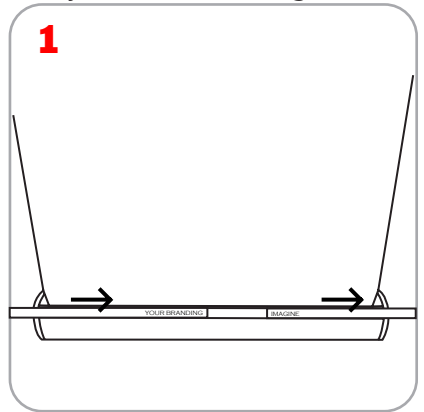
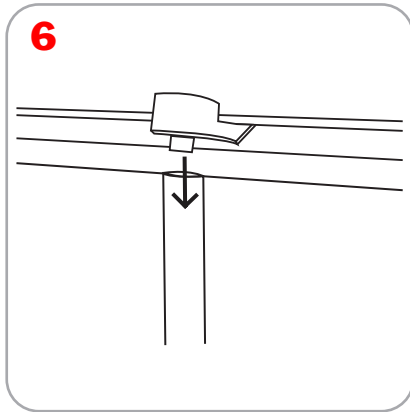


Banner Stand Assembly

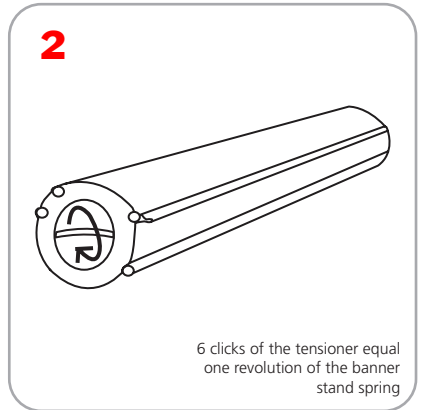
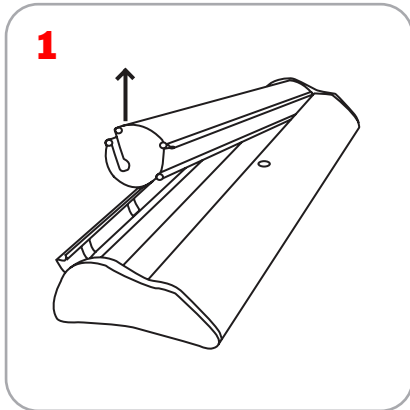










Add your own branding



Retensioning



Case Options for the Imagine Banner Stand

	OCB	Holds 1 Imagine Banner Stand
	OCS	Holds 3 Imagine Banner Stands
	OCL	Holds 3 Imagine Banner Stands
	OCP	Holds 5 Imagine Banner Stands
	OCP Elite	Holds 6 Imagine Banner Stands
	OCH	Holds 5 Imagine Banner Stands

Features and Benefits

- Variable height = 29.5" - 83.35"
- Available in anodized silver
- Drop-in interchangeable cassette accommodates graphic media up to 17.72 mils thick*
- Secure slide in graphic system
- Graphic tensioner
- Integrated pole storage for the twist & lock telescopic pole
- Supplied with quality foam padded carry bag
- Add your own branding using the slide in graphic channel along the banner base
- Anti-slip strips along base

*Please test your substrate suitability before use

Dimensions

Hardware Dimensions	Graphic Dimensions
<p>Hardware Dimensions:: 87.40"(h) x 34.10"(w) x 8.50"(d) approx. 2220mm(h) x 865mm(w) x 215mm(d) approx.</p> <p>Base Dimensions: 3.75"(h) x 34.10"(w) x 8.50"(d) approx. 95mm(h) x 865mm(w) x 215mm(d) approx.</p> <p>Weight: 13.2 lbs (6 kg) approx (including carry bag)</p> <p>Included in Kit: Base, top rail, cassette, telescopic pole and carry bag</p>	<p>Visible Graphic Dimensions: 83.35" max (h) x 31.50"(w) 2130mm max (h) x 800mm(w)</p> <p>29.5" min x 31.50"(w) 750mm min (h) x 800mm(w)</p> <p>Graphic: Add 1/2" bleed to top and 12" (300mm) bleed to base of graphic to allow for roller mechanism</p> <p>Recommended material thickness 8.86-17.72 mils (225-450 microns)</p>

Additional Information

<p>Branding Strip: Overall Dimensions: 0.94"(h) x 32.7"(w) 24mm(h) x 830mm(w)</p> <p>Visible Dimensions: 0.79"(h) x 32.7"(w) 20mm(h) x 830mm(w)</p> <p>Recommended material thickness: 9.85 mils (250 microns)</p>	<p>Shipping Dimensions: 36" x 11" x 5" 914.4mm x 279.4mm x 127mm</p> <p>Shipping Weight: 16 lbs / 7.26kg</p> <p>Can add lighting with any of our lights. Lumina 2 is recommended. Must order universal connector for Lumina 7 & Lumina 200</p>
--	---

We are continually improving and modifying our product range and reserve the right to vary the specifications without prior notice. All dimensions and weights quoted are approximate and we accept no responsibility for variance. E&OE. See Graphic Templates for graphic bleed specifications.