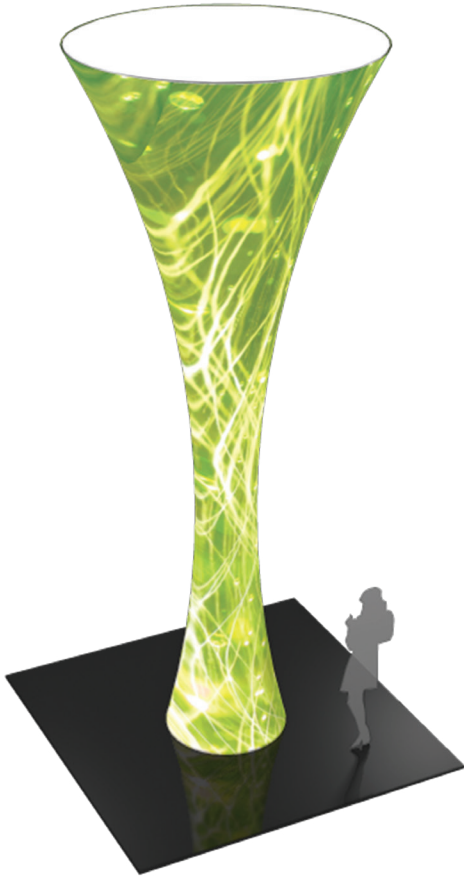


Formulate 20' Funnel

FUN-01

Formulate™ Funnels transform any environment through form, fabric and lighting. Funnels feature a heavy-duty, wooden base and silver powder coated truss interior to create a dynamic, towering structure that commands attention. Fabric graphics feature a zipper at the top and a silicone edge at the bottom for easy assembly. Accent LED light kits are not included, but can be purchased a la carte to add a glow within the funnel structures.



features and benefits:

- State-of-the-art 30mm curved aluminum tube frame with expanding spigots
- Easy to store and ship
- Quick to set up
- Kit includes: one frame, one dye-sublimated zipper pillowcase graphic, and two wheeled molded OCH2 storage cases (base packs separately).
- Lifetime hardware warranty against manufacturer defects

dimensions:

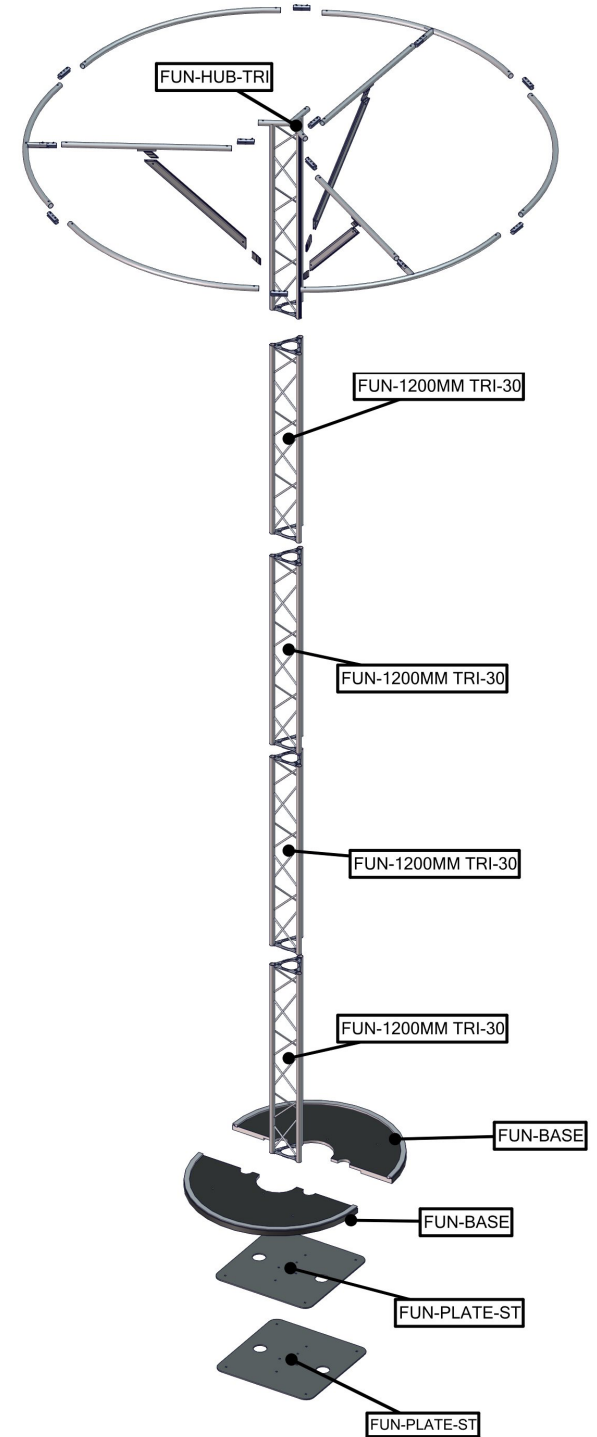
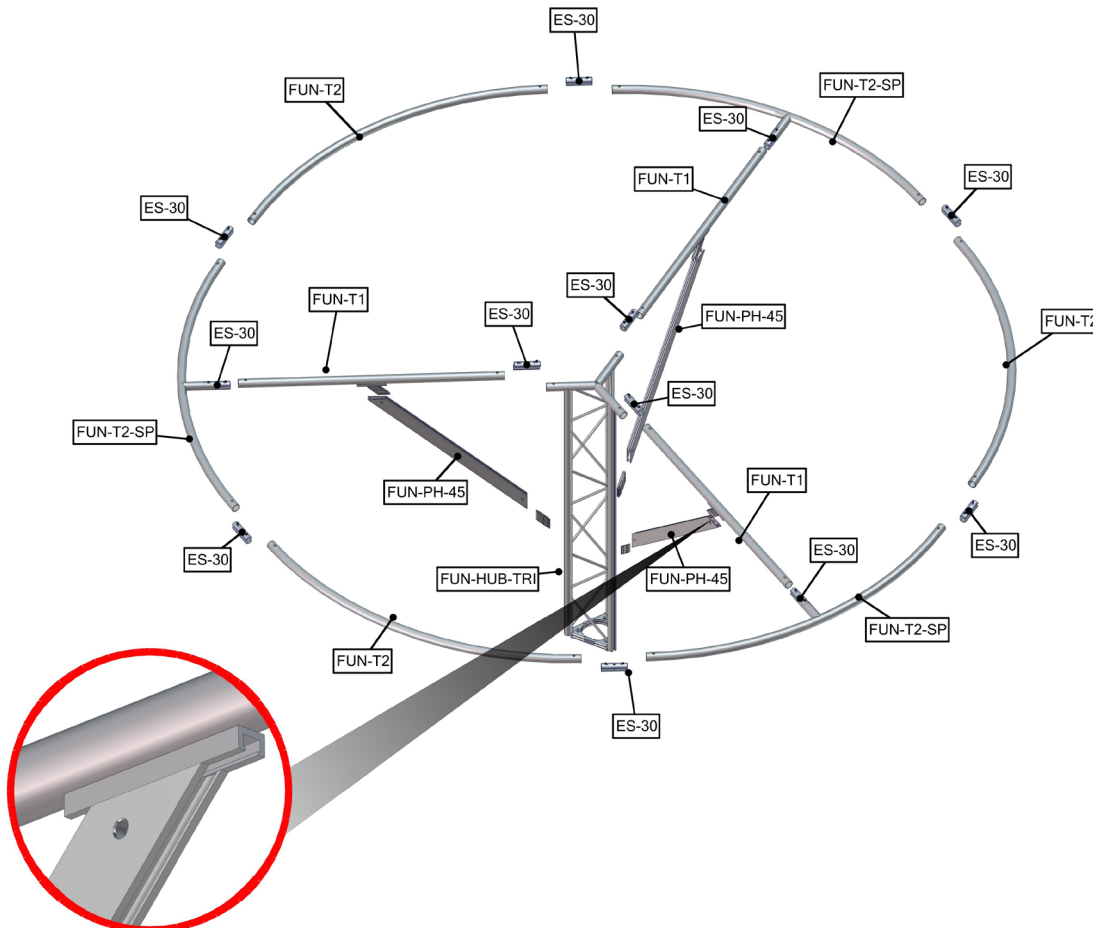
Hardware	Graphic
Assembled unit: 237" h x 42" dia (base) to 98.5" dia. (top) 6020mm(h) x 1067mm(dia.) to 2502mm(dia.) Approximate weight (includes graphic): 172 lbs / 78 kg	Total visual area: 96.87" w x 246.92" h, three prints 2460.5mm(w) x 6272mm(h) Please be sure to include 5" bleed around the perimeter.
Shipping Shipping dimensions: 2 OCH2 cases (each case): 52" l x 30" w x 15" h 1321mm(l) x 762mm(w) x 381mm(h) Approximate shipping weight (with cases): 232 lbs / 105 kg	

additional information:

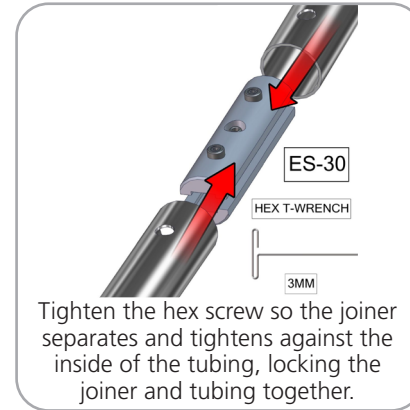
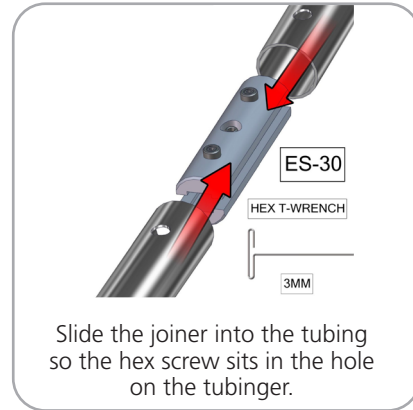
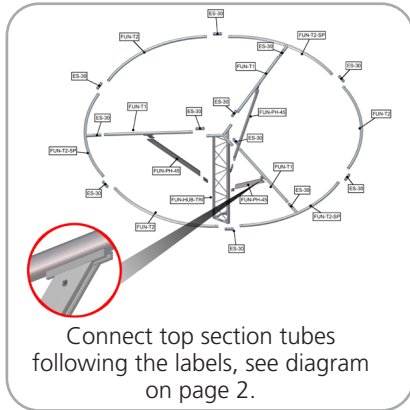
Graphic material:
 dye-sublimated zipper pillowcase graphic with opaque liner

Parts Included

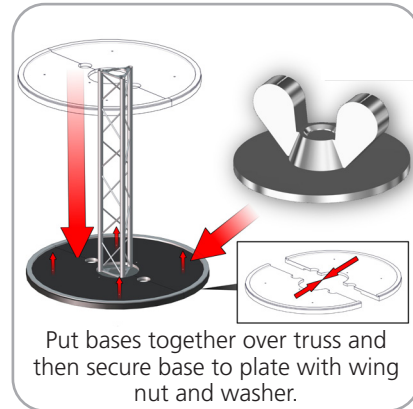
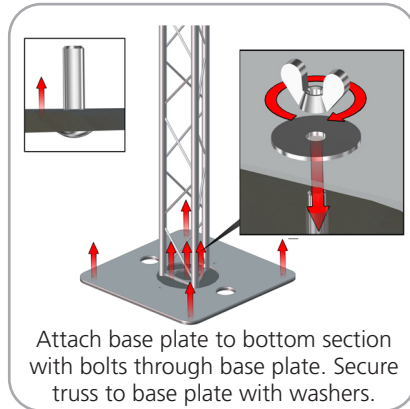
Part Label	Qty	Part Code
EXPANDING SPIGOT FOR 30MM TUBE	x12	ES-30
1200MM TRI-30 TRUSS	x4	FUN-1200MM TRI-30
(2) PCS BASE WITH FC RING	x1	FUN-BASE
24" X 24" X 1/4" STEEL BASE PLATE	x2	FUN-PLATE-ST
775MM PH 45 DEG. LOCKS BOTH ENDS	x3	FUN-PH-45
30MM X 916MM SPREADER TUBE WITH PE	x3	FUN-T1
30MM X 5' CURVED TUBE WITH SPREADER	x3	FUN-T2-SP
30MM X 5' CURVED TUBE	x3	FUN-T2
1200MM LENGTH OF TRILOCK TRUSS HUB WITH CHANNELS	x1	FUN-HUB-TRI



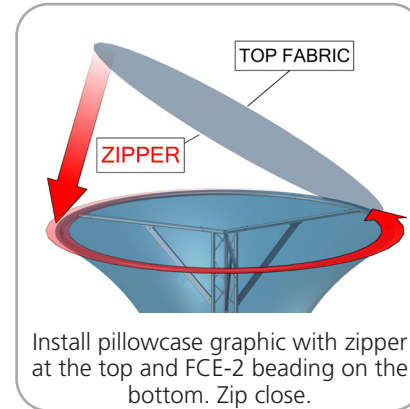
STEP 1: ASSEMBLE FRAME



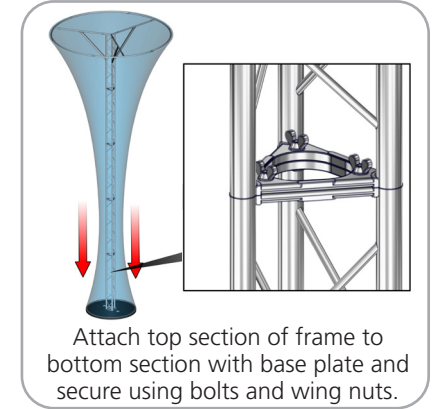
STEP 2: ATTACH BASE



STEP 3: ATTACH GRAPHIC



STEP 4: ATTACH TRUSS



STEP 5: ATTACH GRAPHIC

