

Formulate 16' Funnel

FUN-02

Formulate™ Funnels transform any environment through form, fabric and lighting. Funnels feature a heavy-duty, wooden base and silver powder coated truss interior to create a dynamic, towering structure that commands attention. Fabric graphics feature a zipper at the top and a silicone edge at the bottom for easy assembly. Accent LED light kits are not included, but can be purchased a la carte to add a glow within the funnel structures.



features and benefits:

- State-of-the-art 30mm curved aluminum tube frame with expanding spigots
- Easy to store and ship
- Quick to set up
- Kit includes: one frame, one dye-sublimated zipper pillowcase graphic, and two wheeled molded OCH2 storage cases (base packs separately).
- Lifetime hardware warranty against manufacturer defects

dimensions:

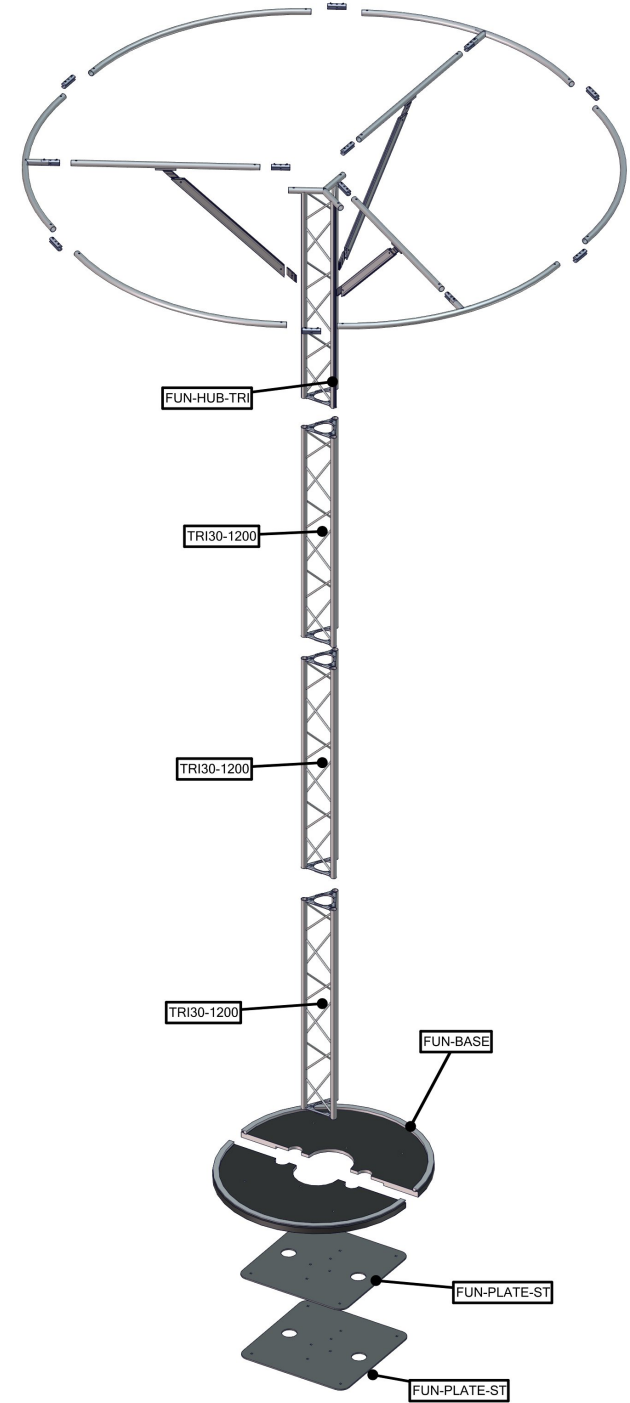
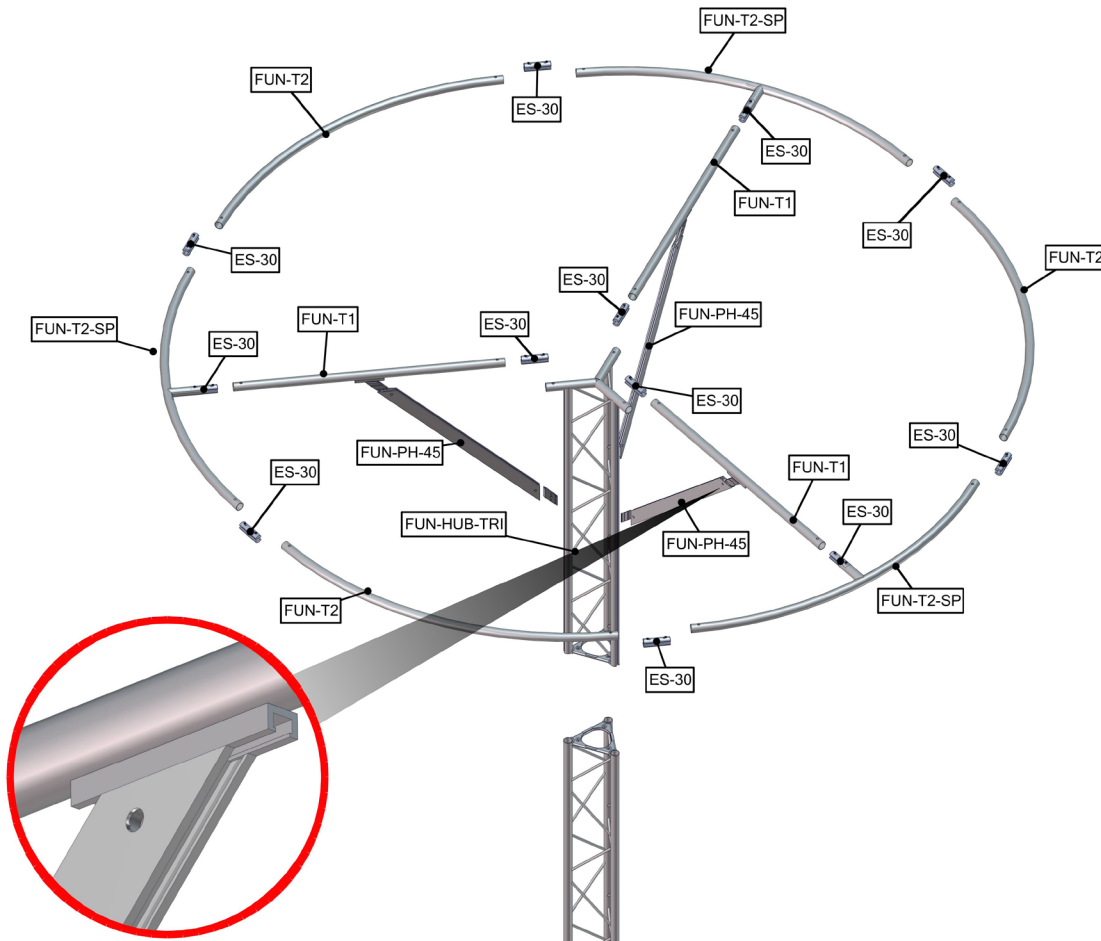
Hardware	Graphic
<p>Assembled unit: 188.415" h x 42" dia (base) to 98.5" dia. (top) 4786mm(h) x 1067mm(dia) to 2502mm(dia)</p> <p>Approximate weight (includes graphic): 159.5 lbs / 72 kg</p>	<p>Total visual area: 95.21" w x 200" h, three prints 2418mm(w) x 5080mm(h)</p> <p>Please be sure to include 5" bleed around the perimeter.</p>
Shipping	
<p>Shipping dimensions: 2 OCH2 cases (each case): 52" l x 30" w x 15" h 1321mm(l) x 762mm(w) x 381mm(h)</p> <p>Approximate shipping weight (with cases): 219.5 lbs / 100 kg</p>	

additional information:

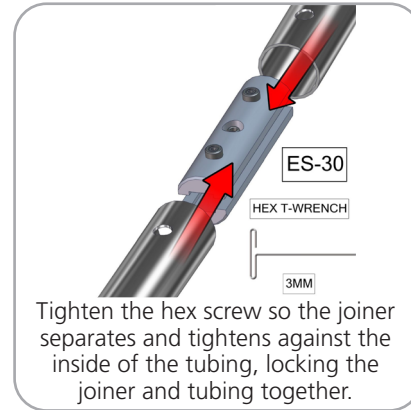
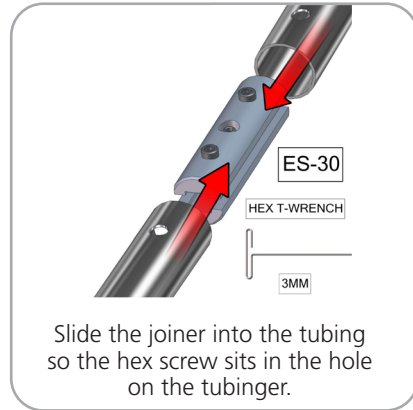
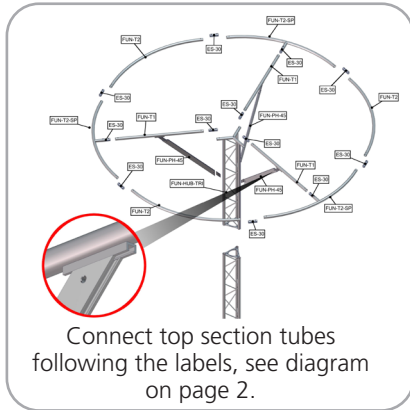
Graphic material:
dye-sublimated zipper pillowcase graphic with opaque liner

Parts Included

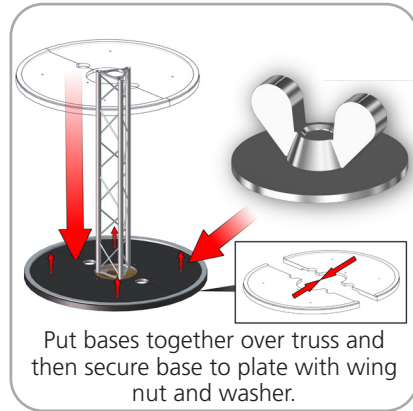
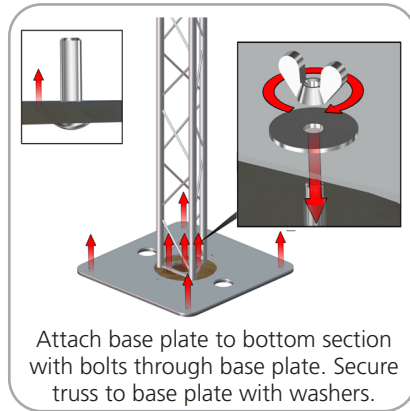
Part Label	Qty	Part Code
EXPANDING SPIGOT FOR 30MM TUBE	x12	ES-30
(2) PCS BASE WITH FC RING	x1	FUN-BASE
24" X 24" X 1/4" STEEL BASE PLATE	x2	FUN-PLATE-ST
775MM PH 45 DEG. LOCKS BOTH ENDS	x3	FUN-PH-45
30MM X 916MM SPREADER TUBE WITH PE	x3	FUN-T1
30MM X 5' CURVED TUBE WITH SPREADER	x3	FUN-T2-SP
30MM X 5' CURVED TUBE	x3	FUN-T2
1200MM LENGTH OF TRILOK TRUSS HUB WITH CHANNELS	x1	FUN-HUB-TRI
1200MM LENGTH OF TRILOK TRUSS	x3	TRI30-1200



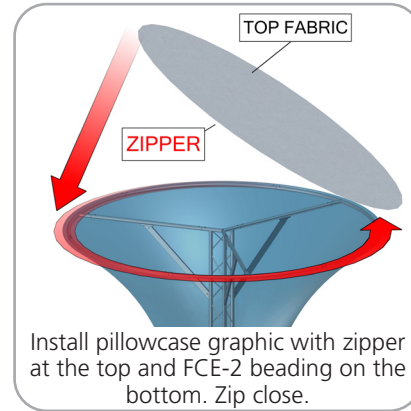
STEP 1: ASSEMBLE FRAME



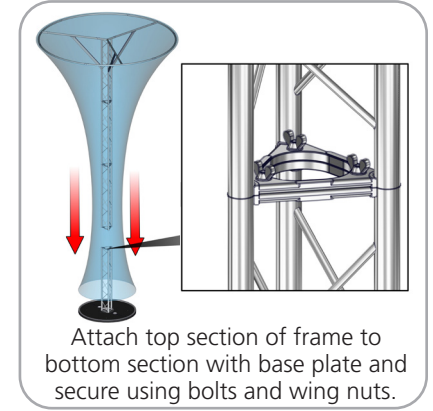
STEP 2: ATTACH BASE



STEP 3: ATTACH GRAPHIC



STEP 4: ATTACH TRUSS



STEP 5: ATTACH GRAPHIC

