

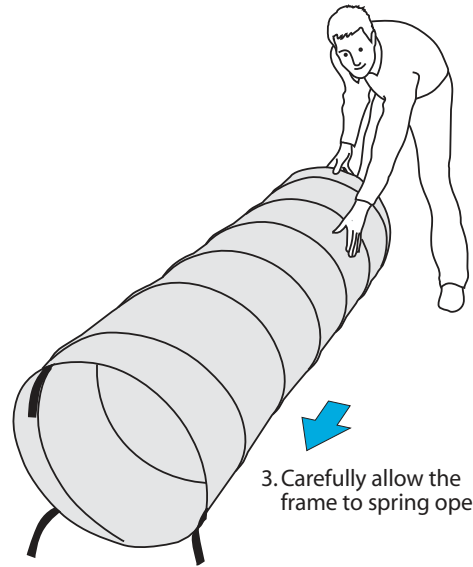
DisplayTunnel Set-up Instruction



1. Open the carry bag and remove the display



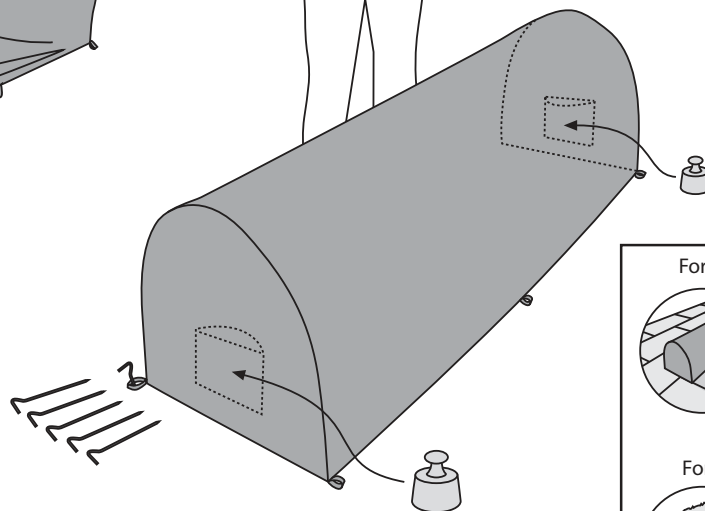
2. While holding the closed, display, begin to undo the Velcro straps holding the display closed.



3. Carefully allow the frame to spring open

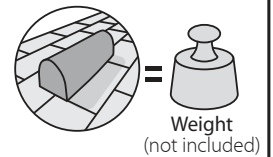


4. Slip the graphic panel over the frame of the display



5. Secure in place. If used on hard surfaces, use weighted object(s) in the internal pockets or placed inside the frame. When used on soft surfaces, use the included ground stakes and insert them into the loops sewn on the graphic.

For Hard Surfaces



For Soft Surfaces

