

# Formulate 10' Vertical Curve - Kit 4

FMLT-WV10-04

Formulate™ is a collection of sophisticated, ergonomically designed exhibit booths. Formulate combines state-of-the-art zipper pillowcase dye-sublimated fabric coverings with advanced lightweight aluminum structures to provide unique design, functionality, and style. The excellence of the Formulate line of displays, hanging structures and products is simply unmatched. Stretch fabric graphics are hand-sewn, durable and dry-cleanable.



We are continually improving and modifying our product range and reserve the right to vary the specifications without prior notice. All dimensions and weights quoted are approximate and we accept no responsibility for variance. E&OE. See Graphic Templates for graphic bleed specifications.

## features and benefits:

- State-of-the-art 30mm aluminum tube frame with snap button assembly
- Features 20" wide counter
- Lifetime hardware warranty against manufacturer defects
- Kit includes: one frame, one dye-sublimated zipper pillowcase graphic, one Lumina 8-50 watt spot lights, 4ft graphic header, stand-off counter ladder, and one wheeled molded OCL and OCH2 storage case

## dimensions:

Hardware	Graphic
<p>Assembled unit: 114"w x 95.15"h x 38.5"d</p> <p>Stand-off counter: 23.6"w x 92.7"h x 21.2"d 4ft Header: 47.25"w x 11.8125"h</p> <p>Approximate weight (includes graphics): 64.43 lbs / 29.22 kg</p>	<p>Total visual area: 114"w x 94.5"h</p> <p>4ft. graphic header total visual area: 47.25"w x 11.8125"h</p> <p>Stand-off graphic total visual area: Top: 21"w x 17.5"h Bottom: 21"w x 38.6875"h</p>
<p>Shipping</p> <p>Shipping dimensions - ships in two cases: One OCL case: 19"l x 19"w x 56"h One OCH2 case: 52"l x 30"w x 15"h</p> <p>Approximate shipping weight (with cases): 106.43 lbs / 48.3 kg</p>	<p>Please be sure to include a 2" bleed around the perimeter.</p> <p>Refer to related graphic template for more information.</p>

## additional information:

Graphic materials:  
Dye-sublimated zipper pillowcase fabric,  
3mm white PVC, 6mm white PVC

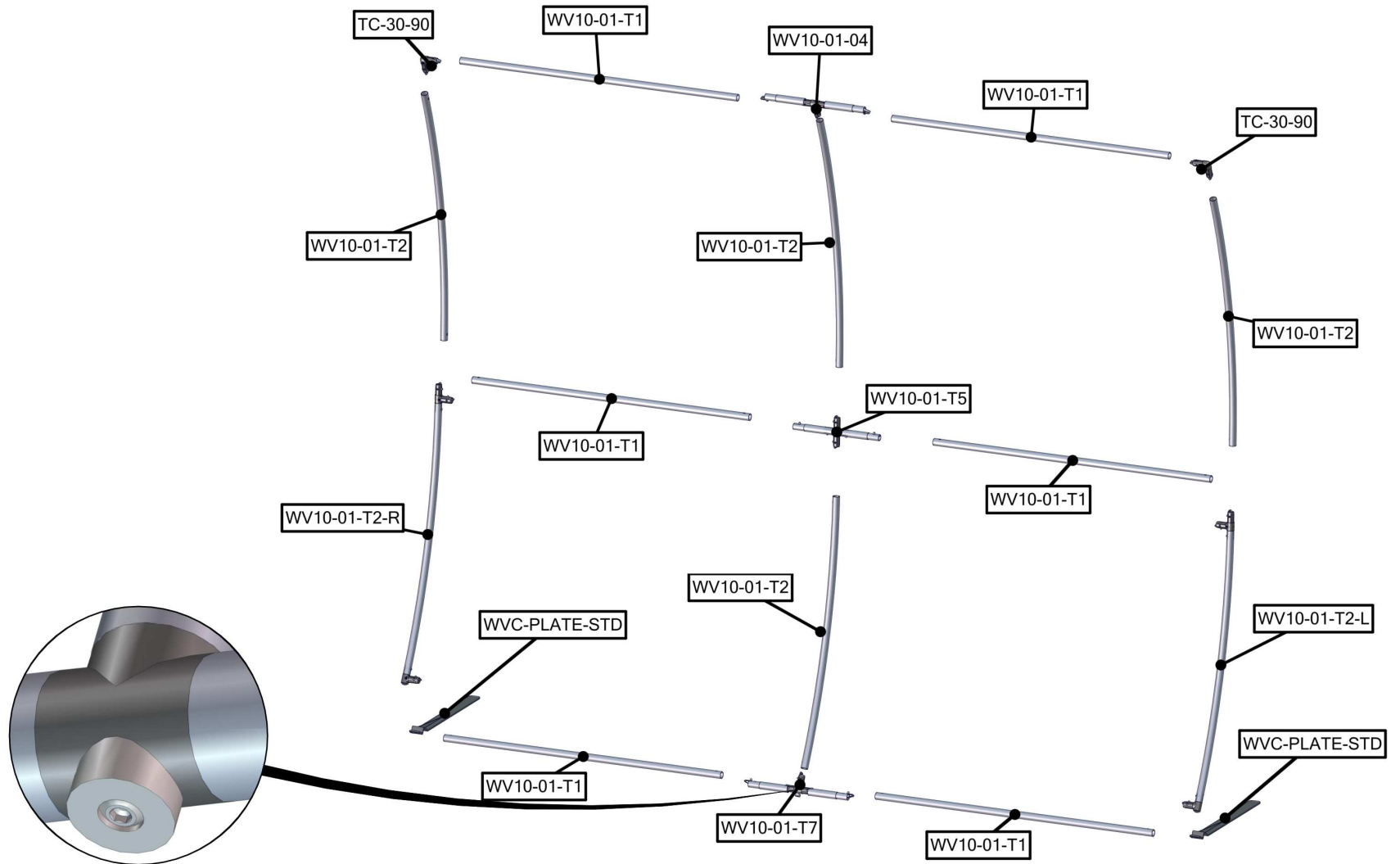
Countertop holds max 10 lbs / 4.5 kg

Table colors:



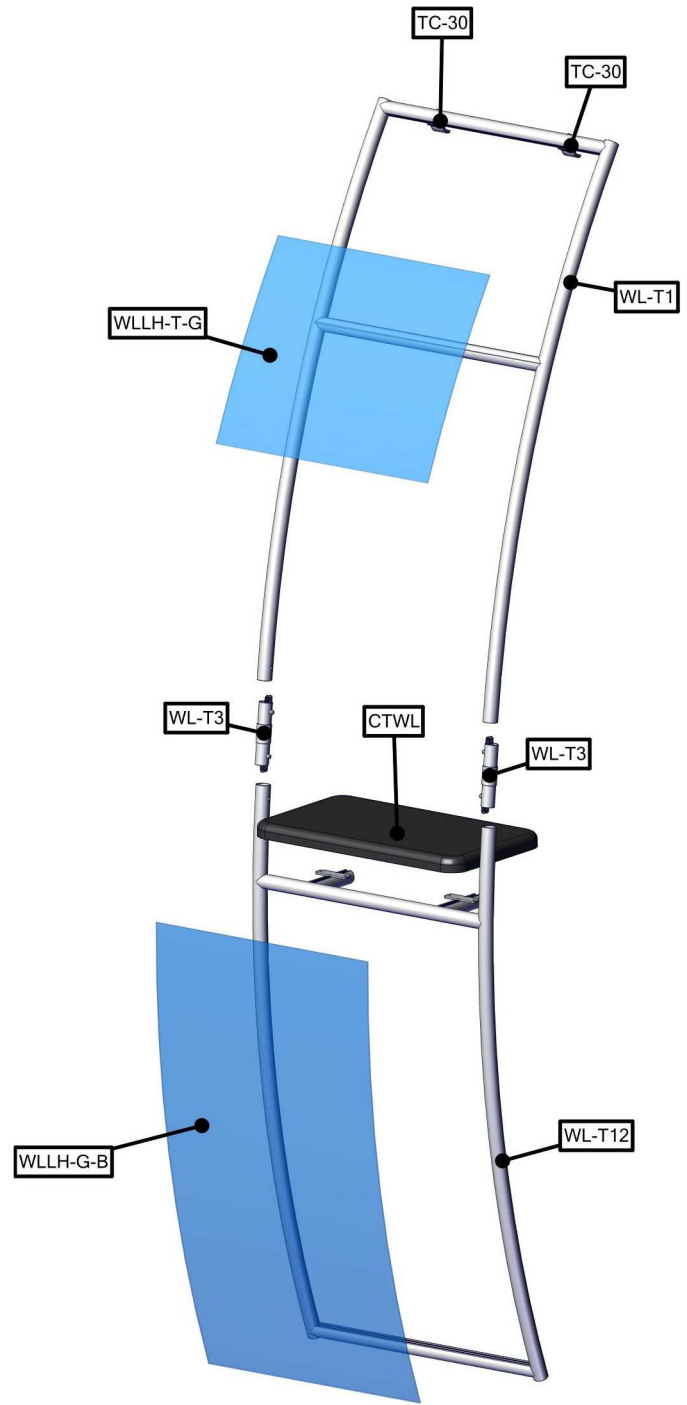
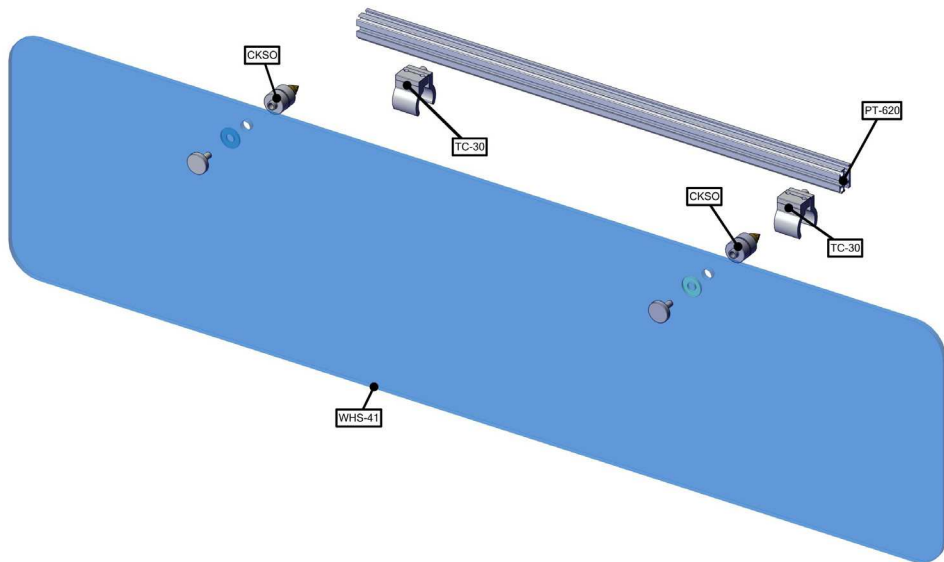
silver black mahogany natural

Parts Included		
Part Label	Qty	Part Code
FABRIC GRAPHIC	x1	WV10-01-G
LN114 BOLT	x2	LN114 BOLT
90 DEGREE ELBOW JOINT FOR 30MM TUBING	x2	TC-30-90
1270MM X 30MM TUBE	x6	WV10-01-T1
30MM CURVED TUBE WITH PART T AND 90B LEFT SIDE	x1	WV10-01-T2-L
30MM CURVED TUBE WITH PART T AND 90B RIGHT SIDE	x1	WV10-01-T2-R
R2250 (1163MM ARC) CURVED TUBE	x4	WV10-01-T2
(2) 128MM TUBES SWAGED WITH PART TC-30-T	x2	WV10-01-T7
(2) 128MM TUBES SWAGED WITH PART TC-30-X	x1	WV10-01-T5
STEEL PLATE FOR WVC	x2	WVC-PLATE-STD

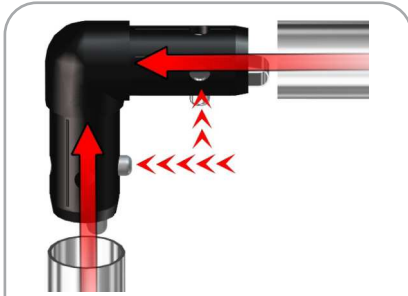


Parts Included		
Part Label	Qty	Part Code
520 X 300 X 30 COUNTER	x1	CTWL03
SILVER ANOXIZE FINISH 30MM TUBE CLAMP	x2	TC-30-30
30MM TUBE SECTION	x2	WL-T3
30MM TUBE SECTION	x1	WL-T12
30MM TUBE SECTION	x1	WL-T1
TOP SINTRA GRAPHIC	x1	WLLH-T-G
BOTTOM SINTRA GRAPHIC	x1	WLLH-G-B

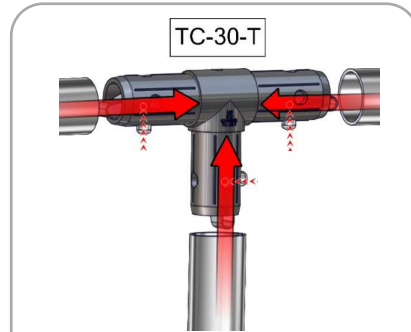
Parts Included – 4ft		
Part Label	Qty	Part Code
CKSO STAND OFF WITH NT1	x2	CKSO
SILVER ANODIZE FINISH 30MM TUBE CLAMP	x2	TC-30
48.25"W X 12.8136"H GRAPHIC	x1	WHS-41
620MM LENGTH OF PT EXTRUSION	x1	PT-620



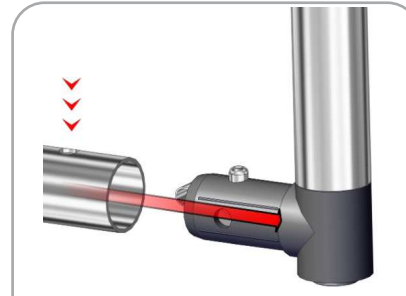
## STEP 1: ASSEMBLE FRAME



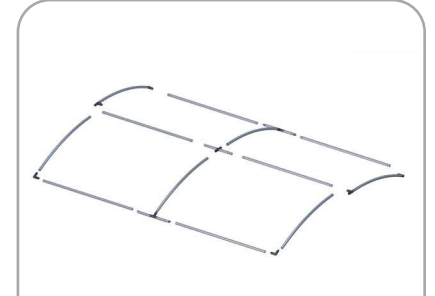
Assemble top frame corners using TC-30-90. Label codes will be on backside of tube. It is best to assemble frame laying flat.



Connect sides of frame by lining up holes with snap buttons.

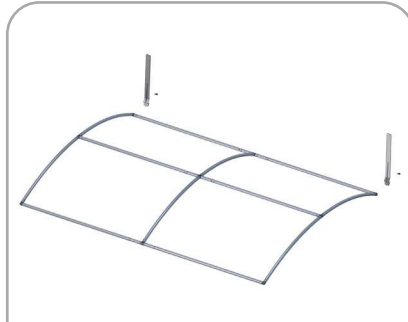


Use TC-30-90B to connect bottom frame corners; snap on button.

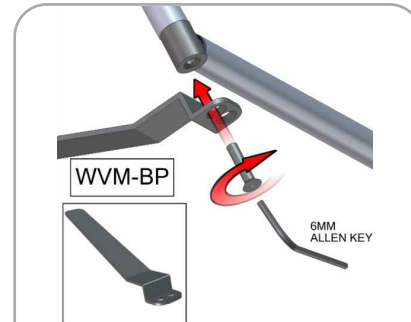


Frame assembly is complete once all sides and middle are connected.

## STEP 2: ATTACH FEET

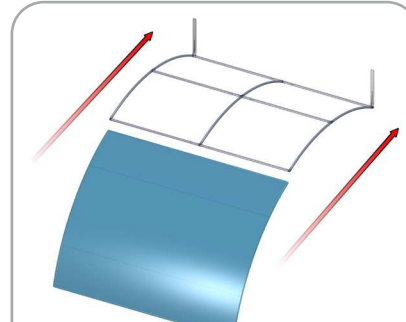


Attach feet with Allen key. See next step for detailed view.

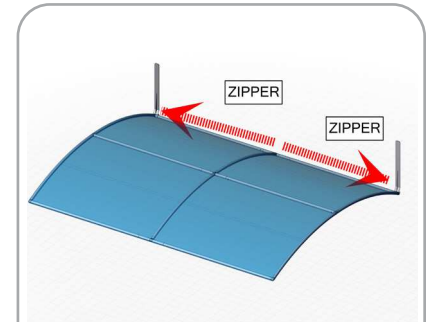


Using provided allen key, secure both feet (WVM-BP) to bottom of frame by tightening bolt.

## STEP 3: ATTACH GRAPHIC

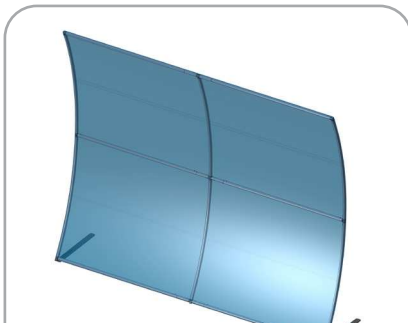


Slide graphic over top of frame.

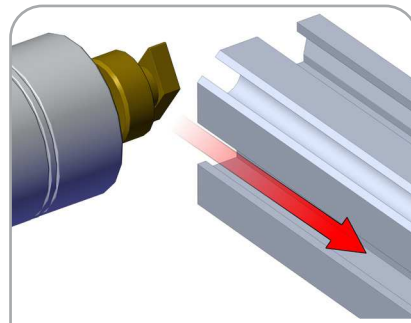


Zip fabric closed as shown along bottom.

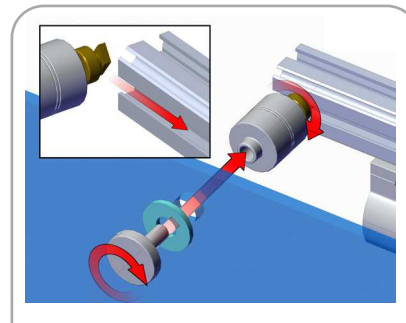
## STEP 4: ATTACH STAND-OFF



Stand unit upright.

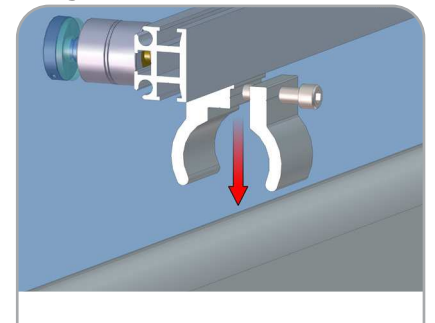


Before attaching to graphic, slide end of stand off (CKSO) into extrusion. Repeat for other stand-off(s).

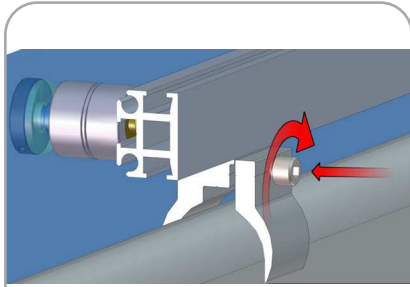


Attach graphic to stand-offs and extrusion with washer & other end of stand-off. Turn clockwise to secure.

## STEP 5: ATTACH TO BACKWALL



Once graphic is attached to stand-offs and extrusion, position tube clamps (TC-30) onto backwall.

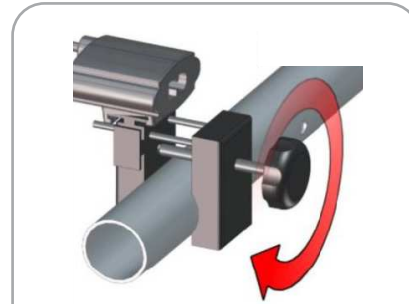


Using hex key turn bolt clockwise to tighten tube clamps, securing graphic header to backwall.

### STEP 6: ATTACH LIGHTS

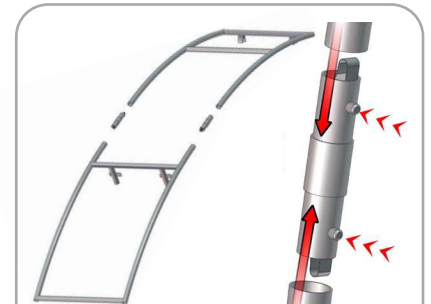


Slide light onto universal clamp.



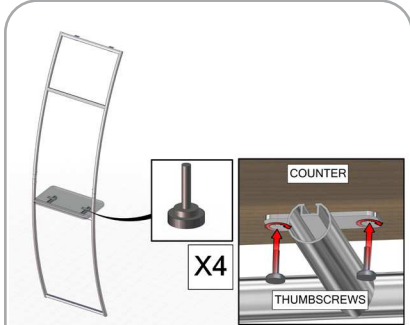
Attach clamp with light on top of the frame (after fabric graphic). Turn clockwise to tighten.

### STEP 7: ASSEMBLE STAND-OFF LADDER FRAME



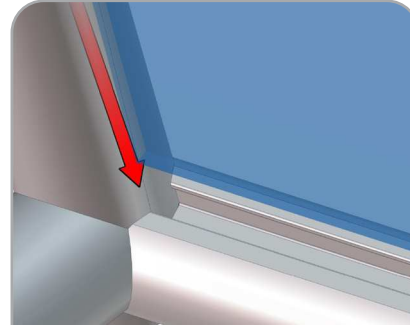
Connect top of accent frame to bottom using WL-T3 by pressing snap buttons.

### STEP 8: ATTACH COUNTER TO LADDER



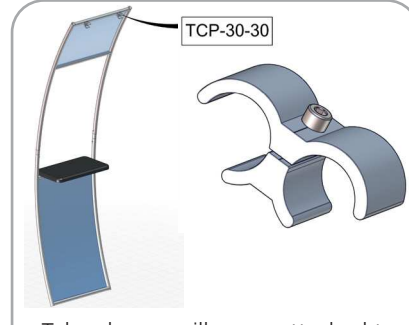
Use thumbscrews to attach counter to hardware.

### STEP 9: ATTACH STAND-OFF LADDER GRAPHICS

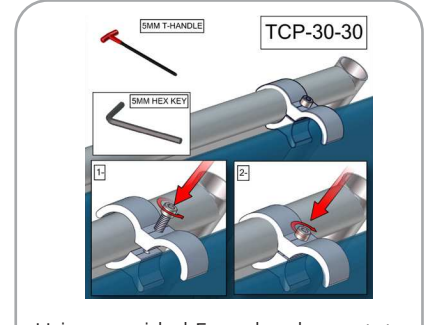


Slide infill panels into channels.

### STEP 10: ATTACH LADDER TO BACKWALL WITH CLAMPS



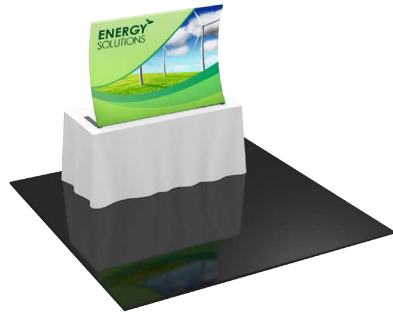
Tube clamps will come attached to frame. Position accent in front of backwall in desired location.



Using provided 5mm hex key, rotate bolt clockwise to secure accent to top of fabric backwall.

# Check out these related products:

The Formulate line is a collection of stylish, ergonomically designed tabletop, 8ft, 10ft, 20ft exhibits, hanging structures, and display accessories. Formulate combines state-of-the-art zipper pillowcase dye-sublimated fabric coverings with a premium lightweight aluminum structure. Formulate is efficient, easy to assemble and disassemble, and offers remarkable style options and choices.



Formulate Tabletops



Formulate 8ft Kits



Formulate 10ft Kits  
(Horizontal Curve)



Formulate 10ft Kits  
(Vertical Curve)



Formulate 10ft Kits  
(Straight)



Formulate 20ft Kits



Formulate Hanging Structures