

Formulate 10' Vertical Curve - Kit 2

FMLT-WV10-02

Formulate™ is a collection of sophisticated, ergonomically designed exhibit booths. Formulate combines state-of-the-art zipper pillowcase dye-sublimated fabric coverings with advanced lightweight aluminum structures to provide unique design, functionality, and style. The excellence of the Formulate line of displays, hanging structures and products is simply unmatched. Stretch fabric graphics are hand-sewn, durable and dry-cleanable.



features and benefits:

- State-of-the-art 30mm aluminum tube frame with snap button assembly
- Easy to store and ship
- Four laminate color options available
- Countertop holds max 10 lbs / 4.5 kg
- Kit includes: one frame, one dye-sublimated zipper pillowcase graphic, 6ft. graphic header, left mounted counter, and one wheeled molded OCL storage case
- Lifetime hardware warranty against manufacturer defects

dimensions:

Hardware	Graphic
<p>Assembled unit: 117.7" w x 94.45" h x 34.5" d</p> <p>6ft header: 70.875" w x 11.8125" h</p> <p>Countertop dimensions: 20.5" w x 1.2" h x 11.8" d</p> <p>Approximate weight (includes graphics): 52.83 lbs / 24 kg</p>	<p>Total visual area: 114" w x 94.5" h</p> <p>6ft. graphic header total visual area: 70.875" w x 11.8125" h</p> <p>Please be sure to include a 2" bleed around the perimeter.</p> <p>Refer to related graphic template for more information.</p>
<p>Shipping</p> <p>Shipping dimensions: One OCL case: 19" l x 19" w x 56" h</p> <p>Approximate shipping weight (with case): 86.63 lbs / 39.3 kg</p>	

additional information:

Graphic materials:
Dye-sublimated zipper pillowcase fabric,
6mm white PVC

- Countertop holds max 10 lbs / 4.5 kg

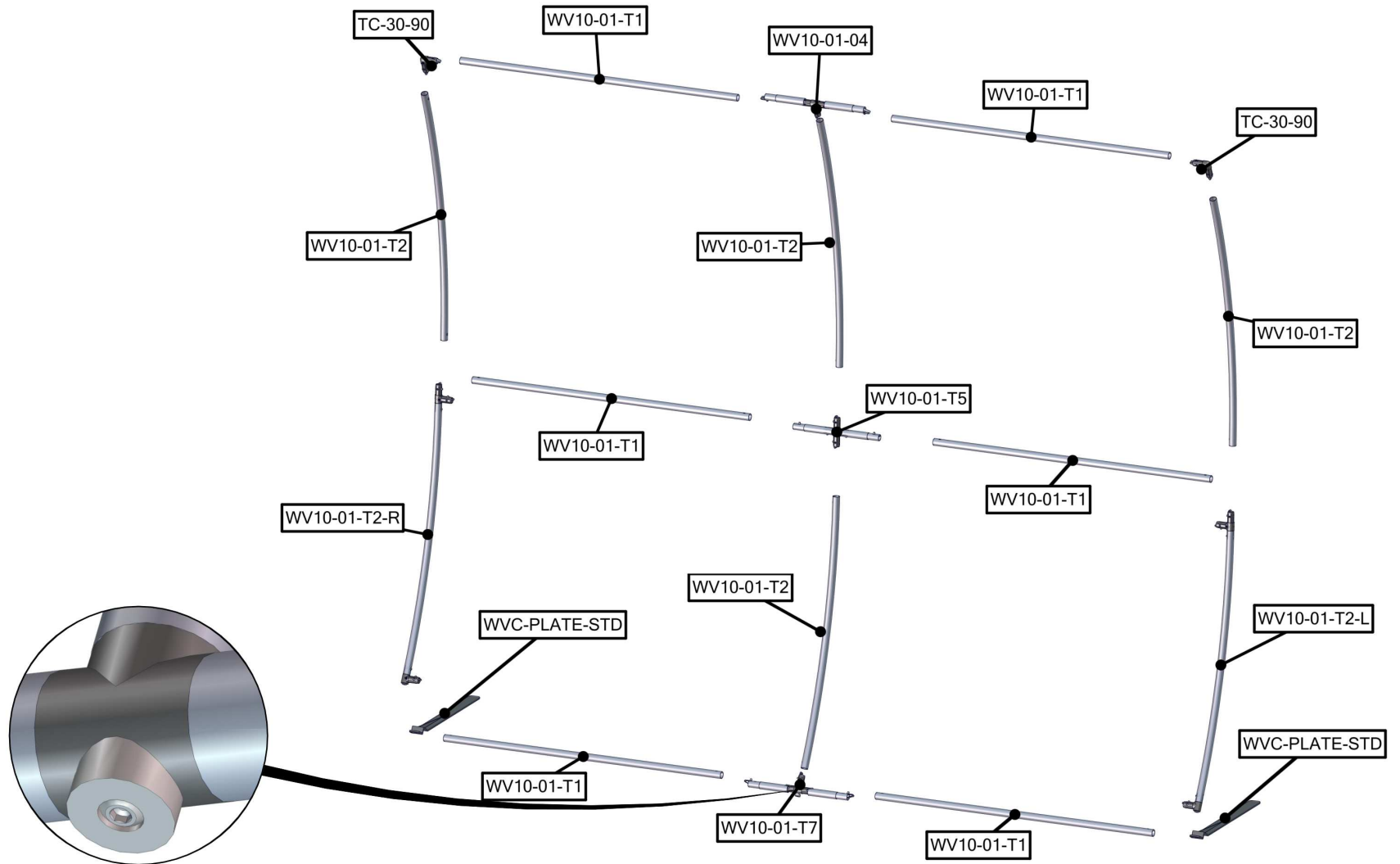
Table colors:



silver black mahogany natural

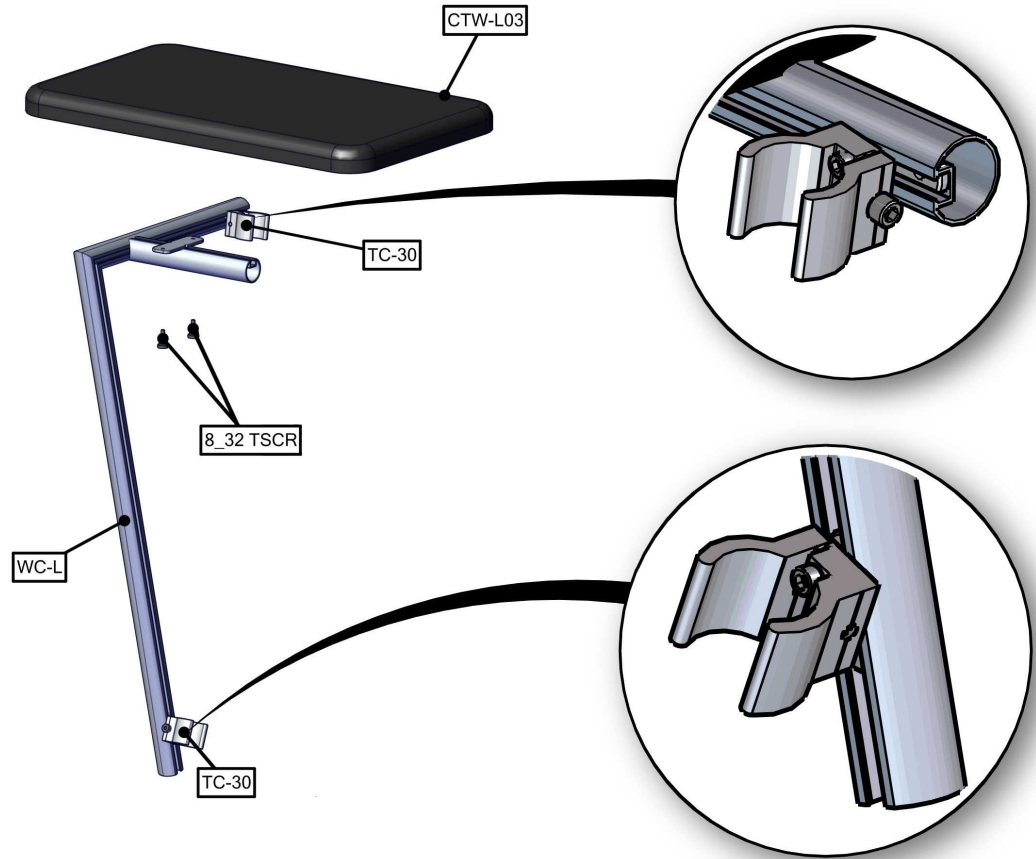
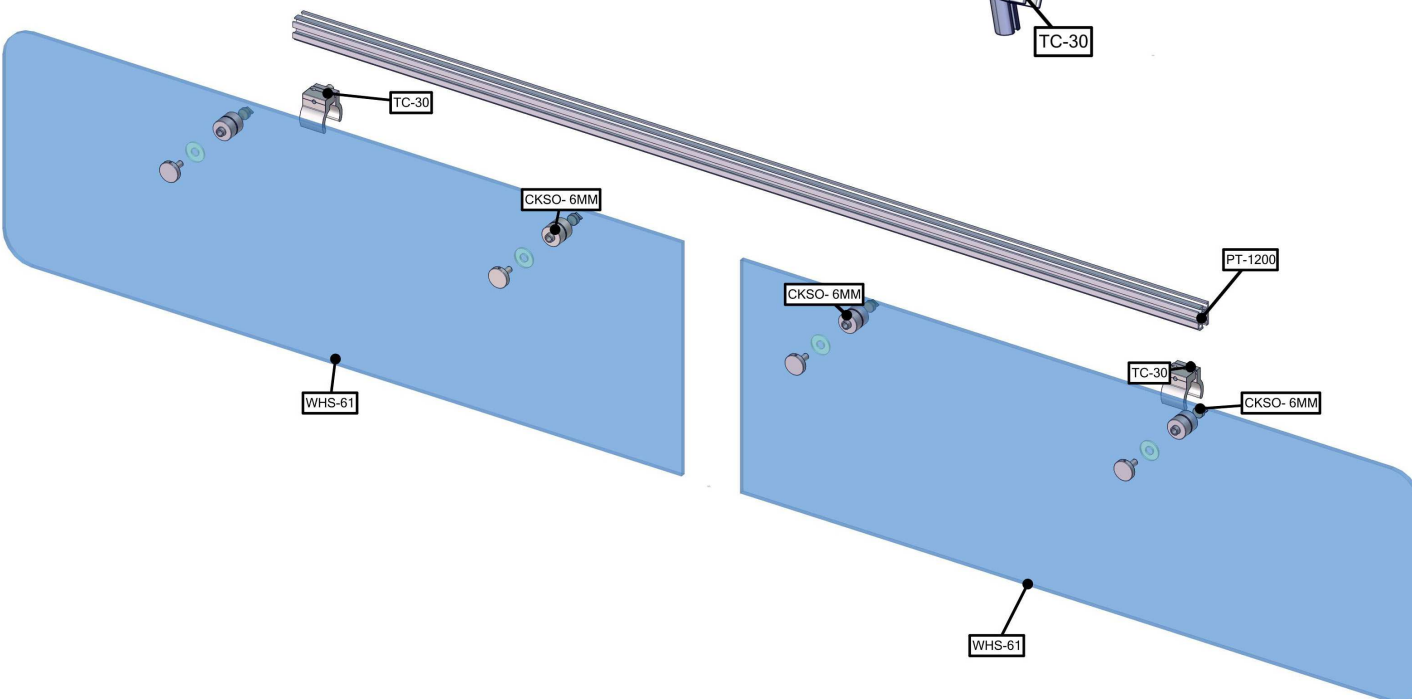
We are continually improving and modifying our product range and reserve the right to vary the specifications without prior notice. All dimensions and weights quoted are approximate and we accept no responsibility for variance. E&OE. See Graphic Templates for graphic bleed specifications.

Parts Included		
Part Label	Qty	Part Code
FABRIC GRAPHIC	x1	WV10-01-G
LN114 BOLT	x2	LN114 BOLT
90 DEGREE ELBOW JOINT FOR 30MM TUBING	x2	TC-30-90
1270MM X 30MM TUBE	x6	WV10-01-T1
30MM CURVED TUBE WITH PART T AND 90B LEFT SIDE	x1	WV10-01-T2-L
30MM CURVED TUBE WITH PART T AND 90B RIGHT SIDE	x1	WV10-01-T2-R
R2250 (1163MM ARC) CURVED TUBE	x4	WV10-01-T2
(2) 128MM TUBES SWAGED WITH PART TC-30-T	x2	WV10-01-T7
(2) 128MM TUBES SWAGED WITH PART TC-30-X	x1	WV10-01-T5
STEEL PLATE FOR WVC	x2	WVC-PLATE-STD

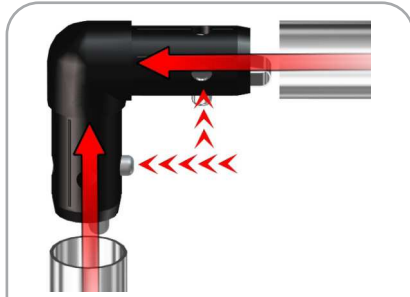


Parts Included - Mounter Counter		
Part Label	Qty	Part Code
8/32 THUMB SCREW	x2	8_32_TSCR
520 X 300 X 30 COUNTER	x1	CTW_L03
SILVER ANODIZE FINISH 30MM TUBE CLAMP	x2	TC-30
MOUNTED TABLE TOP WITH SUPPORT BRACKET LEFT OR RIGHT SIDE	x1	WC-L OR WC-R

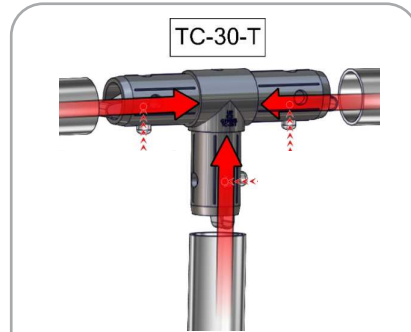
Parts Included - 6ft Header		
Part Label	Qty	Part Code
CKSO STAND OFF WITH NT1	x4	CKSO
SILVER ANODIZE FINISH 30MM TUBE CLAMP	x2	TC-30
35.43"W X 12.8139"H GRAPHIC	x2	WHS-61
1200MM LENGTH OF PT EXTRUSION	x1	PT-1200



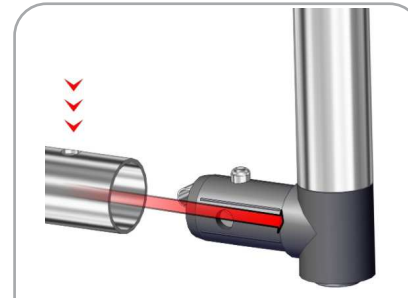
STEP 1: ASSEMBLE FRAME



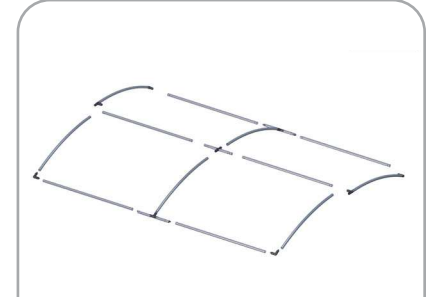
Assemble top frame corners using TC-30-90. Label codes will be on backside of tube. It is best to assemble frame laying flat.



Connect sides of frame by lining up holes with snap buttons.

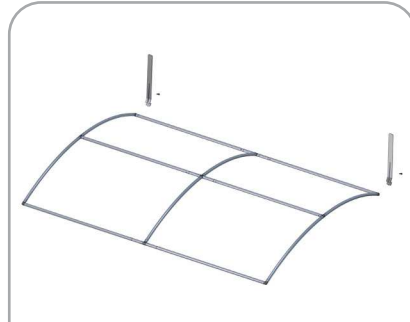


Use TC-30-90B to connect bottom frame corners; snap on button.

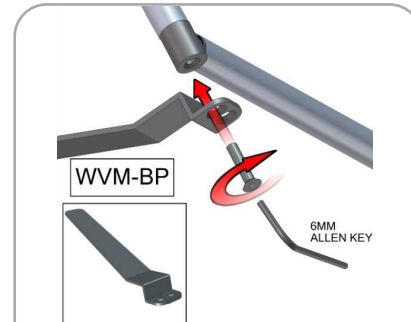


Frame assembly is complete once all sides and middle are connected.

STEP 2: ATTACH FEET

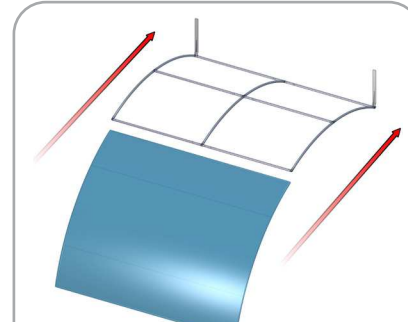


Attach feet with Allen key. See next step for detailed view.

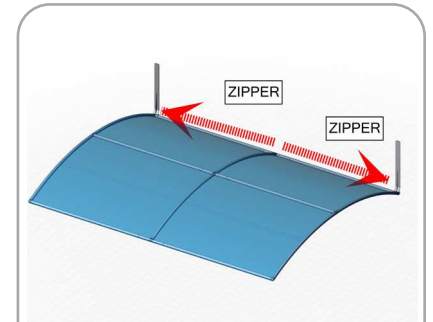


Using provided allen key, secure both feet (WVM-BP) to bottom of frame by tightening bolt.

STEP 3: ATTACH GRAPHIC

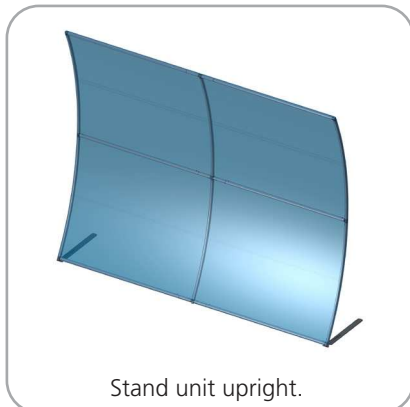


Slide graphic over top of frame.

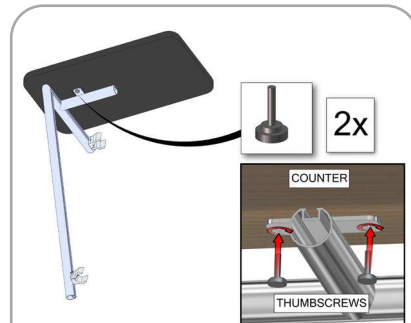


Zip fabric closed as shown along bottom.

STEP 4: ATTACH COUNTER TO HARDWARE

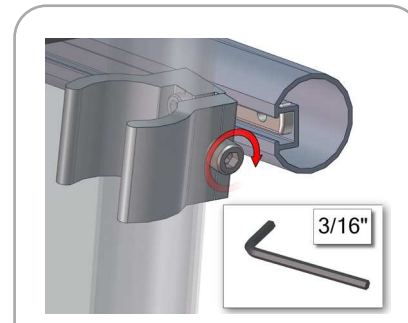


Stand unit upright.



Install counter to mounting tube with 8/32" thumb screws, repeat for second screw.

STEP 5: ATTACH COUNTER TO BACKWALL

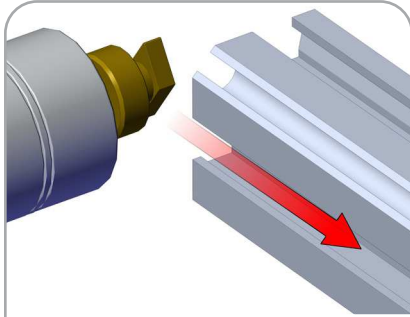


Secure tube clamp TC-30 around backwall at desired height and tighten with 3/16" hex key tool.

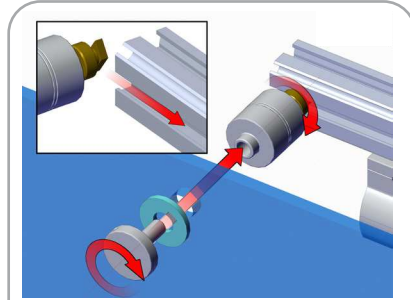


Secure second tube clamp TC-30 around backwall and tighten with 3/16" hex key tool.

**STEP 6: ATTACH HEADER
STAND-OFF TO BACKWALL**

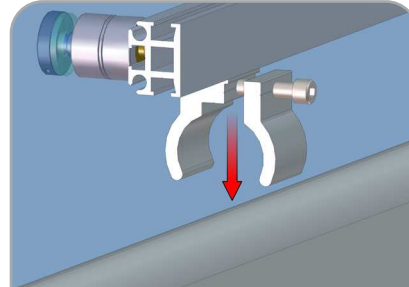


Before attaching to graphic, slide end of stand off (CKSO) into extrusion. Repeat for other stand-off(s).

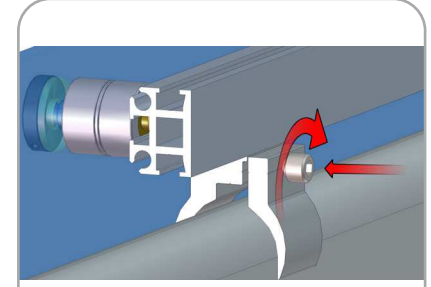


Attach graphic to stand-offs and extrusion with washer & other end of stand-off. Turn clockwise to secure.

**STEP 7: ATTACH HEADER
TO BACKWALL**



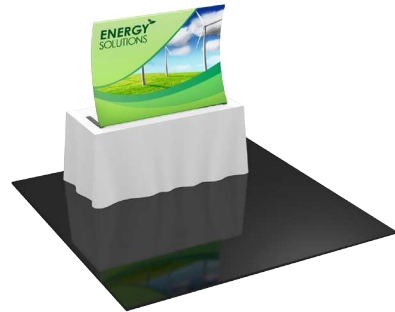
Once graphic is attached to stand-offs and extrusion, position tube clamps (TC-30) onto backwall.



Using hex key turn bolt clockwise to tighten tube clamps, securing graphic header to backwall.

Check out these related products:

The Formulate line is a collection of stylish, ergonomically designed tabletop, 8ft, 10ft, 20ft exhibits, hanging structures, and display accessories. Formulate combines state-of-the-art zipper pillowcase dye-sublimated fabric coverings with a premium lightweight aluminum structure. Formulate is efficient, easy to assemble and disassemble, and offers remarkable style options and choices.



Formulate Tabletops



Formulate 8ft Kits



Formulate 10ft Kits
(Horizontal Curve)



Formulate 10ft Kits
(Vertical Curve)



Formulate 10ft Kits
(Straight)



Formulate 20ft Kits



Formulate Hanging Structures