

# Formulate 10' Straight - Kit 7

## FMLT-WS10-07

Formulate™ is a collection of sophisticated, ergonomically designed exhibit booths. Formulate combines state-of-the-art zipper pillowcase dye-sublimated fabric coverings with advanced lightweight aluminum structures to provide unique design, functionality, and style. The excellence of the Formulate line of displays, hanging structures and products is simply unmatched. Stretch fabric graphics are hand-sewn, durable and dry-cleanable.



## features and benefits:

- State-of-the-art 30mm aluminum tube frame with snap button assembly
- Easy to store and ship
- Quick to set up
- Kit includes: one frame, one dye-sublimated zipper pillowcase graphic, stand-off pillowcase graphic ladder, and one wheeled molded OCL storage case
- Lifetime hardware warranty against manufacturer defects

## dimensions:

Hardware	Graphic
Assembled unit: 116" w x 93" h x 27.9" d	Total visual area: 114" w x 91.5" h
Stand-off pillowcase ladder: 23.6" w x 92.7" h x 17.7" d	Pillowcase graphic ladder: 23.6" w x 97" h
Approximate weight (includes graphics): 45 lbs / 20.36 kg	Please be sure to include a 2" bleed around the perimeter.
Shipping	Refer to related graphic template for more information.
Shipping dimensions - ships in two cases: 1 OCL case: 19" l x 19" w x 56" h	
Approximate shipping weight (with cases): 65 lbs / 29.5 kg	

## additional information:

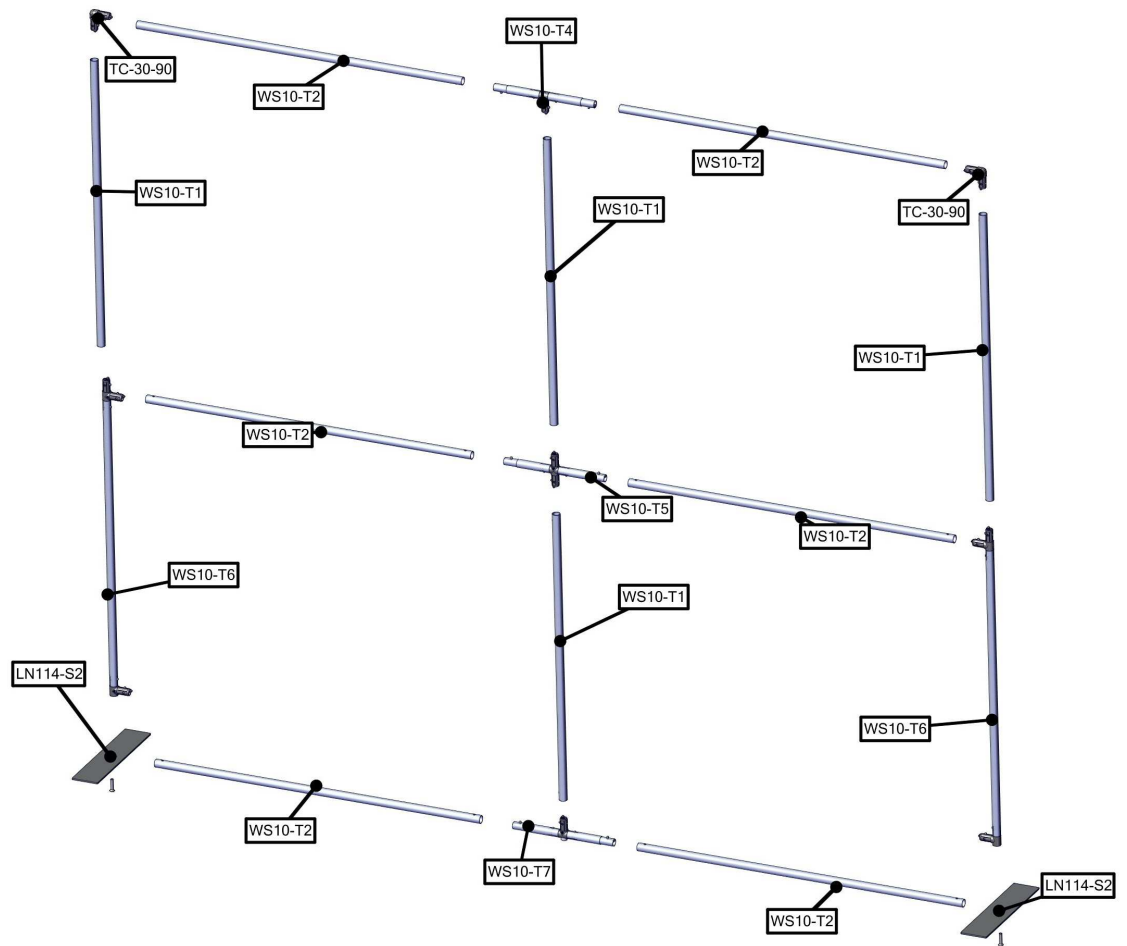
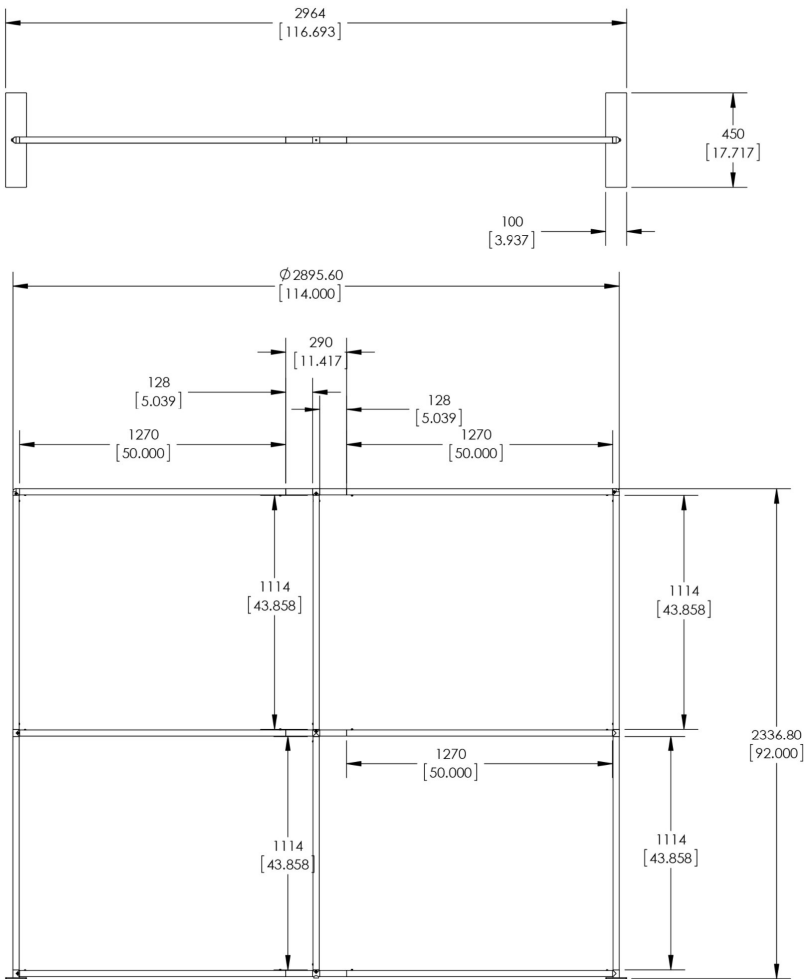
Graphic material:  
Dye-sublimated zipper pillowcase fabric

Optional accessories:  
Lumina 8-50 watt halogen lighting, literature pocket, graphic header, larger freight cases

We are continually improving and modifying our product range and reserve the right to vary the specifications without prior notice. All dimensions and weights quoted are approximate and we accept no responsibility for variance. E&OE. See Graphic Templates for graphic bleed specifications.

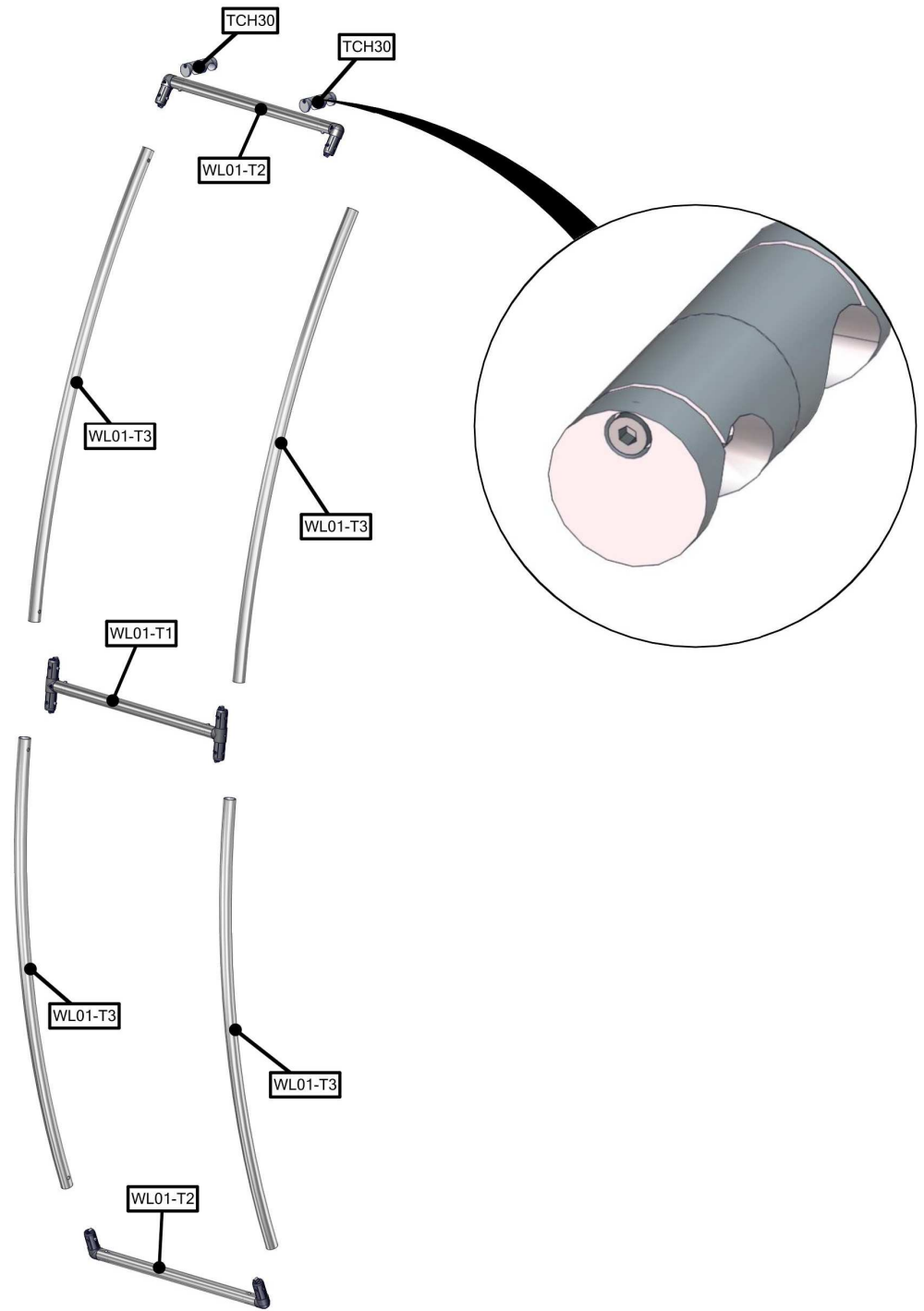
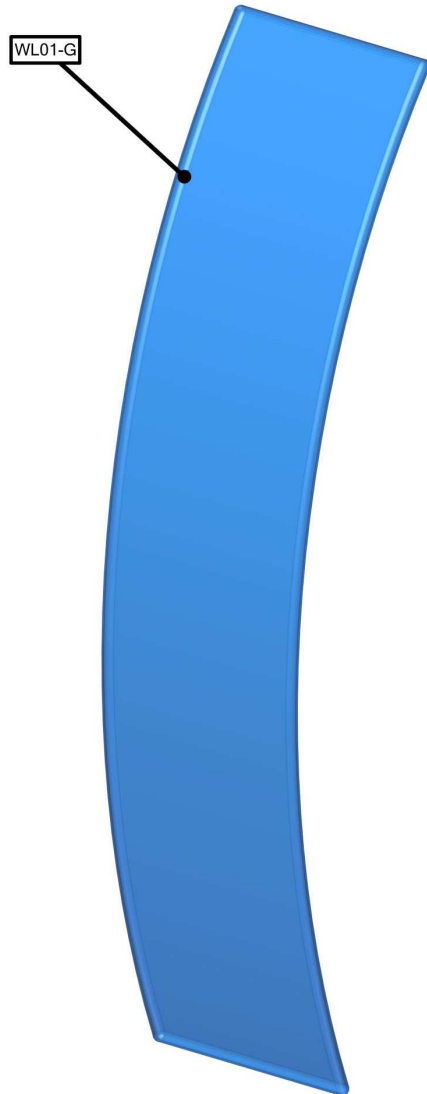
### Parts Included – Backwall

Part Label	Qty	Part Code
5MM STEEL BASE STYLE 2 FOR LINEAR	x2	LN114-S2
90 DEGREE ELBOW JOINT FOR 30MM TUBING	x2	TC-30-90
1114MM X 30MM TUBE	x4	WS10-T1
1270MM X 30MM TUBE	x6	WS10-T2
(2) 128MM TUBES SWAGED WITH PART TC-30-T	x1	WS10-T4
(2) 128MM TUBES SWAGED WITH PART TC-30-X	x1	WS10-T5
1114MM X 30MM TUBE WITH TC-30-T AND TC-30-90B	x2	WS10-T6
(2) 128MM TUBES SWAGED WITH PART TC-30-T	x1	WS10-T7

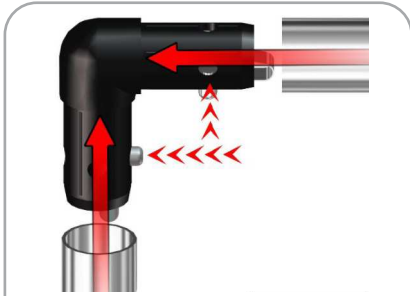


Parts Included – Ladder

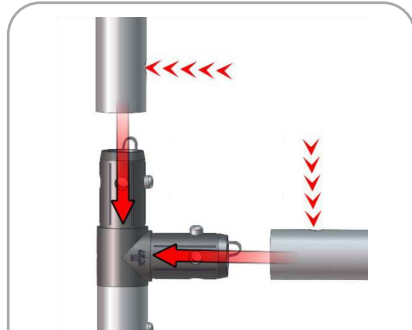
Part Label	Qty	Part Code
FABRIC PILLOWCASE GRAPHIC	x1	WL01-G
BACKWALL CONNECT WITH (2) TCH30 BACK TO BACK	x2	TCH30
535MM X 30MM TUBE WITH PART TC-30-T BOTH ENDS	x1	WL01-T1
535MM X 30MM TUBE WITH (2) TC-30-90T	x2	WL01-T2
R2000MM X 30MM TUBE (97MM ARC)	x4	WL01-T3



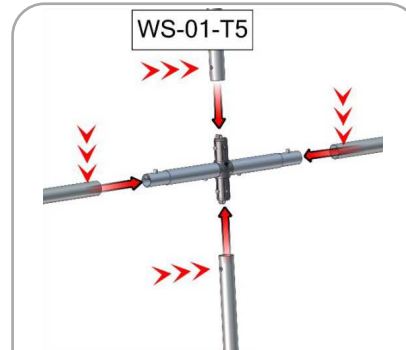
## STEP 1: ASSEMBLE FRAME



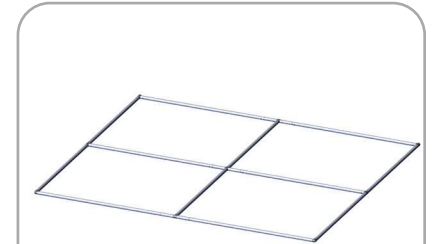
Assemble frame corners using TC-30-90. Label codes will be on backside of tube. It is best to assemble frame laying flat.



Connect sides of frame by lining up holes with snap buttons.



Use WS-01-T5 to connect frame in the middle; snap on button.

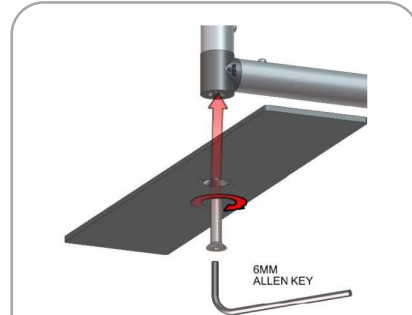


Frame is complete.

## STEP 2: ATTACH FEET

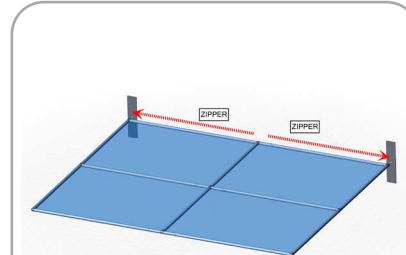


Once frame is connected attach feet. It is best to assemble with frame still laying flat.



Use provided allen key, secure feet to bottom of frame by screwing bolt.

## STEP 3: ATTACH GRAPHIC

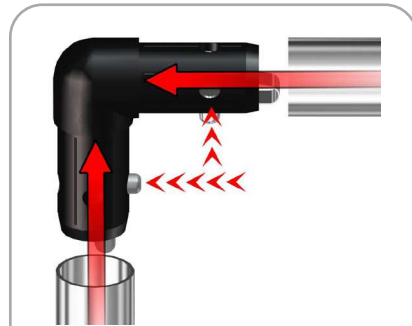
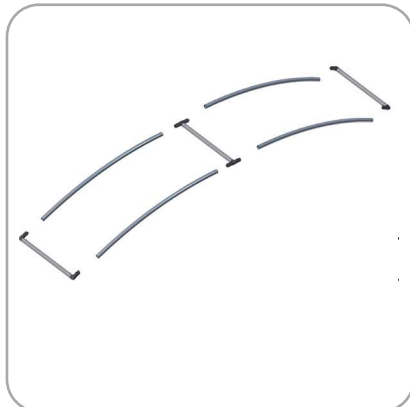


Slide graphic over top end of frame. Zip fabric closed on bottom.

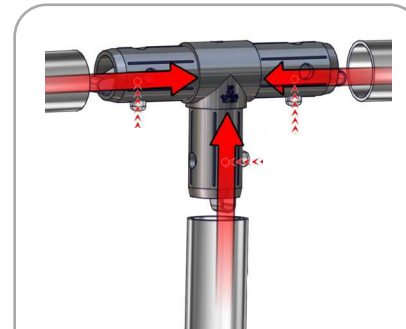


Stand unit upright.

## STEP 4: ASSEMBLE LADDER FRAME

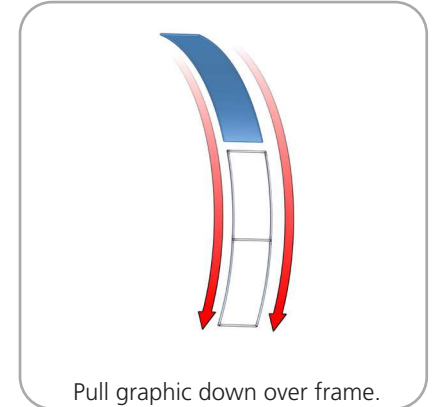


Connect bottom and top tubes to side tubes following the labels.



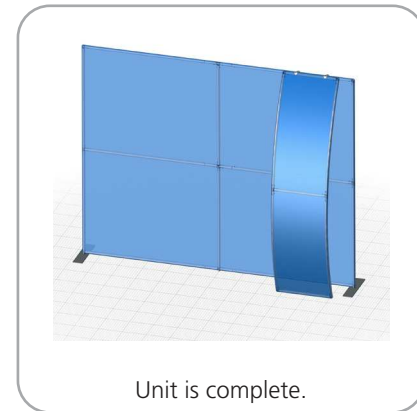
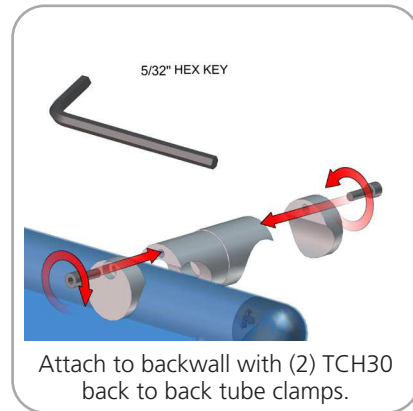
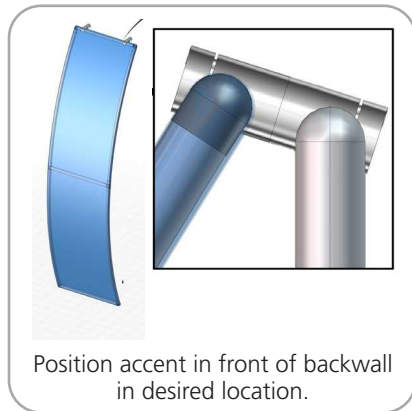
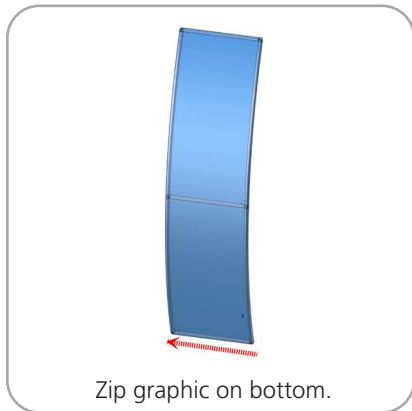
Then connect WL01-T1 middle spreader to sides.

## STEP 5: ATTACH GRAPHICS



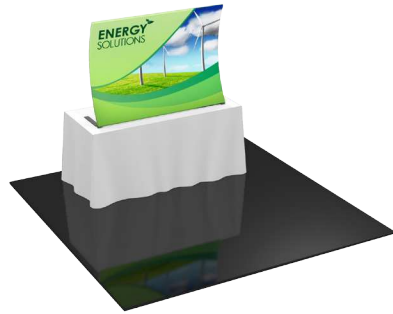
Pull graphic down over frame.

**STEP 6: ATTACH TO  
BACKWALL WITH CLAMPS**



# Check out these related products:

The Formulate line is a collection of stylish, ergonomically designed tabletop, 8ft, 10ft, 20ft exhibits, hanging structures, and display accessories. Formulate combines state-of-the-art zipper pillowcase dye-sublimated fabric coverings with a premium lightweight aluminum structure. Formulate is efficient, easy to assemble and disassemble, and offers remarkable style options and choices.



Formulate Tabletops



Formulate 8ft Kits



Formulate 10ft Kits  
(Horizontal Curve)



Formulate 10ft Kits  
(Vertical Curve)



Formulate 10ft Kits  
(Straight)



Formulate 20ft Kits



Formulate Hanging Structures