

Formulate 10' Straight - Kit 4

FMLT-WS10-04

Formulate™ is a collection of sophisticated, ergonomically designed exhibit booths. Formulate combines state-of-the-art zipper pillowcase dye-sublimated fabric coverings with advanced lightweight aluminum structures to provide unique design, functionality, and style. The excellence of the Formulate line of displays, hanging structures and products is simply unmatched. Stretch fabric graphics are hand-sewn, durable and dry-cleanable.



features and benefits:

- State-of-the-art 30mm aluminum tube frame with snap button assembly
- Easy to store and ship
- Features 20" wide counter
- Lifetime hardware warranty against manufacturer defects
- Kit includes: one frame, one dye-sublimated zipper pillowcase graphic, stand-off counter, 4ft. graphic header, one Lumina 8-50 watt spotlight, and one wheeled molded OCL and OCH2 storage case
- Countertop holds max 10 lbs / 4.5 kg

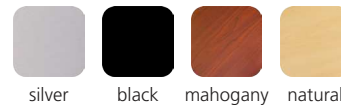
dimensions:

| Hardware | Graphic |
|---|--|
| Assembled unit: 116"w x 95"h x 29.28"d | Total visual area: 114"w x 91.5"h |
| Ladder dimensions: 23.6"w x 92.7"h x 21.2"d Counter dimensions: 20.47"w x 11.81"d | 4ft. header: 47.25"w x 11.8125"h |
| Approximate weight (includes graphics): 64.7 lbs / 29.3 kg | Stand-off graphic: Top: 21"w x 17.5"h Bottom: 21"w x 38.6875"h |
| Shipping | Refer to related graphic template for more information. |
| Shipping dimensions: 1 OCL case: 19"l x 19"w x 56"h 1 OCH2 case: 52"l x 30"w x 15"h | |
| Approximate shipping weight (with cases): 106.7 lbs / 48 kg | |

additional information:

Graphic materials:
Dye-sublimated zipper pillowcase fabric,
3mm white PVC, 6mm white PVC

Table colors:

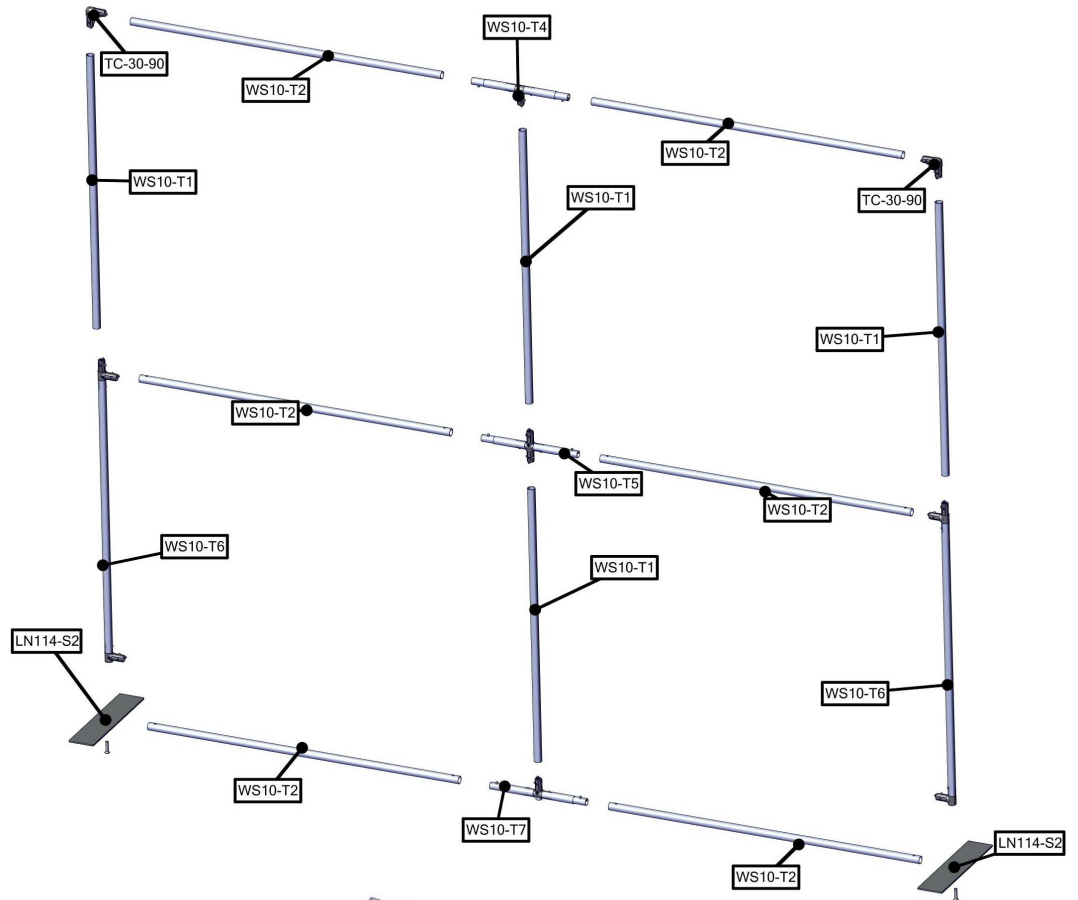


silver black mahogany natural

We are continually improving and modifying our product range and reserve the right to vary the specifications without prior notice. All dimensions and weights quoted are approximate and we accept no responsibility for variance. E&OE. See Graphic Templates for graphic bleed specifications.

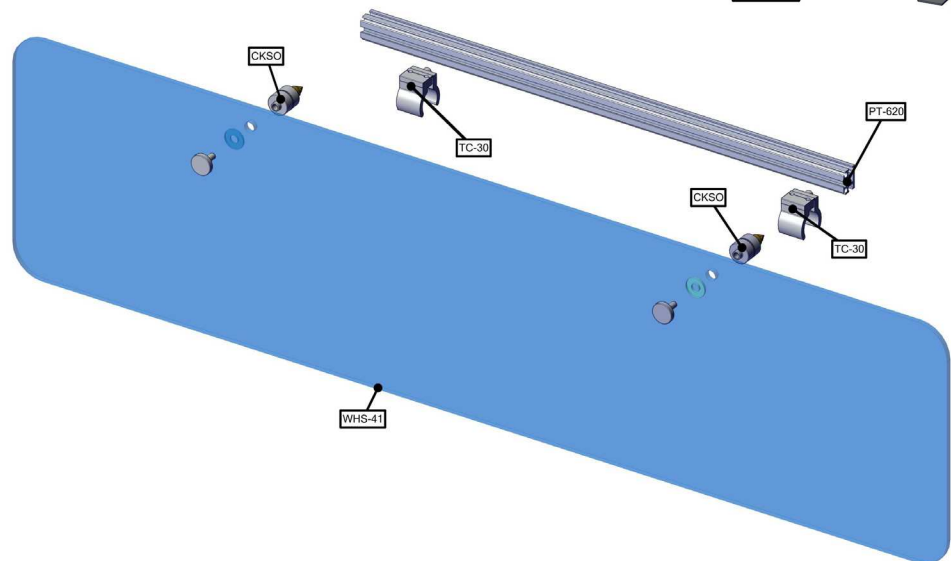
Parts Included – Backwall

| Part Label | Qty | Part Code |
|---|-----|-----------|
| 5MM STEEL BASE STYLE 2 FOR LINEAR | x2 | LN114-S2 |
| 90 DEGREE ELBOW JOINT FOR 30MM TUBING | x2 | TC-30-90 |
| 1114MM X 30MM TUBE | x4 | WS10-T1 |
| 1270MM X 30MM TUBE | x6 | WS10-T2 |
| (2) 128MM TUBES SWAGED WITH PART TC-30-T | x1 | WS10-T4 |
| (2) 128MM TUBES SWAGED WITH PART TC-30-X | x1 | WS10-T5 |
| 1114MM X 30MM TUBE WITH TC-30-T AND TC-30-90B | x2 | WS10-T6 |
| (2) 128MM TUBES SWAGED WITH PART TC-30-T | x1 | WS10-T7 |
| LUMINA 8 50 WATT SPOTLIGHT | x1 | LUM-8-C |

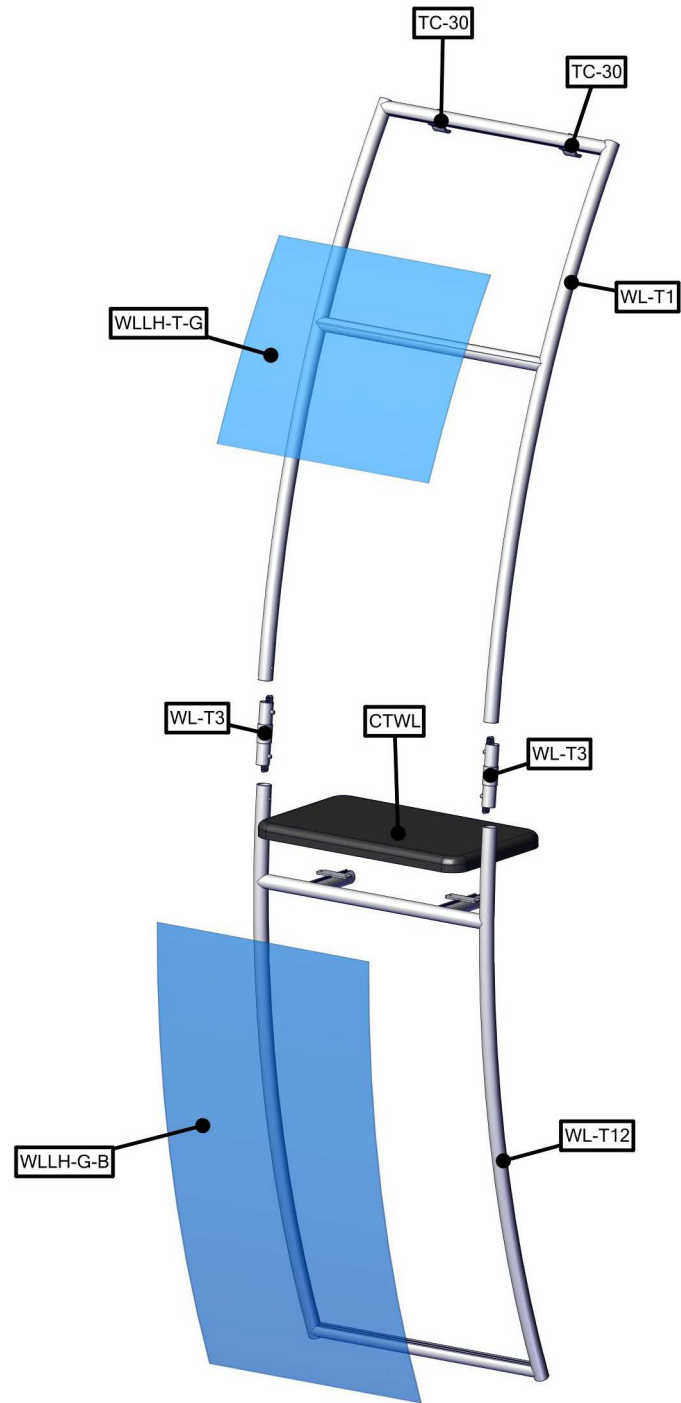


Parts Included – 4ft Header

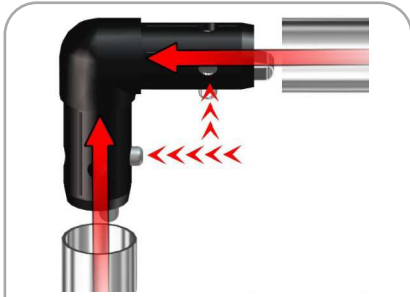
| Part Label | Qty | Part Code |
|---------------------------------------|-----|-----------|
| CKSO STAND OFF WITH NT1 | x2 | CKSO |
| SILVER ANODIZE FINISH 30MM TUBE CLAMP | x2 | TC-30 |
| 48.25"W X 12.8136"H GRAPHIC | x1 | WHS-41 |
| 620MM LENGTH OF PT EXTRUSION | x1 | PT-620 |



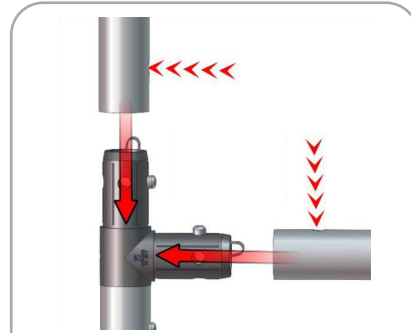
| Parts Included | | |
|---------------------------------------|-----|-----------|
| Part Label | Qty | Part Code |
| 520 X 300 X 30 COUNTER | x1 | CTWL03 |
| SILVER ANOXIZE FINISH 30MM TUBE CLAMP | x2 | TC-30-30 |
| 30MM TUBE SECTION | x2 | WL-T3 |
| 30MM TUBE SECTION | x1 | WL-T12 |
| 30MM TUBE SECTION | x1 | WL-T1 |
| TOP SINTRA GRAPHIC | x1 | WLLH-T-G |
| BOTTOM SINTRA GRAPHIC | x1 | WLLH-G-B |



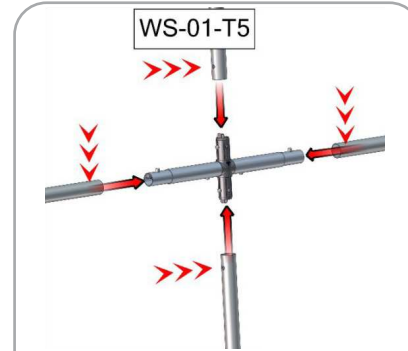
STEP 1: ASSEMBLE FRAME



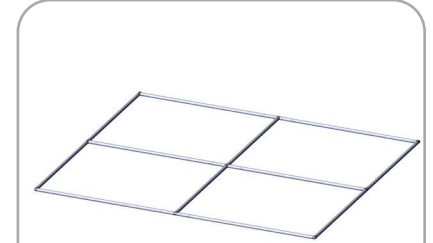
Assemble frame corners using TC-30-90. Label codes will be on backside of tube. It is best to assemble frame laying flat.



Connect sides of frame by lining up holes with snap buttons.



Use WS-01-T5 to connect frame in the middle; snap on button.

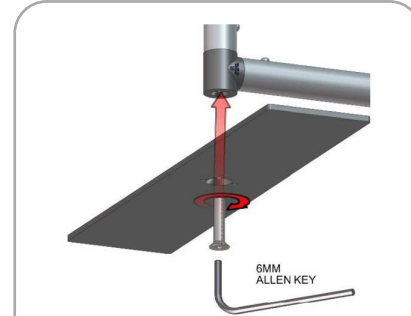


Frame is complete.

STEP 2: ATTACH FEET

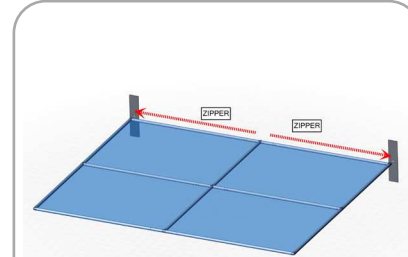


Once frame is connected attach feet. It is best to assemble with frame still laying flat.

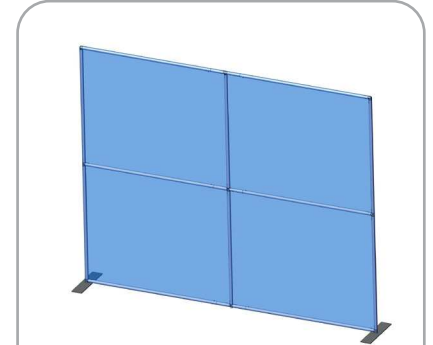


Using provided allen key, secure feet to bottom of frame by screwing bolt.

STEP 3: ATTACH GRAPHIC

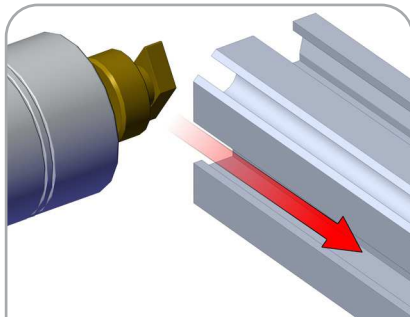


Slide graphic over top end of frame. Zip fabric closed on bottom.

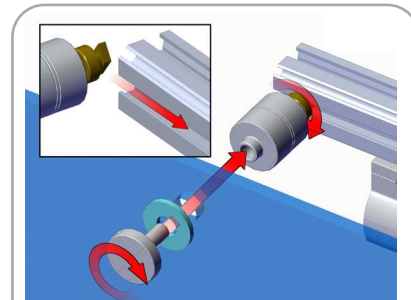


Stand unit upright.

STEP 4: ASSEMBLE HEADER STAND-OFF

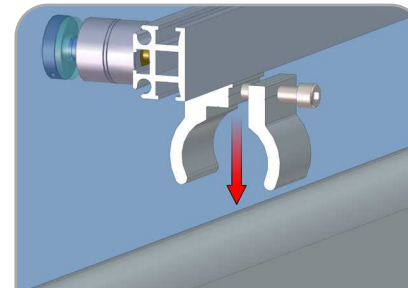


Before attaching to graphic, slide end of stand off (CKSO) into extrusion. Repeat for other stand-off(s).

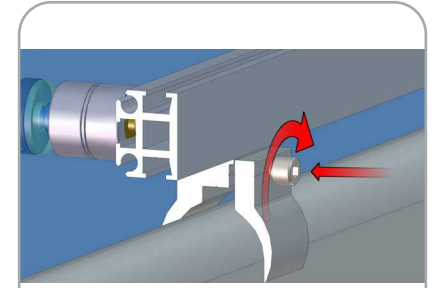


Attach graphic to stand-offs and extrusion with washer & other end of stand-off. Turn clockwise to secure.

STEP 5: ATTACH HEADER TO BACKWALL

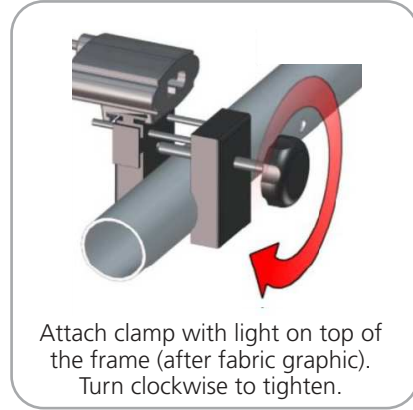


Once graphic is attached to stand-offs and extrusion, position tube clamps (TC-30) onto backwall.

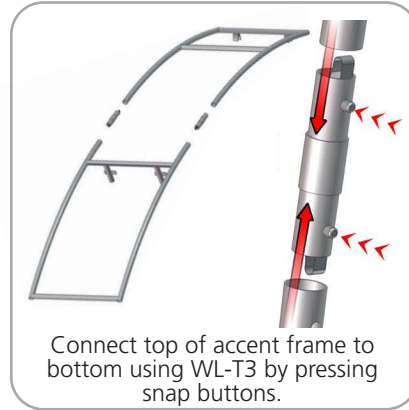


Using hex key turn bolt clockwise to tighten tube clamps, securing graphic header to backwall.

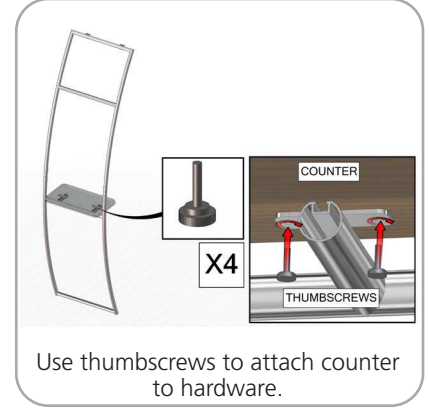
STEP 6: ATTACH LIGHTS



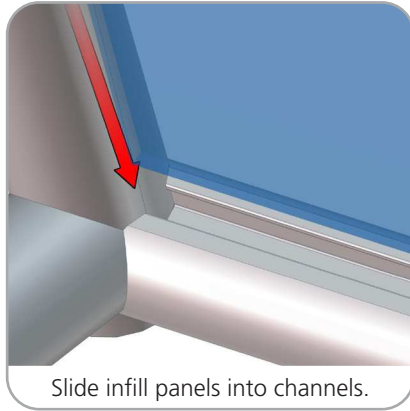
STEP 7: ASSEMBLE STAND-OFF LADDER FRAME



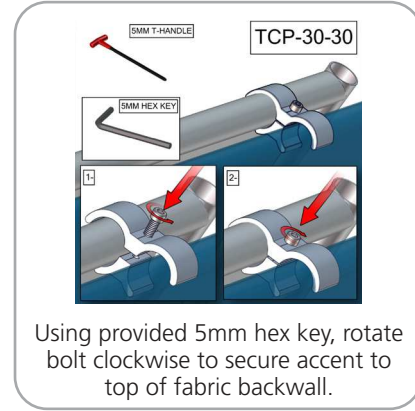
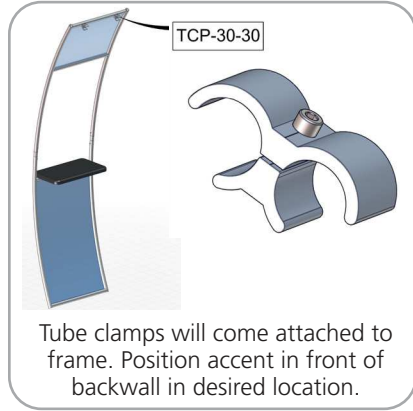
STEP 8: ATTACH COUNTER TO LADDER



STEP 9: ATTACH STAND-OFF LADDER GRAPHICS

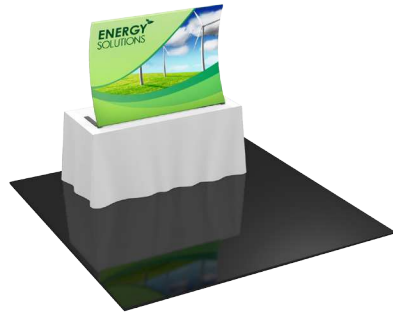


STEP 10: ATTACH LADDER TO BACKWALL WITH CLAMPS



Check out these related products:

The Formulate line is a collection of stylish, ergonomically designed tabletop, 8ft, 10ft, 20ft exhibits, hanging structures, and display accessories. Formulate combines state-of-the-art zipper pillowcase dye-sublimated fabric coverings with a premium lightweight aluminum structure. Formulate is efficient, easy to assemble and disassemble, and offers remarkable style options and choices.



Formulate Tabletops



Formulate 8ft Kits



Formulate 10ft Kits
(Horizontal Curve)



Formulate 10ft Kits
(Vertical Curve)



Formulate 10ft Kits
(Straight)



Formulate 20ft Kits



Formulate Hanging Structures